



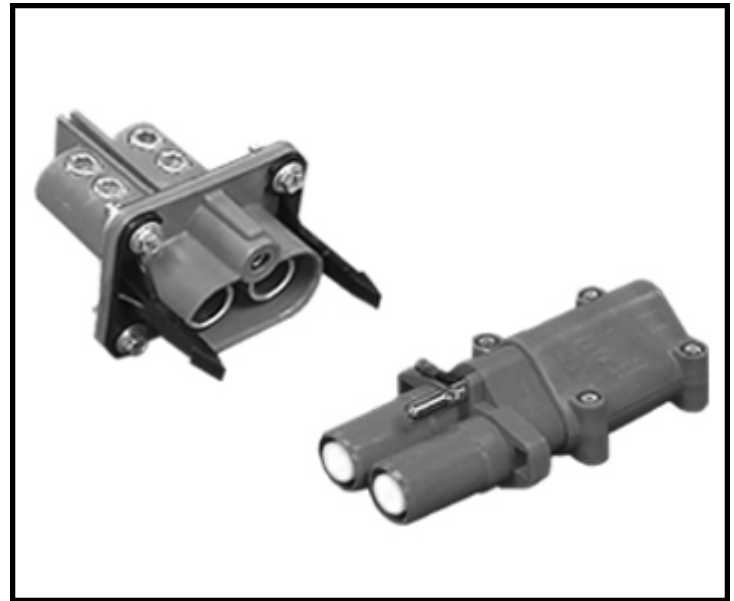
8000 Series Two Pole Plugs

(248) 356-2839

Quick connect, field wirable connectors for larger size cables which allow for high current capacities

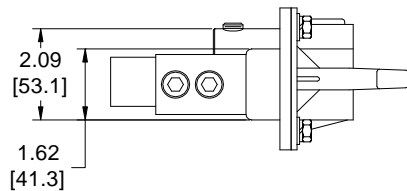
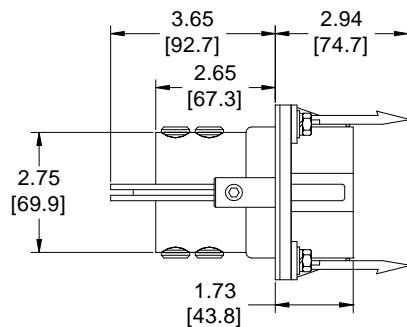
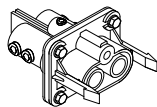
FEATURES

- Quick connection for larger size cables
- Cable range 4/O AWG– 4 AWG
- Field wirable w/ no special tools required
- ‘Finger Tipped’ insulated male contacts for the ultimate in safety (male is the line end)
- 600 Volt rated
- 460 Amp continuous current capacity
- 90 degree Celsius rated
- Visible locking mechanism
- Variety of standard colors
- ‘Value Added’ services available– power distribution assemblies, cable assemblies, etc.

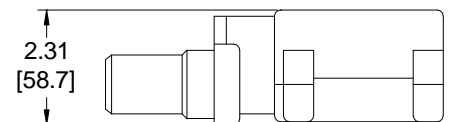
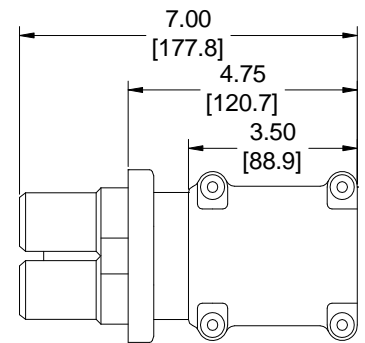
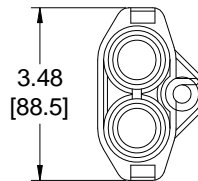
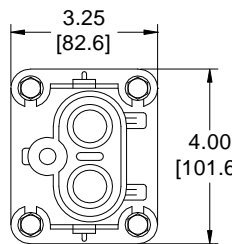
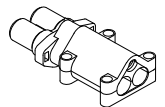


DIMENSIONS

Female Contact (load side)



Male Contact (line side)



Units of Measure: inches [mm]

Notice: The information contained herein is, to the best of our knowledge, true, accurate and reliable. Since procedures and conditions under which these products may be used are beyond our control, no warranty, expressed or implied, is made to their performance.



Syndevco Inc.
ISO 9001:2008
Certificate #
10002227 QM08

Syndevco Inc.

Sheet: 141114

24205 Telegraph Rd - Southfield MI 48033

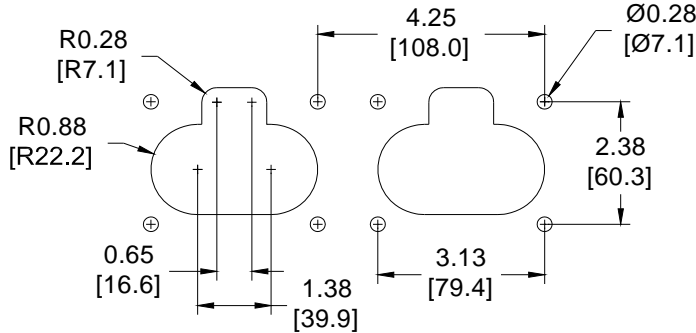
Toll Free: (800) 356-2839 Local: (248) 356-2839 Fax: (248) 356-0928

visit us at: www.syndevco.com



8000 Series Two Pole Plugs

MOUNTING DIMENSIONS—FEMALE RECEPTACLE

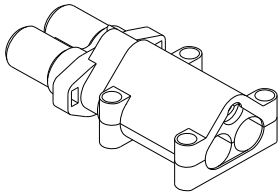


Units of measure: inches [mm]

PART NUMBERING

**Male Contact
(line side)**

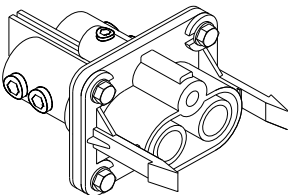
GENERIC PART NUMBER: 83WXX-Y-Z
SAMPLE PART NUMBER: 8322G-O



W		XX		Y		Z
CONDUCTOR RANGE		STRAIN RELIEF		COLOR		ADDITIONAL OPTIONS
2	4/0 AWG- 1/0 AWG	0G	2/0 AWG Flat Oval Cable	O	Orange	Leave blank for none or see a Syndevco Representative for further options
3	1/0 AWG- 4 AWG	1G	4/0 AWG Flat Oval Cable	Y	Yellow	
See a Syndevco Representative for further options		2G	2 individual 7/8 in diameter	R	Red	
		3G	2 individual 3/4 in diameter	W	White	
		4G	2 individual 5/8 in diameter	B	Black	
		5G	2 individual 1/2 in diameter	See a Syndevco Representative for further options		
		See a Syndevco Representative for further options				

**Female Contact
(load side)**

GENERIC PART NUMBER: 84XX-Y-Z
SAMPLE PART NUMBER: 8420-O



84	XX		Y		Z
	CONDUCTOR TYPE		COLOR		ADDITIONAL OPTIONS
	QTY	WIRE RANGE			
20	1	4/0 AWG- 1/0 AWG	O	Orange	Leave blank for none or see a Syndevco Representative for further options
30	1	1/0 AWG- 4 AWG	Y	Yellow	
40	4	2 AWG- 14 AWG	R	Red	
60	6	2 AWG- 14 AWG	W	White	
80	2	4/0 AWG-1/0 AWG	B	Black	
See a Syndevco Representative for further options			See a Syndevco Representative for further options		

Notice: The information contained herein is, to the best of our knowledge, true, accurate and reliable. Since procedures and conditions under which these products may be used are beyond our control, no warranty, expressed or implied, is made to their performance.



Syndevco Inc.

24205 Telegraph Rd - Southfield MI 48033

Toll Free: (800) 356-2839 Local: (248) 356-2839 Fax: (248) 356-0928

visit us at: www.syndevco.com