



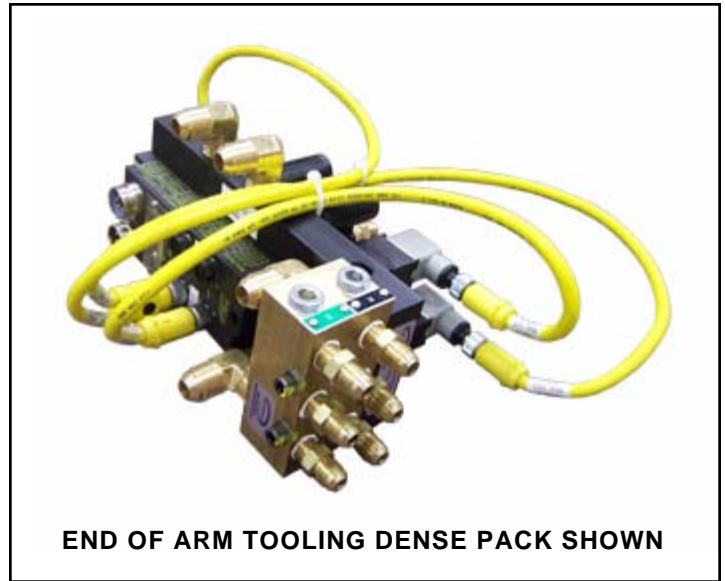
Densification Packages (Dense Packs)

(248) 356-2839

Compact packages with air, water, and controls– or any combinations of– to assist in controlling weld guns and/or EOAT (end of arm tooling)

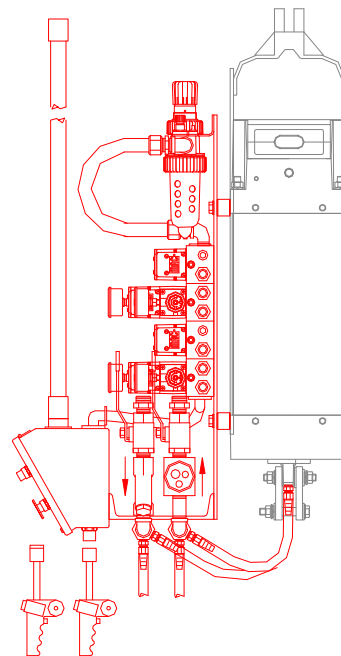
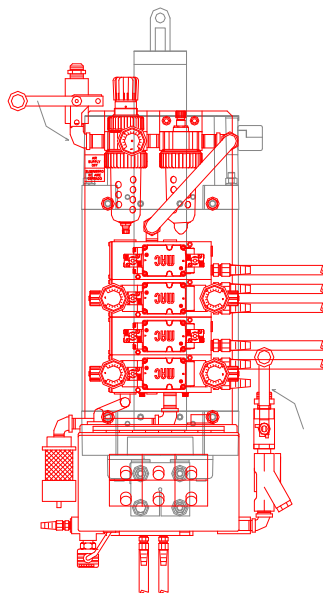
FEATURES

- Compact, space efficient designs
- Standard or custom designs available
- Mounting for
 - Manual Guns
 - Robot Arm Mount
 - Robot Hip Mount
 - Robot EOAT (end of arm tooling) Mount
- Many Configurations (limited examples listed)
 - Transgun
 - Cable gun (portable)
 - Pedestal gun
 - Material handler
 - Combo units
- Controls [VAC, VDC, discrete and serial I/O]
- Pneumatic [shut offs, air prep, valves (weld, retract, MH, vacuum, tool changing, etc), exhaust]
- Water [shut offs, water control valves, manifolds, sensors, indicators, etc.]
- ‘Value Added’ services available
- Dressout assistance readily available



END OF ARM TOOLING DENSE PACK SHOWN

MANUAL GUN DENSE PACK (EXAMPLE)



Notice: The information contained herein is, to the best of our knowledge, true, accurate and reliable. Since procedures and conditions under which these products may be used are beyond our control, no warranty, expressed or implied, is made to their performance.



Syndevco Inc.
ISO 9001:2008
Certificate #
10002227 QM08

Syndevco Inc.

Sheet: 141114

24205 Telegraph Rd - Southfield MI 48033

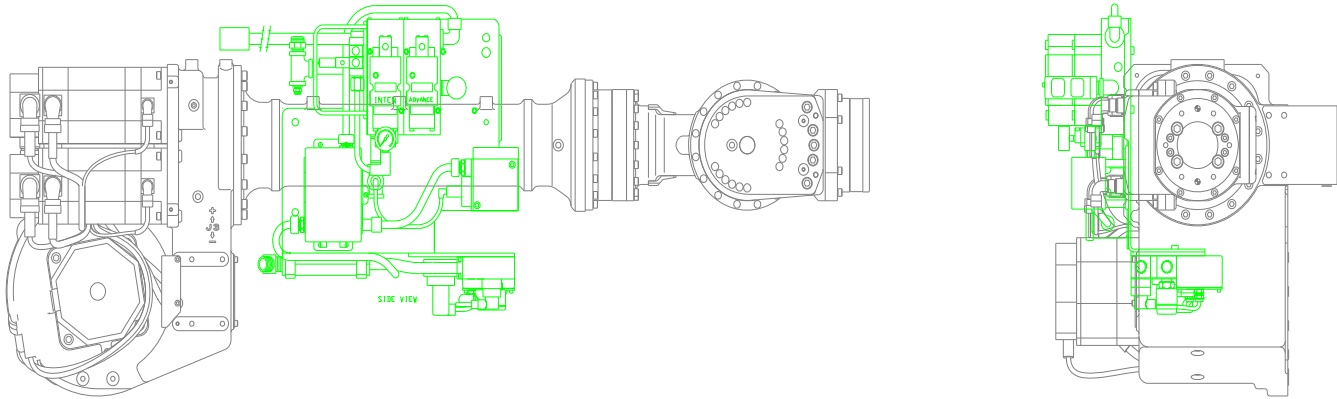
Toll Free: (800) 356-2839 Local: (248) 356-2839 Fax: (248) 356-0928

visit us at: www.syndevco.com

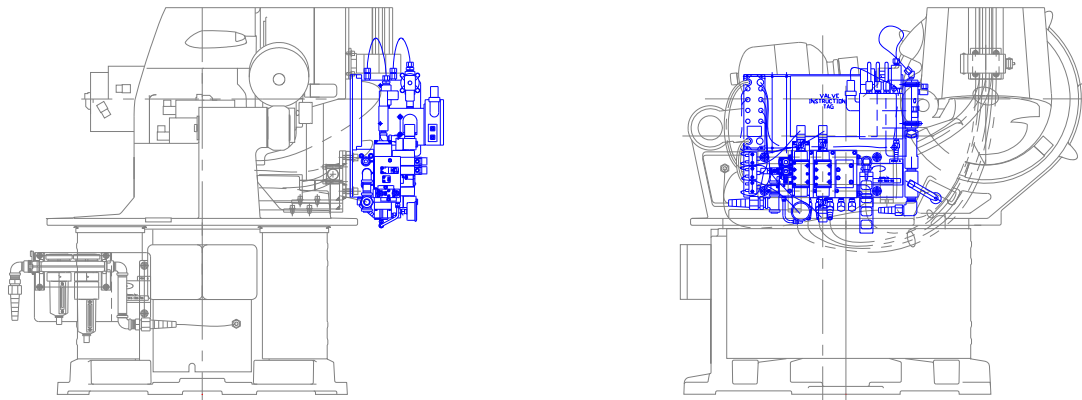


Densification Packages (Dense Packs)

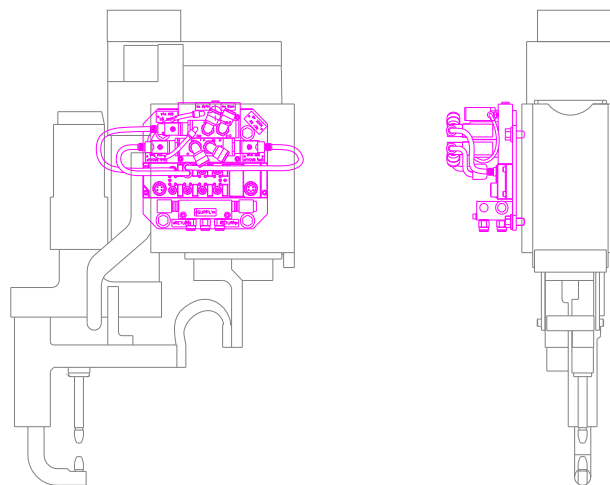
ROBOT ARM MOUNT DENSE PACK (EXAMPLE)



ROBOT HIP MOUNT DENSE PACK (EXAMPLE)



ROBOT END OF ARM TOOLING DENSE PACK (EXAMPLE)



Notice: The information contained herein is, to the best of our knowledge, true, accurate and reliable. Since procedures and conditions under which these products may be used are beyond our control, no warranty, expressed or implied, is made to their performance.



Syndevco Inc.
ISO 9001:2008
Certificate #
10002227 QM08

Syndevco Inc.

24205 Telegraph Rd - Southfield MI 48033

Toll Free: (800) 356-2839 Local: (248) 356-2839 Fax: (248) 356-0928

visit us at: www.syndevco.com