



# Spring Retract Robot Dress Solution

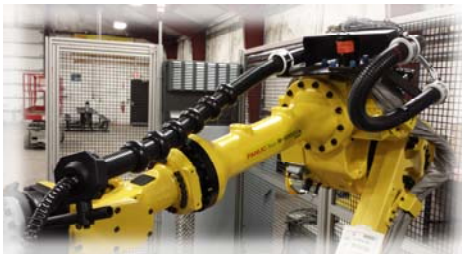
(248) 356-2839

*Easy and minimal adjustments to match configuration and robot path of highly articulating robots*

## FEATURES

- Offers superior protection of utilities
- Minimal amount of labor required to match configuration and robot path
- Very close to robot arm to limit obstruction
- Best solution for very high articulating robots
- Easy replacement of hose or cable
- Allows flexibility to rearrange routing to match robot path and avoid fixtures
- Increased cable/ hose life
- Decreased downtime
- Robot Dress assistance readily available
- 'Value added' services available

### Small Frame Spring Retract



- 18 inches (457mm) of stored router

#### Step 1 Choose Offset Side

- Left
- Right

#### Step 2 Choose Router Diameter

- Less than 36mm
- Less than 29mm
- Less than 23mm

#### Step 3 Identify robot man- ufacturer and model

#### Step 4 Identify utility bundle

- Complete utilities  
or
- Bundle diameter

### Medium Frame Spring Retract



- 23 inches (584mm) of stored router

#### Step 1 Choose Offset Side

- Left
- Right

#### Step 2 Choose Router Diameter

- Less than 70mm
- Less than 56mm
- Less than 48mm

#### Step 3 Identify robot man- ufacturer and model

#### Step 4 Identify utility bundle

- Complete utilities  
or
- Bundle diameter

### Large Frame Spring Retract



- 26 inches (660mm) of stored router

#### Step 1 Choose Offset Side

- Left
- Right

#### Step 2 Choose Router Diameter

- Less than 95mm

#### Step 3 Identify robot man- ufacturer and model

#### Step 4 Identify utility bundle

- Complete utilities  
or
- Bundle diameter

Notice: The information contained herein is, to the best of our knowledge, true, accurate and reliable. Since procedures and conditions under which these products may be used are beyond our control, no warranty, expressed or implied, is made to their performance.



Syndevco Inc.  
ISO 9001:2015  
Certificate #  
10002227 QM15

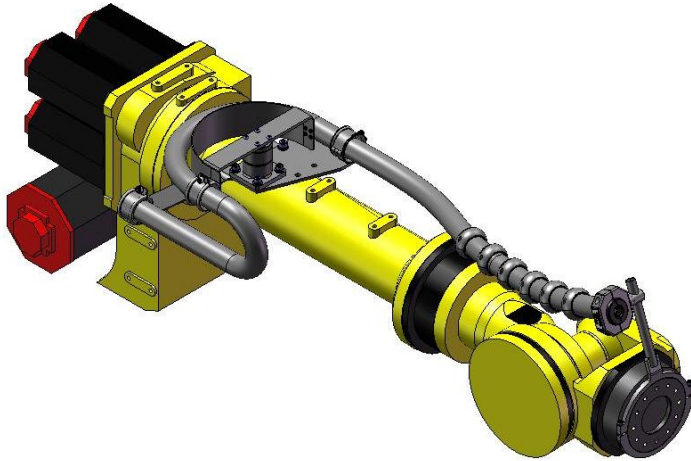
## Syndevco Inc.

24205 Telegraph Rd - Southfield MI 48033  
Toll Free: (800) 356-2839 Local: (248) 356-2839 Fax: (248) 356-0928  
visit us at: [www.syndevco.com](http://www.syndevco.com)



# Spring Retract Robot Dress Solution

## EXAMPLES



### Small Frame Spring Retract (as shown)

- Right Hand
- Router—36mm
- Fanuc R2000iB-210 Robot

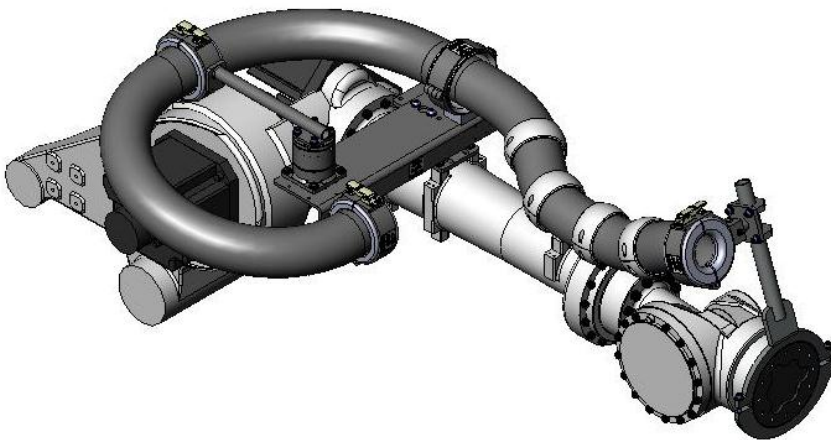
### Medium Frame Spring Retract (as shown)

- Right Hand
- Router—70mm
- Motoman MH180 Robot



### Large Frame Spring Retract (as shown)

- Right Hand
- Router—95mm
- Kawasaki ZXE300S Robot



Notice: The information contained herein is, to the best of our knowledge, true, accurate and reliable. Since procedures and conditions under which these products may be used are beyond our control, no warranty, expressed or implied, is made to their performance.



**Syndevco Inc.**

Sheet: 141114

24205 Telegraph Rd - Southfield MI 48033

Toll Free: (800) 356-2839 Local: (248) 356-2839 Fax: (248) 356-0928

visit us at: [www.syndevco.com](http://www.syndevco.com)