



Basket Assemblies

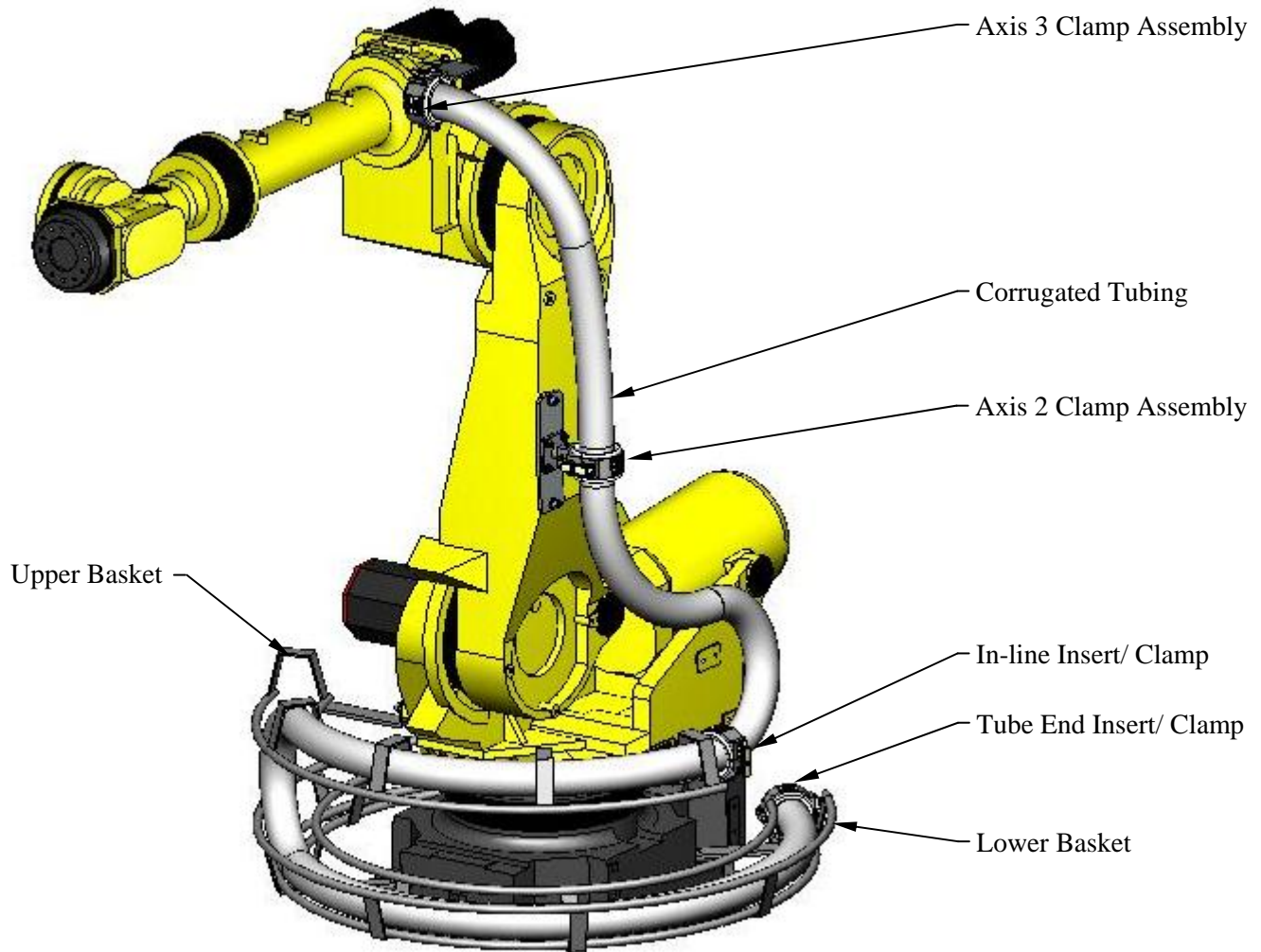
(248) 356-2839

Rigid, light weight brackets to use with utility clamps to route utilities around the robot base (Axis-1)

FEATURES

- Allows flexibility for 360 degree movement around the robot base
- Secures and protects utilities while robot rotates
- Maintains minimum bend radius
- Decrease downtime
- Easy to install
- Use with SH, UH and LH series utility clamps
- Robot Dress Assistance readily available
- 'Value added' services available

USAGE EXAMPLE



Notice: The information contained herein is, to the best of our knowledge, true, accurate and reliable. Since procedures and conditions under which these products may be used are beyond our control, no warranty, expressed or implied, is made to their performance.



Syndevco Inc.
ISO 9001:2015
Certificate #
10002227 QM15

Syndevco Inc.

Sheet: 141114

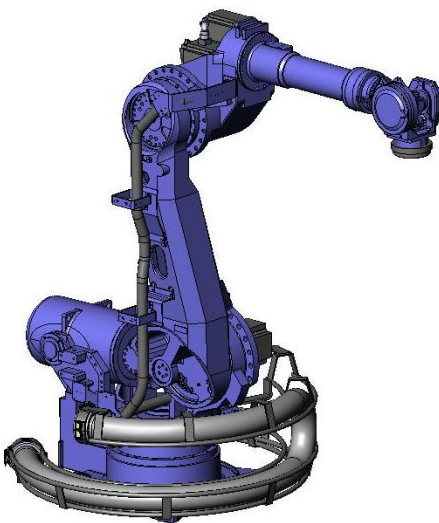
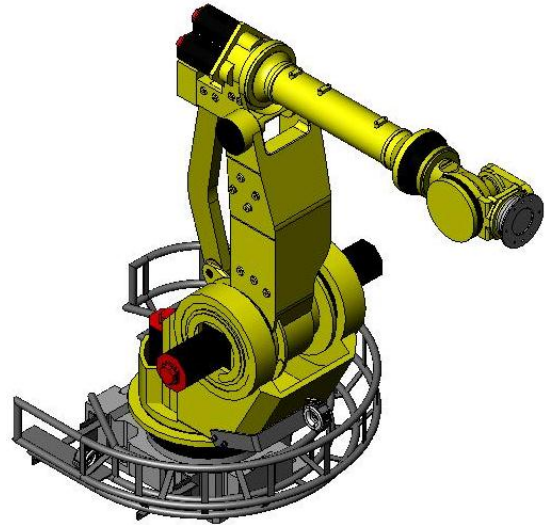
24205 Telegraph Rd - Southfield MI 48033

Toll Free: (800) 356-2839 Local: (248) 356-2839 Fax: (248) 356-0928

visit us at: www.syndevco.com



Basket Assemblies



Notice: The information contained herein is, to the best of our knowledge, true, accurate and reliable. Since procedures and conditions under which these products may be used are beyond our control, no warranty, expressed or implied, is made to their performance.



Syndevco Inc.
ISO 9001:2015
Certificate #
10002227 QM15

Syndevco Inc.

24205 Telegraph Rd - Southfield MI 48033

Toll Free: (800) 356-2839 Local: (248) 356-2839 Fax: (248) 356-0928

visit us at: www.syndevco.com