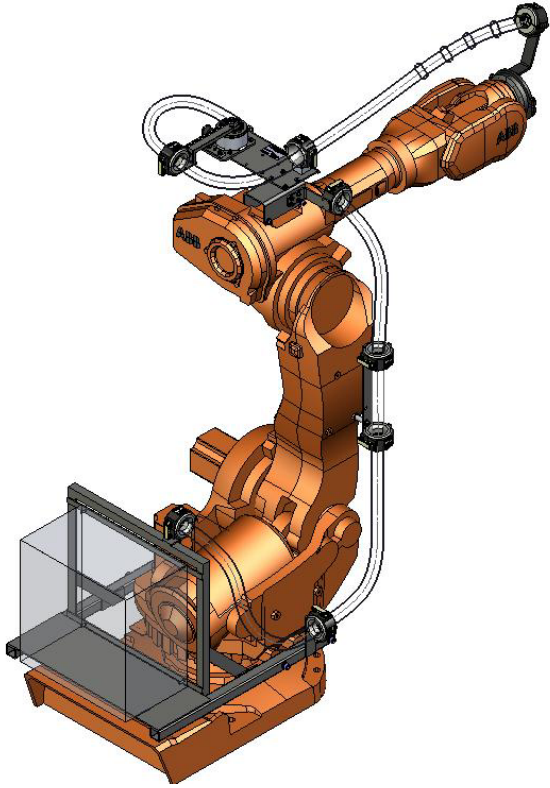




Engineering & Dress Consultation

CUSTOM DESIGNS



Dressout Axis 1 to Axis 6

- Spring Retract Dress solution
- Axis 1 to Axis 3 created for application
- Control Assembly mounted on Axis 1

DRESS CONSULTATION

On- Site

- Quick visit to view robot path

Remote- Video Consultation

- Video sent of robot with dress issues– excess wear/ downtime
- Dress is evaluated by Syndevco engineers- typically 2 recommendations are given:
 - engineered solution
 - components to improve dress
- Saves time as video can be sent via e-mail at anytime

engineering@syndevco.com



Notice: The information contained herein is, to the best of our knowledge, true, accurate and reliable. Since procedures and conditions under which these products may be used are beyond our control, no warranty, expressed or implied, is made to their performance.



Syndevco Inc.
ISO 9001:2015
Certificate #
10002227 QM15

Syndevco Inc.

24205 Telegraph Rd - Southfield MI 48033

Toll Free: (800) 356-2839 Local: (248) 356-2839 Fax: (248) 356-0928

visit us at: www.syndevco.com