



Gimbal Assembly

(248) 356-2839

Gimbals used in conjunction with SH and UH Series Clamps offer strain relief for corrugated tubing

FEATURES

- Use with Utility Clamps – **Small** and **Medium**
- Color– Black
- Provides additional strain relief for corrugated tubing at joint & connection point
- Approximately 20° orbital pivot capability
- Allows corrugated tube 360° of rotation
- Reduces torsional stress
- Many configurations available
- Custom requirements easily met
- Robot Dress assistance readily available



SMALL & MEDIUM CLAMP CONFIGURATIONS

Small Gimbal (UH style clamp)



Corrugated Tube Sizes:

- 36 mm, 29 mm

Small Gimbal Assembly
SHG-C (tube size)- ID mm
Example:
SHG-C36-30-B0P
SHG-C29-20-B0P

Gimbal Clamp only
SHG-B0P (Post Mount)

Gimbal Insert only
SHG-C36-30
SHG-C29-20

Medium Gimbal (UH style clamp)



Corrugated Tube Size:

- 70 mm, 56 mm, 48 mm

Medium Gimbal Assembly
UHG-C (tube size)- ID mm
Example:
UHG-C70-50
(Includes 50mm diameter grommet)

Gimbal Grommet only
xx = diameter in mm every 2mm

UGI-C70-xx
Example:
UGI-C70-50

Notice: The information contained herein is, to the best of our knowledge, true, accurate and reliable. Since procedures and conditions under which these products may be used are beyond our control, no warranty, expressed or implied, is made to their performance.



Syndevco Inc.
ISO 9001:2015
Certificate #
10002227 QM15

Syndevco Inc.

Sheet: 141114

24205 Telegraph Rd - Southfield MI 48033
Toll Free: (800) 356-2839 Local: (248) 356-2839 Fax: (248) 356-0928
visit us at: www.syndevco.com



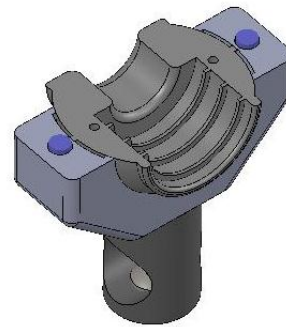
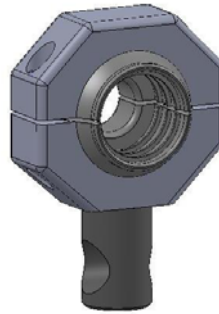
Gimbal Assembly

GIMBAL ASSEMBLY CONFIGURATIONS

Small Gimbal SHG-C36-30-B0P

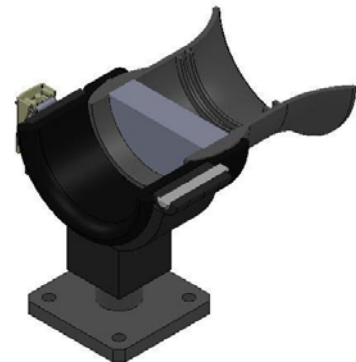
shown

1pc SHG-B0P
1pc SHG-C36-30



Medium Gimbal UHG-C70-50 shown

with 1pc
UHC-AF-SB-F0-057
Clamp Assembly
(2" wide clamp)
Clamp sold separately



MEDIUM GIMBAL PICTURE EXAMPLE



Notice: The information contained herein is, to the best of our knowledge, true, accurate and reliable. Since procedures and conditions under which these products may be used are beyond our control, no warranty, expressed or implied, is made to their performance.



Syndevco Inc.
ISO 9001:2015
Certificate #
10002227 QM15

Syndevco Inc.

24205 Telegraph Rd - Southfield MI 48033

Toll Free: (800) 356-2839 Local: (248) 356-2839 Fax: (248) 356-0928

visit us at: www.syndevco.com