



Robot Face Plate Spacers

(248) 356-2839

Spacers used when robot face plates are not thick enough to use an Axis 6 (SD or RDD) bracket

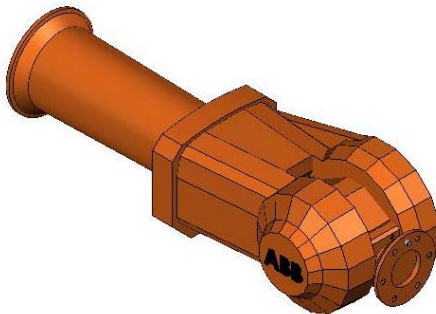
FEATURES

- Spaces tool from robot face plate to allow mounting of secondary brackets
- Steel or Aluminum construction
- Two locating points– boss and dowel or two dowels
- Use to mount SD or RDD series Brackets where needed
- Robot Dress assistance readily available
- ‘Value added’ services available



USAGE EXAMPLE

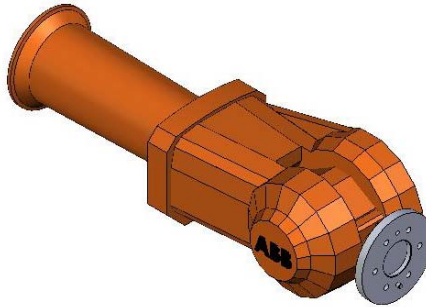
Before



Robot Wrist

- Not enough room to mount an Axis 6 bracket for dressout purposes

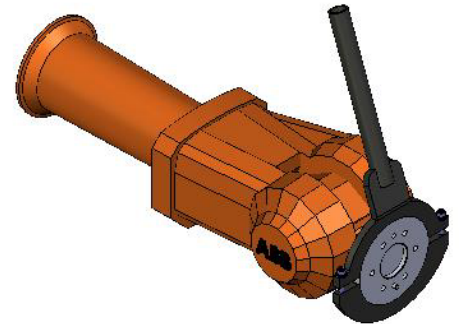
After



Robot Wrist w/ Spacer

- Spacer is placed between tool and robot face plate (tool not shown)

In use



Robot Wrist w/ Spacer and Axis 6 Bracket

- Spacer allows the Axis 6 bracket to be mounted– assisting in a successful dressout

Notice: The information contained herein is, to the best of our knowledge, true, accurate and reliable. Since procedures and conditions under which these products may be used are beyond our control, no warranty, expressed or implied, is made to their performance.



Syndevco Inc.
ISO 9001:2015
Certificate #
10002227 QM15

Syndevco Inc.

Sheet: 141114

24205 Telegraph Rd - Southfield MI 48033

Toll Free: (800) 356-2839 Local: (248) 356-2839 Fax: (248) 356-0928

visit us at: www.syndevco.com

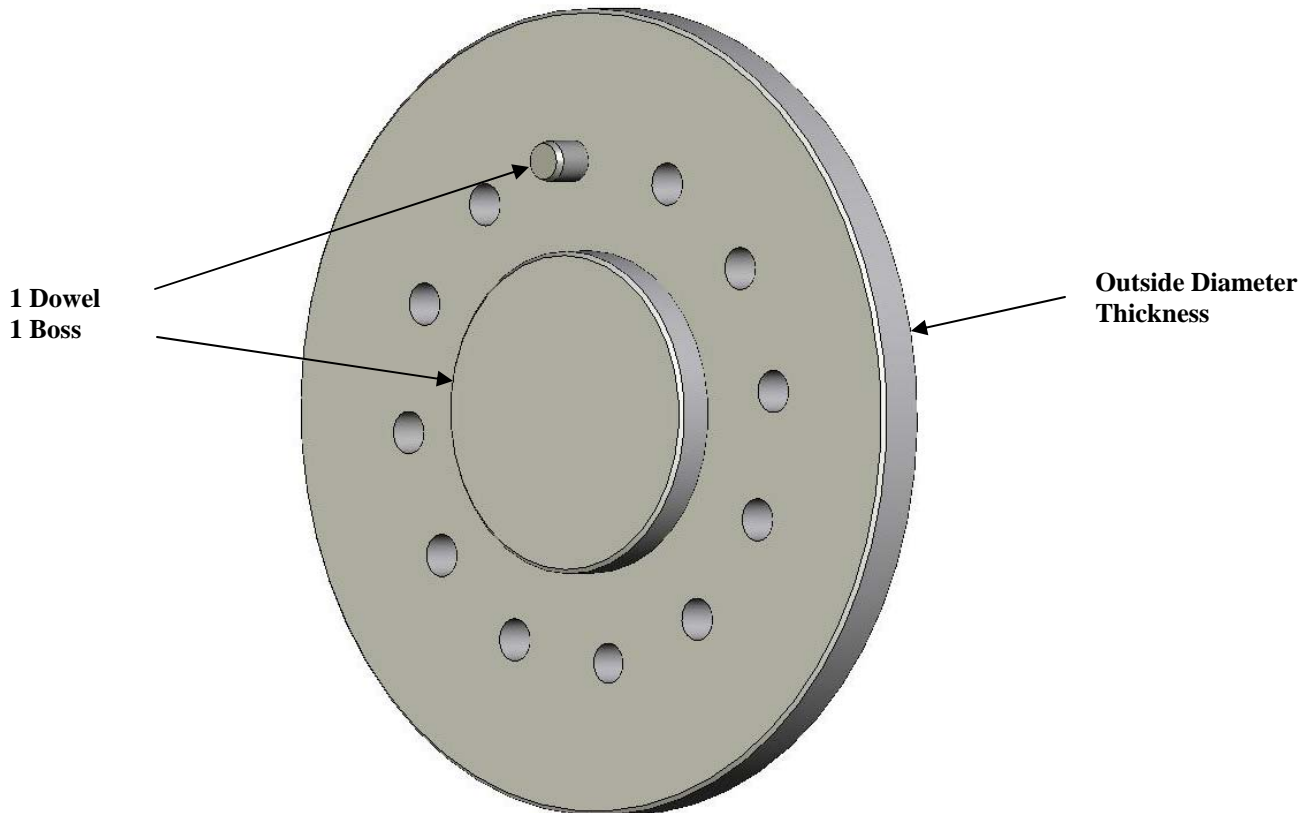


Robot Face Plate Spacers

Part Numbering

| | Step 1 Define Robot Manufacturer and Model | Step 2 Choose material and finish | Step 3 Choosing Locating Style | Step 4 Define Outside Diameter | Step 5 Define Thickness (after mounting) (in mm) | | |
|------|--|---|--------------------------------------|--------------------------------------|---|---------------------------|---|
| FPS- | UUU | V | W | XXX | YYY | Z | |
| | Robot | Material and Finish | Locating Style | Outside Diameter (in mm) | Thickness (in mm) | Additional Options | |
| | See a Syndevco Representative for the 3 digit designation | S Steel no finish | A 1 boss 1 dowel | Example | | Example | See a Syndevco Representative for further options |
| | | T Steel Oxide- Black | B 2 dowel | 160 | 160 mm | 010 10 mm use with RDD | |
| | | A Aluminum no finish | | 200 | 200 mm | 013 13 mm use with SD | |
| | | B Aluminum Anodized-Black | | | | | |

SAMPLE PART NUMBER: FPS-F1EA-A200/013



Notice: The information contained herein is, to the best of our knowledge, true, accurate and reliable. Since procedures and conditions under which these products may be used are beyond our control, no warranty, expressed or implied, is made to their performance.



Syndevco Inc.

24205 Telegraph Rd - Southfield MI 48033

Toll Free: (800) 356-2839 Local: (248) 356-2839 Fax: (248) 356-0928

visit us at: www.syndevco.com