



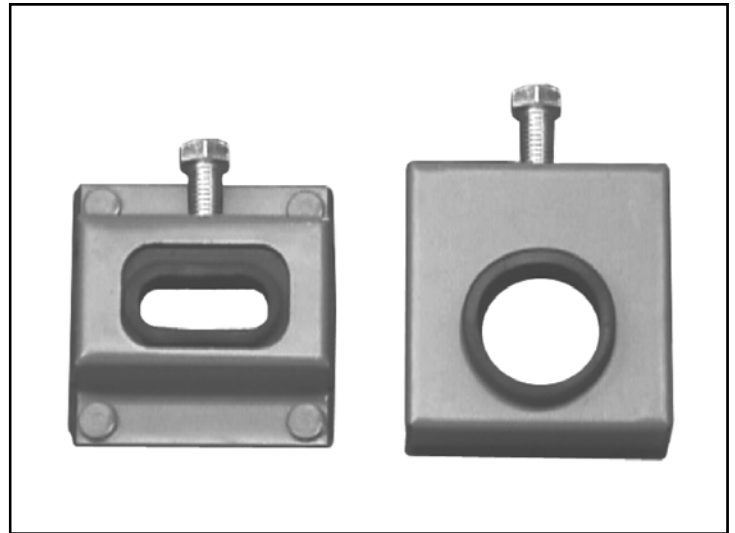
7000 Series Cage Bushings

(248) 356-2839

Provides a cost effective low profile means for power cable entry into an enclosure

FEATURES

- Cost effective
- Low profile
- Good sealing properties
- Excellent pull-out resistance
- Simple clamping mechanism
- Common mount patterns
- Cover plate available
- For oval or round cable

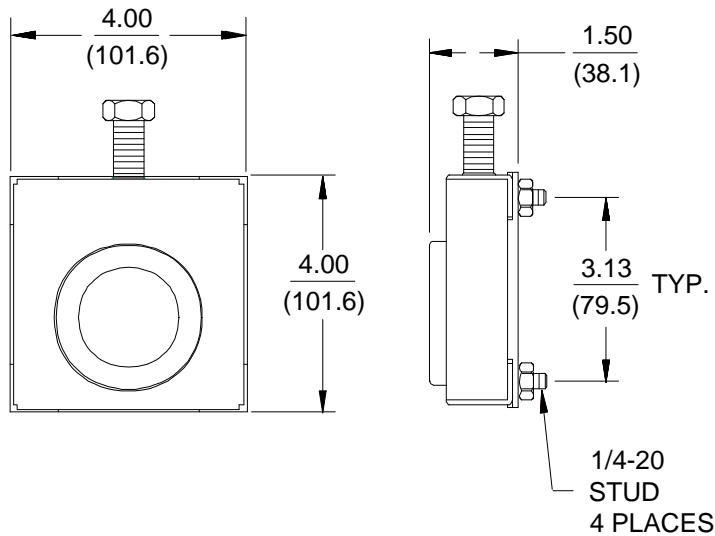


DIMENSIONS ROUND

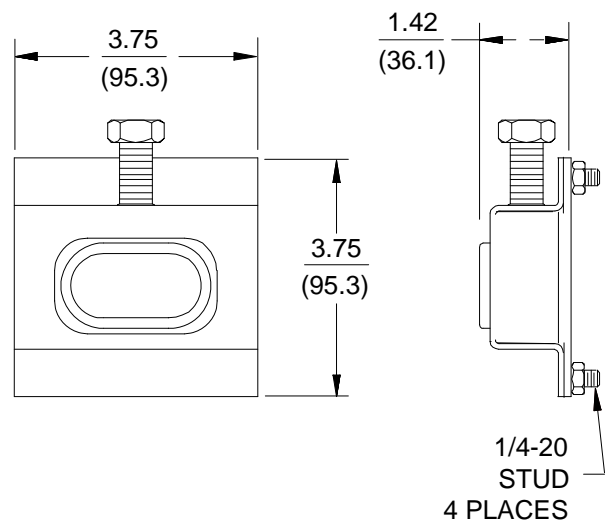
DIMENSIONS OVAL

Units of measure:

inches
[mm]



PART NUMBER SHOWN- 7090



PART NUMBER SHOWN- 7080

Notice: The information contained herein is, to the best of our knowledge, true, accurate and reliable. Since procedures and conditions under which these products may be used are beyond our control, no warranty, expressed or implied, is made to their performance.



Syndevco Inc.
ISO 9001:2015
Certificate #
10002227 QM15

Syndevco Inc.

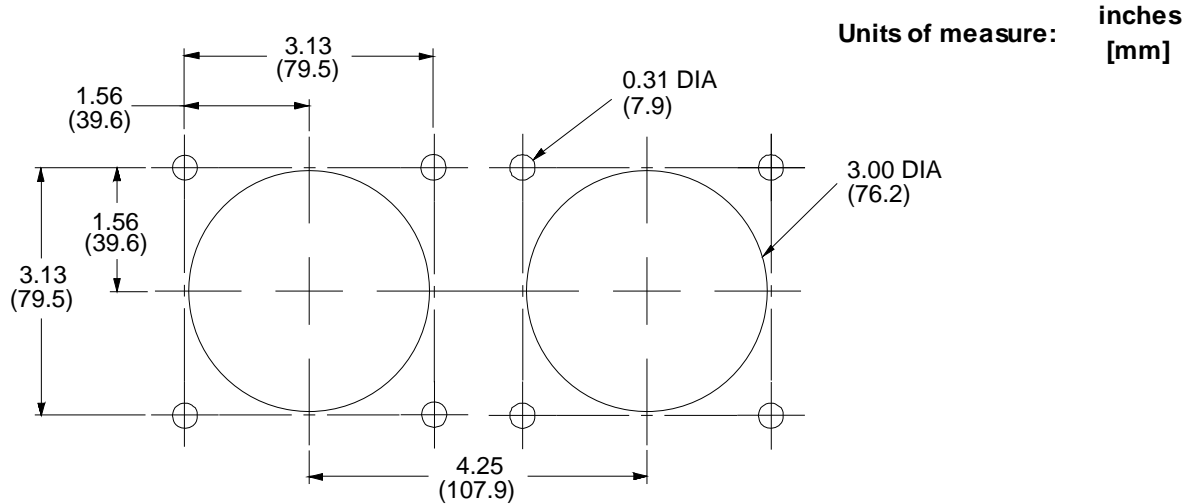
Sheet: 141114

24205 Telegraph Rd - Southfield MI 48033
Toll Free: (800) 356-2839 Local: (248) 356-2839 Fax: (248) 356-0928
visit us at: www.syndevco.com



7000 Series Cage Bushings

MOUNTING HOLE DIMENSIONS



PART NUMBERING

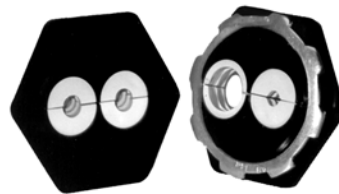
GENERIC PART NUMBER: 70XY-Z
 SAMPLE PART NUMBER: 7080

| 70 | X | | Y | | Z |
|----|---------------|---|---------------------------|--|---|
| | Type of Cable | | Size of Cable | | Additional Options |
| 8 | Oval | 0 | 2- 4/O AWG w/ 1/O AWG Gnd | | Leave blank for none or see a Syndevco Representative for further options |
| | | 4 | 2- 4 AWG w/ 7 AWG Gnd | | |
| 9 | Round | 0 | 2- 4/O AWG w/ 1/O AWG Gnd | | |

Please see our other Strain Relief products for further design solutions



3000 Series
Strain Relief



2490 Series
Split Bushings

Notice: The information contained herein is, to the best of our knowledge, true, accurate and reliable. Since procedures and conditions under which these products may be used are beyond our control, no warranty, expressed or implied, is made to their performance.



Syndevco Inc.
ISO 9001:2015
Certificate # 1000227-QM15

Syndevco Inc.

24205 Telegraph Rd - Southfield MI 48033

Toll Free: (800) 356-2839 Local: (248) 356-2839 Fax: (248) 356-0928

visit us at: www.syndevco.com