



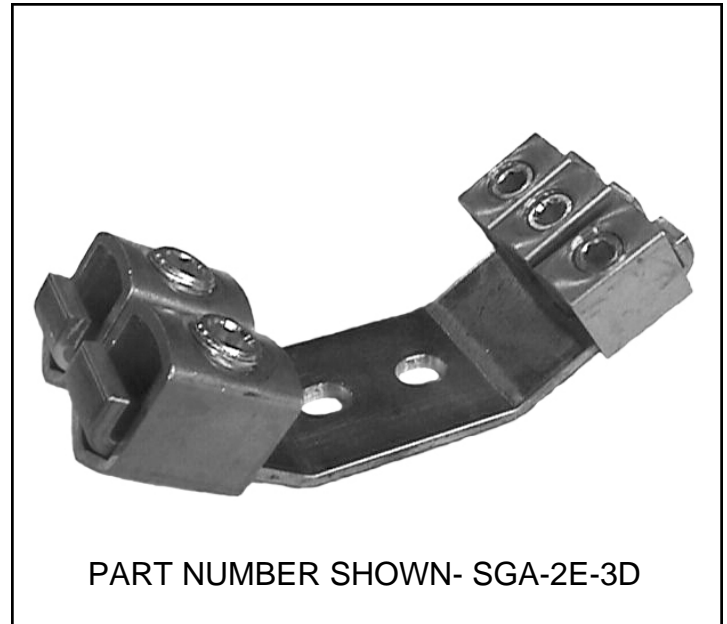
# SGA Series Ground Bar

(248) 356-2839

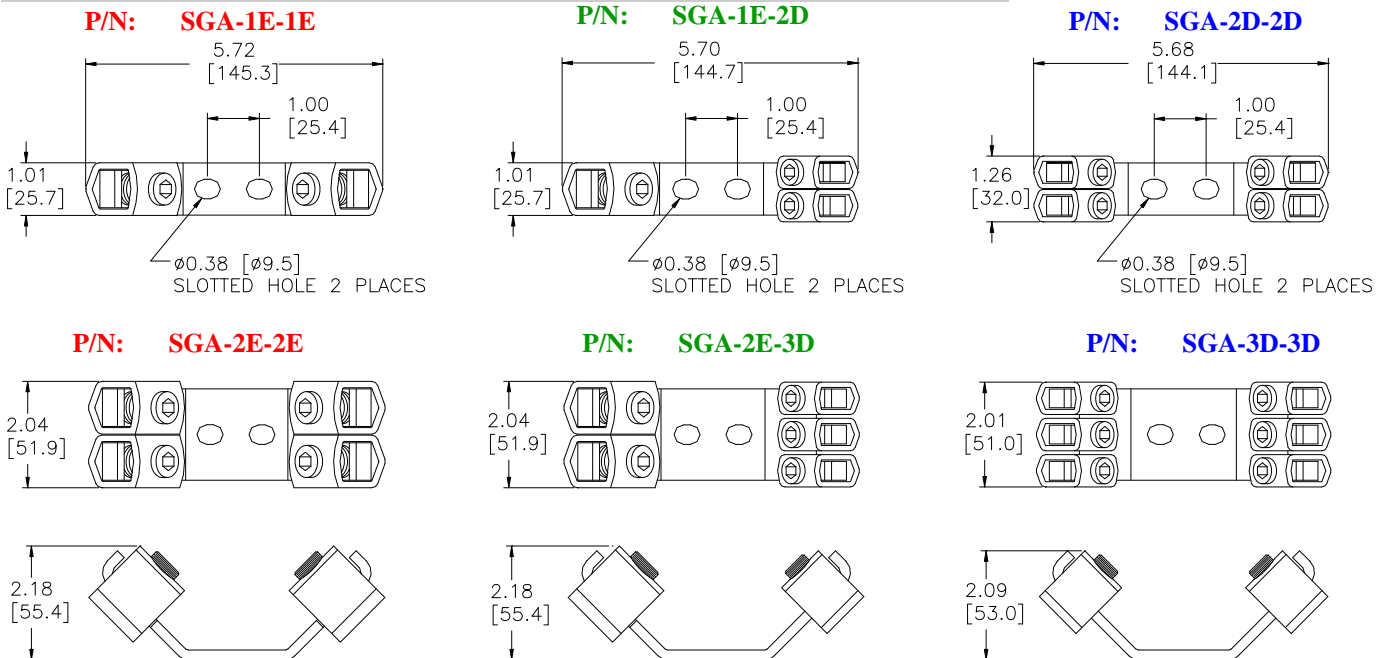
*Multi-point ground bars to keep the integrity of the ground bond. Excellent next to disconnects for main feeds*

## FEATURES

- Copper construction
- 2 to 6 connections
- 300MCM to 6 AWG wire range
- Excellent to use next to primary disconnects as a bond point
- Keep all composite wires the same length
- High Capacity ground also available
- Power distribution assemblies available



## PART NUMBERING & DIMENSIONS



Units of Measure: inches

Notice: The information contained herein is, to the best of our knowledge, true, accurate and reliable. Since procedures and conditions under which these products may be used are beyond our control, no warranty, expressed or implied, is made to their performance.



**Syndevco Inc.** Sheet: 141114  
 24205 Telegraph Rd - Southfield MI 48033  
 Toll Free: (800) 356-2839 Local: (248) 356-2839 Fax: (248) 356-0928  
 visit us at: [www.syndevco.com](http://www.syndevco.com)



# SGA Series Ground Bar

## CONNECTION SPECIFICATIONS

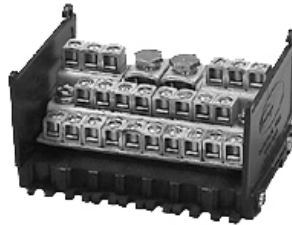
PART NUMBER	LINE		LOAD	
	QTY	WIRE RANGE	QTY	WIRE RANGE
<b>SGA-1E-1E</b>	1	300MCM - 1/O AWG	1	300MCM - 1/O AWG
<b>SGA-2E-2E</b>	2	300MCM - 1/O AWG	2	300MCM - 1/O AWG
<b>SGA-1E-2D</b>	1	300MCM - 1/O AWG	2	1/O AWG - 6 AWG
<b>SGA-2E-3D</b>	2	300MCM - 1/O AWG	3	1/O AWG - 6 AWG
<b>SGA-2D-2D</b>	2	1/O AWG - 6 AWG	2	1/O AWG - 6 AWG
<b>SGA-3D-3D</b>	3	1/O AWG - 6 AWG	3	1/O AWG - 6 AWG

**Please see some of our other products for further design solutions**

For clarity, picture shown w/o cover

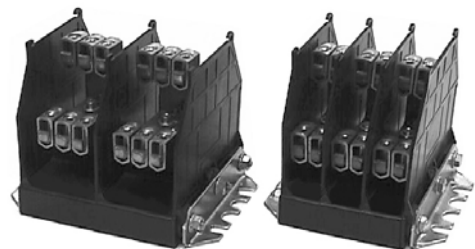


**HCG Series  
High Capacity  
Grounds**



**Stair Step Series  
Compact Power  
Blocks**

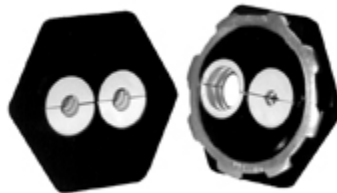
For clarity, picture shown w/o cover



**MB2 and MB3  
Series Power  
Blocks**



**3000 Series  
Strain Aids**



**2490 Series  
Split Bushings**



**7000 Series  
Cage Bushings**

Notice: The information contained herein is, to the best of our knowledge, true, accurate and reliable. Since procedures and conditions under which these products may be used are beyond our control, no warranty, expressed or implied, is made to their performance.



Syndevco Inc.  
ISO 9001:2015  
Certificate #  
1000227 QM15

**Syndevco Inc.**

24205 Telegraph Rd - Southfield MI 48033

Toll Free: (800) 356-2839 Local: (248) 356-2839 Fax: (248) 356-0928

visit us at: [www.syndevco.com](http://www.syndevco.com)