



Stamped Series Compact Power Blocks

(248) 356-2839



Copper construction design for larger size wires with a collar to protect fine stranded wires.

FEATURES

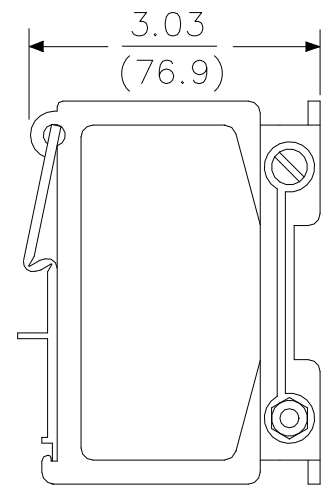
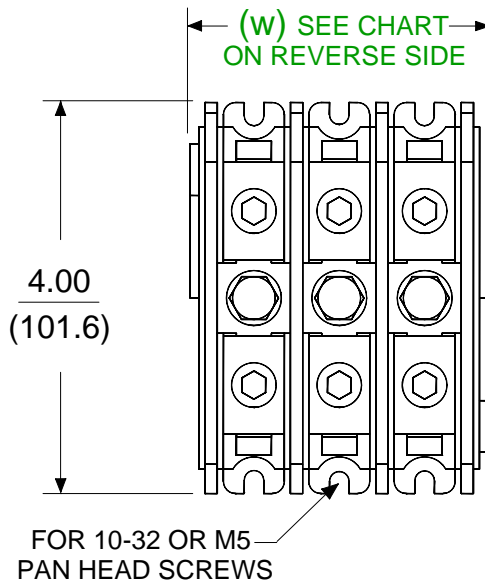
- UL recognized components, Guide XCFR2, File E68623
- C-UL recognized components, Guide XCFR8, File E68623
- Copper construction
- Compact size
- Designed with collars to protect fine stranded wires
- Units are completely assembled
- Units are supplied with hinged "dead front" cover
- Units are labeled with "DANGER 480/575 VOLTS"
- 94VO rating (flammability - self extinguishing)
- 600 VOLT rated
- Rated to 105° Celsius
- Up to 300 AMP rating - continuous
- Custom configurations readily available
- "Value added" services are available



For clarity, picture shown w/o cover or end barrier

DIMENSIONS

UNIT OF MEASUREMENT $\frac{\text{in}}{\text{(mm)}}$



PART NUMBER SHOWN - CPB-SN-03

Notice: The information contained herein is, to the best of our knowledge, true, accurate and reliable. Since procedures and conditions under which these products may be used are beyond our control, no warranty, expressed or implied, is made to their performance.



Syndevco Inc.
ISO 9001:2015
Certificate #
1000227 QM15

Syndevco Inc.

Sheet: 141114

24205 Telegraph Rd - Southfield MI 48033

Toll Free: (800) 356-2839 Local: (248) 356-2839 Fax: (248) 356-0928

visit us at: www.syndevco.com



Stamped Series Compact Power Blocks

PART NUMBER SYSTEM



GENERIC PART NUMBER : CPB - **XXX** - YY - Z

SAMPLE PART NUMBER : CPB - ST3 - 02

CPB-	XXX	YY	Z
	COPPER NUMBER	NUMBER OF POLES	ADDITIONAL OPTIONS
	SEE CHART BELOW	CHOOSE 01 - 99	LEAVE BLANK FOR NONE OR SEE A SYNDEVCO REPRESENTATIVE

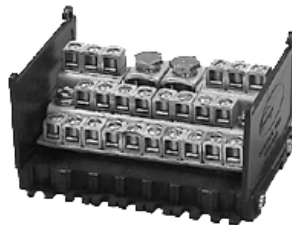
LINE		LOAD		COPPER NUMBER XXX	WIDTH DIMESION (w) inches (mm)				AMPS PER POLE (CONTINUOUS)
#	WIRE RANGE	#	WIRE RANGE		1 POLE	2 POLE	3 POLE	ADDITIONAL POLES	
1	300 MCM-1/O AWG	1	300 MCM - 1/O AWG	AM3	1.81 (45.9)	3.18 (80.8)	4.56 (115.7)	1.375 (34.9)	285
		2	1/O AWG - 6 AWG	SM3					
2	1/O AWG-4 AWG	2	1/O AWG - 6 AWG	ST3	1.81 (45.9)	3.18 (80.8)	4.56 (115.7)	1.375 (34.9)	300
1	1/O AWG-6 AWG	1	1/O AWG - 6 AWG	SN	1.31 (33.2)	2.18 (55.4)	3.06 (77.6)	0.875 (22.2)	150

Please see some of our other products for further design solutions

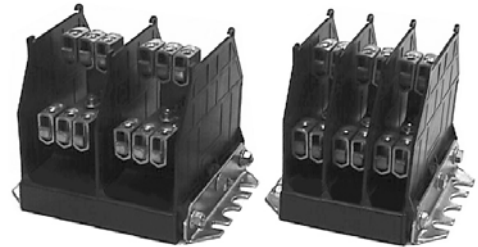
For clarity, pictures shown w/o cover



Machined Series



Stair Step Series



MB2 and MB3 Series

Notice: The information contained herein is, to the best of our knowledge, true, accurate and reliable. Since procedures and conditions under which these products may be used are beyond our control, no warranty, expressed or implied, is made to their performance.



Syndevco Inc.
ISO 9001:2015
Certificate #
11002227 QM15

Syndevco Inc.

24205 Telegraph Rd - Southfield MI 48033

Toll Free: (800) 356-2839 Local: (248) 356-2839 Fax: (248) 356-0928

visit us at: www.syndevco.com