



Robot Dress Brackets

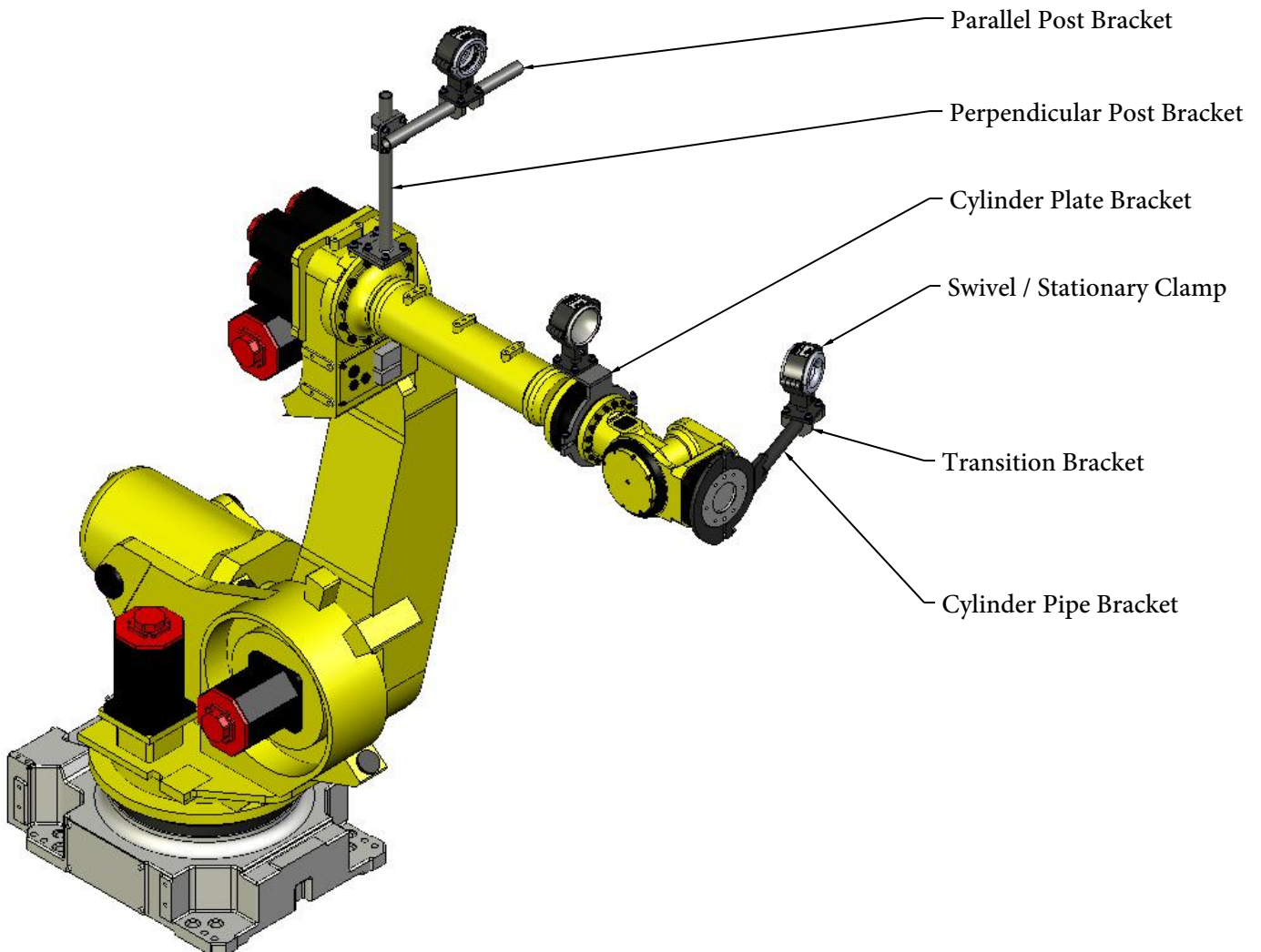
(248) 356-2839

Rigid, light weight brackets used with utility clamps to route utilities to the EOAT (End Of Arm Tooling)

Features

- Allows flexibility to rearrange utility routings to match application
- Decrease downtime
- Easy to use and reposition
- Secure non-slip mount of cylinder brackets
- Use with **SH**, **TH**, **UH** and **LH** series utility clamps
- Robot Dress Assistance readily available
- 'Value added' services available

Usage Example (SA & SD Brackets with UH clamps and Inserts shown below)



Notice: The information contained herein is, to the best of our knowledge, true, accurate and reliable. Since procedures and conditions under which these products may be used are beyond our control, no warranty, expressed or implied, is made to their performance.



Syndevco Inc.

Sheet: 141114

24205 Telegraph Rd - Southfield MI 48033

Toll Free: (800) 356-2839 Local: (248) 356-2839 Fax: (248) 356-0928

visit us at: www.syndevco.com



Robot Dress Brackets

Post Brackets



Perpendicular

RDA-R1-F0-250

SAA-R1-F0-460



Parallel

RDA-R1-F1-250

SAA-R1-F1-460

Mounting Hole Pattern

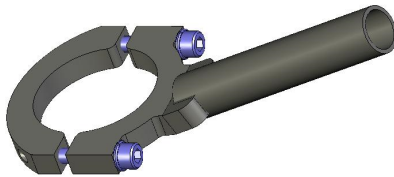
RD Series

7mm thru
31.8 mm
square c-c

SA Series

11mm thru
60 mm
square c-c

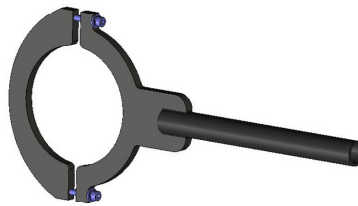
Cylinder - Pipe Bracket



Angled (20 degree)

RDD-R3-(diameter)-250

SDR3-(diameter)-460



Straight

RDD-R1-(diameter)-250

SDR1-(diameter)-460

Thickness

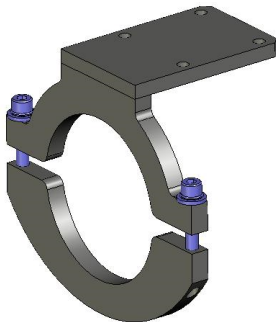
RD Series

3/8 in
9.5 mm

SD Series

1/2 in
12.7 mm

Cylinder - Plate Bracket



RDD-F1- (diameter) - (Syndevco assigned)

SDF1- (diameter) - (Syndevco assigned)

Thickness

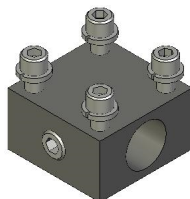
RD Series

3/8 in
9.5 mm

SD Series

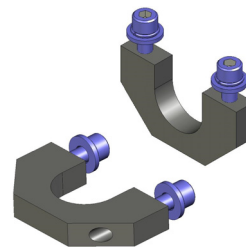
1/2 in
12.7 mm

Transition Brackets



RD Series

RDB-A-C



**Medium/ Large
SAB-A-C**

Typically 2 pcs required per application

Notice: The information contained herein is, to the best of our knowledge, true, accurate and reliable. Since procedures and conditions under which these products may be used are beyond our control, no warranty, expressed or implied, is made to their performance.



Syndevco Inc.
ISO 9001:2015
Certificate #
1000227 QM15

Syndevco Inc.

24205 Telegraph Rd - Southfield MI 48033

Toll Free: (800) 356-2839 Local: (248) 356-2839 Fax: (248) 356-0928

visit us at: www.syndevco.com