



C2 Series Transgun Panel Mounts

(248) 356-2839

Economical receptacles enable quick connecting to a transgun or power distribution box

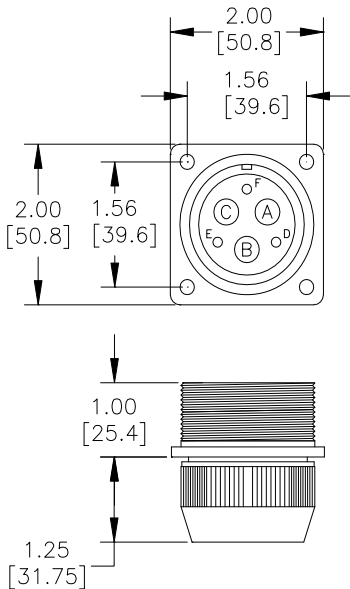
FEATURES

- Compact size
- 6 AWG - 4 AWG power conductor choices
- Auxiliary conductors available for control connections
- Military style (fine thread style) mating connection
- Choose mating cables from C2 Series Transgun Cables
- Design assistance readily available
- Dressout assistance readily available
- 'Value Added' services available— power distribution assemblies, dense packs, complete dressouts

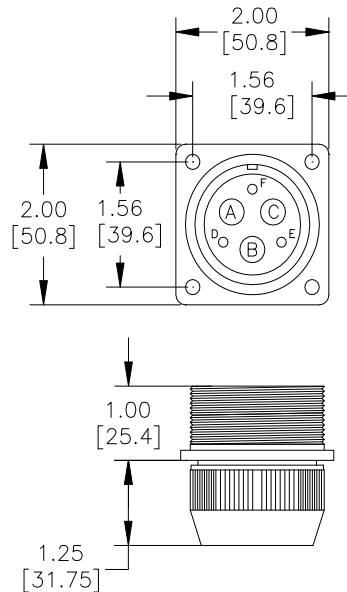


DIMENSIONS

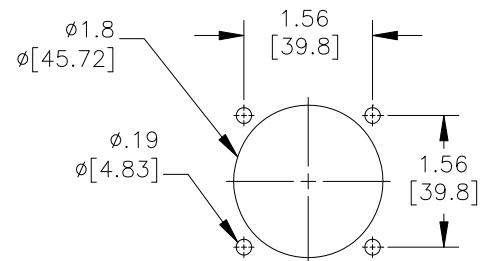
C2M40 Male Flanged Receptacle (Load)



C2F40 Female Flanged Receptacle (Line)



Mounting Hole Pattern



Units of Measure: inches [mm]

Notice: The information contained herein is, to the best of our knowledge, true, accurate and reliable. Since procedures and conditions under which these products may be used are beyond our control, no warranty, expressed or implied, is made to their performance.



Syndevco Inc.

Sheet: 141114

24205 Telegraph Rd - Southfield MI 48033

Toll Free: (800) 356-2839 Local: (248) 356-2839 Fax: (248) 356-0928

visit us at: www.syndevco.com



C2 Series Transgun Panel Mounts

PART NUMBER SYSTEM

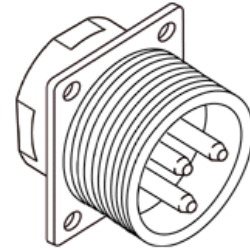
GENERIC PART NUMBER:

C2AAA-BB-CC-D

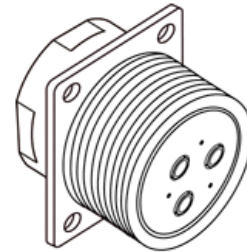
SAMPLE PART NUMBER:

C2M40- GG-03

C2	AAA		BB		CC	D
	CONNECTOR STYLE		CONDUCTOR CONFIGURATION		LENGTH (FEET)	ADDITIONAL OPTIONS
M40	Straight Male Flanged Recept.		GE	6 AWG 3c.	INSERT CABLE LENGTH IN FEET	LEAVE BLANK FOR NONE OR SEE A SYNDEVCO REP.
F40	Straight Female Flanged Recept.		GF	6 AWG 3c. + 3c (control)		
See a Syndevco Representative for further options		GG	4 AWG 3c.			
			GH	4 AWG 3c. + 3c (control)		
				See a Syndevco Representative for further options		



C2M40 Male Flanged Receptacle (Load Side)



C2F40 Female Flanged Receptacle (Line Side)

Please see our other products for further design solutions



GTP Series Power Distribution Boxes



Stamped Series Compact Power Blocks



C2 Series Transgun Cables

Notice: The information contained herein is, to the best of our knowledge, true, accurate and reliable. Since procedures and conditions under which these products may be used are beyond our control, no warranty, expressed or implied, is made to their performance.



Syndevco Inc.
ISO 9001:2015
Certificate # 1000227 QM15

Syndevco Inc.

24205 Telegraph Rd - Southfield MI 48033

Toll Free: (800) 356-2839 Local: (248) 356-2839 Fax: (248) 356-0928

visit us at: www.syndevco.com