



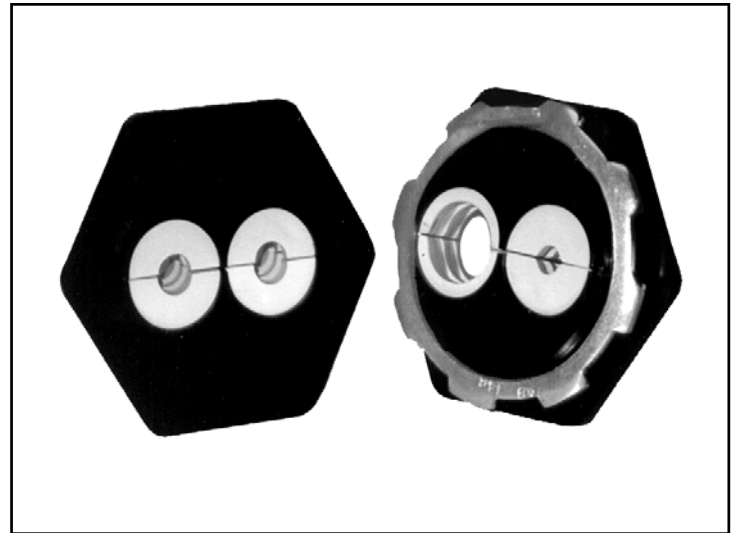
# 2490 Series Split Bushing

(248) 356-2839

*The 2490 series Split Bushing maintains a firm grasp of all cables in a pass through water resistant device*

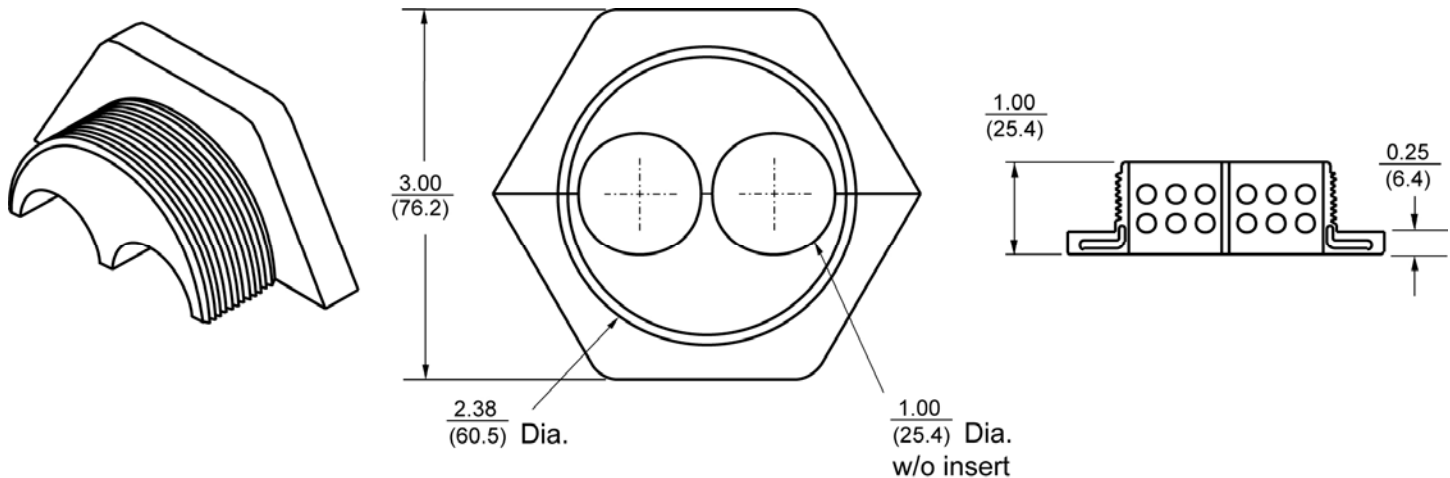
## FEATURES

- "Split" type design
- Molded of 94VO flame retardant rated material
- Non conductive
- Inserts made of flexible Estane
- Keyed inserts securely lock to the body
- Accommodates two cables from 1/8" - 1"
- Accommodates four cables from 1/8" - 3/8"
- Mounts in a 2" conduit hole
- Lock nut provided, securely holds bushing to enclosure
- Customized inserts readily available



## DIMENSIONS

UNIT OF MEASUREMENT       $\frac{\text{in}}{\text{(mm)}}$



Notice: The information contained herein is, to the best of our knowledge, true, accurate and reliable. Since procedures and conditions under which these products may be used are beyond our control, no warranty, expressed or implied, is made to their performance.



Syndevco Inc.  
ISO 9001:2015  
Certificate #  
10002227 QM15

**Syndevco Inc.**

Sheet: 141114

24205 Telegraph Rd - Southfield MI 48033  
Toll Free: (800) 356-2839 Local: (248) 356-2839 Fax: (248) 356-0928  
visit us at: [www.syndevco.com](http://www.syndevco.com)



# 2490 Series Split Bushing

## PART NUMBERING

GENERIC PART NUMBER : 2490 - YYY - Z

SAMPLE PART NUMBER : 2490 - 500

2490 -		YYY	Z
		HOLE SIZE (in)	ADDITIONAL OPTIONS
000	PLUG		I: INDICATES THE SECOND INSERT IS DIFFERENT FROM THE FIRST INSERT  D: TWO HOLES IN INSERT (AVAILABLE IN 125, 250, AND 375 ONLY)  R: WITHOUT LOCK NUT  LEAVE BLANK FOR NONE OR SEE A SYNDEVCO REPRESENTATIVE
125	1/8		
250	1/4		
375	3/8		
500	1/2		
625	5/8		
750	3/4		
875	7/8		
999	1		

## ORDER SAMPLES

BUSHING REQUIRED	REPRESENTATION	ORDERED COMPONENTS
BOTH INSERTS SINGLE 1/2 in HOLE		2490-500
INSERT 1- SINGLE 1/4 in HOLE INSERT 2- DUAL 1/4 in HOLE		2490-250/250D
INSERT 1- SINGLE 1/2 in HOLE INSERT 2- PLUG		2490-500/000
INSERT 1- DUAL 3/8 in HOLE INSERT 2- NONE NO LOCK NUT REQUIRED		2490-375D/999R

Notice: The information contained herein is, to the best of our knowledge, true, accurate and reliable. Since procedures and conditions under which these products may be used are beyond our control, no warranty, expressed or implied, is made to their performance.



Syndevco Inc.  
ISO 9001:2015  
Certificate #  
10002227.QM15

**Syndevco Inc.**

24205 Telegraph Rd - Southfield MI 48033

Toll Free: (800) 356-2839 Local: (248) 356-2839 Fax: (248) 356-0928

visit us at: [www.syndevco.com](http://www.syndevco.com)