



# Clamp Inserts - UHMW

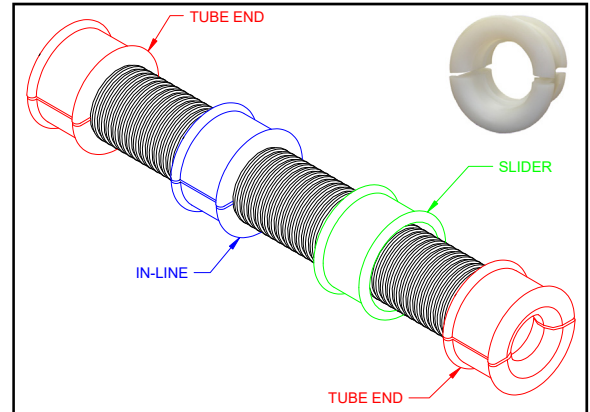
For use with Corrugated Tubing

(248) 356-2839

*Inserts used in conjunction with SH, TH, UH, and LH Series Clamps, are available in variety of configurations*

## Features

- Use with Utility Clamps– **SH**, **TH**, **UH** and **LH**
- Color– White
- 2 pc Firm material design
- Many Configurations available
- Custom requirements easily met
- Robot Dress assistance readily available
- ‘Value added’ services available



## Compatibility & Part Numbering

Corrugated Tube sizes compatible with each clamp series:

- |                  |                  |                  |                  |
|------------------|------------------|------------------|------------------|
| <b>SH Series</b> | <b>TH Series</b> | <b>UH Series</b> | <b>LH Series</b> |
| • 36 mm          | • 48 mm          | • 70 mm          | • 95 mm          |
| • 29 mm          |                  | • 56 mm          |                  |
| • 23 mm          |                  |                  |                  |

### Tube End Inserts

Terminates the Corrugated Tubing and has a custom sized through hole designed to fit the utility bundle.

### Part Numbering:

(series)I- AC (tube size)- ID mm

Examples:

**SH Series**

SHI-AC36-28

**TH Series**

THI-AC48-40

**UH Series**

UHI-AC70-50

**LH Series**

LHI-AC95-78

### Tube End Inserts with Grommets

These inserts terminate Corrugated Tubing like our standard tube end inserts but these include a soft grommet to hold the utility bundle.

These components are sold together as two separate part numbers.

*\*Only offered in TH, UH and LH series*

### Part Numbering:

(series)I- AC (tube size)- (series)GI

(series)GI- C (tube size)- ID mm

Examples:

**TH Series**

THI-AC48-TGI - Insert only

TGI-C48-40 - Grommet only

**UH Series**

UHI-AC70-UGI - Insert only

UGI-C70-50 - Grommet only

### In-line Inserts

Designed with a ridge to hold the Corrugated Tubing in place

### Part Numbering:

(series)I- AI (tube size)

Examples:

**SHI-AI36**

**THI-AI48**

**UHI-AI70**

**LHI-AI95**

### Slider Inserts

Designed with a smooth face to allow the Corrugated Tubing to pass through

### Part Numbering:

(series)I- AS (tube size)

Examples:

**SHI-AS36**

**THI-AS48**

**UHI-AS70**

**LHI-AS95**

Notice: The information contained herein is, to the best of our knowledge, true, accurate and reliable. Since procedures and conditions under which these products may be used are beyond our control, no warranty, expressed or implied, is made to their performance.



DQS Inc  
Syndevco Inc.  
Registered to ISO 9001:2015  
10002227 QM15

**Syndevco Inc.**

Sheet: 230818

24205 Telegraph Rd - Southfield MI 48033

Toll Free: (800) 356-2839 Local: (248) 356-2839 Fax: (248) 356-0928

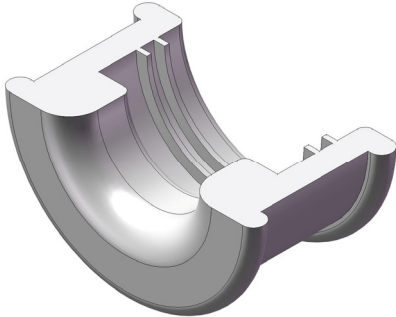
visit us at: [www.syndevco.com](http://www.syndevco.com)



# Clamp Inserts UHMW

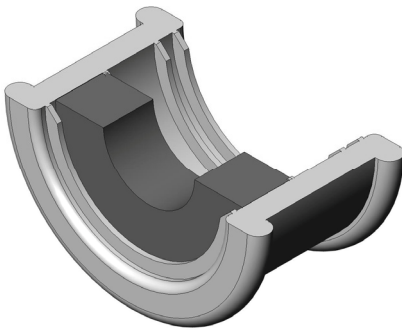
For use with Corrugated Tubing

## Insert Diagrams and Comparison



### Tube End Inserts

Terminates the Corrugated Tubing by utilizing two rings designed to fit into the corrugations and ensure the tubing cannot pull out. There is also a custom sized through hole designed to fit the utility bundle that has a rounded exit edge to minimize wear on the exposed utilities. This insert comes split in half for ease of installation and adjustment.

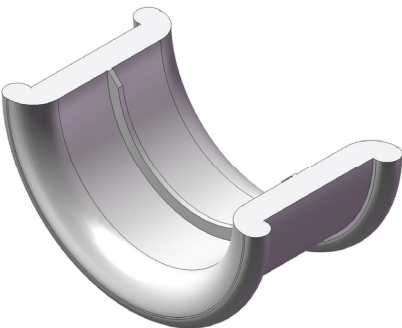


### Tube End Inserts with Grommet

Terminates the Corrugated Tubing by utilizing two rings designed to fit into the corrugations and ensure the tubing cannot pull out. There is also a soft grommet with a custom sized through hole designed to fit the utility bundle to minimize wear on the exposed utilities. This insert comes split in half for ease of installation and adjustment.

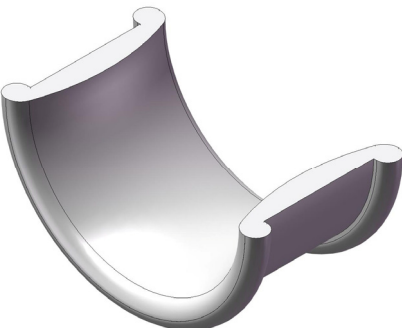
These components are sold together as two separate part numbers.

*\*Only offered in TH, UH and LH series*



### Inline Inserts

Holds the Corrugated Tubing in place and prevents it from passing through by utilizing a single ring designed to fit into the corrugations. This insert comes split in half for ease of installation and adjustment.



### Slider Inserts

Allows the Corrugated Tubing to pass through, or slide, by utilizing a smooth surface. This insert comes as a solid piece to reduce the chance of catching or wear on the corrugated tubing.

*\*Section view shown in diagram. Actual insert supplied as one solid piece*

Notice: The information contained herein is, to the best of our knowledge, true, accurate and reliable. Since procedures and conditions under which these products may be used are beyond our control, no warranty, expressed or implied, is made to their performance.



**Syndevco Inc.**

24205 Telegraph Rd - Southfield MI 48033

Toll Free: (800) 356-2839 Local: (248) 356-2839 Fax: (248) 356-0928

visit us at: [www.syndevco.com](http://www.syndevco.com)