



# Robot Dress Brackets

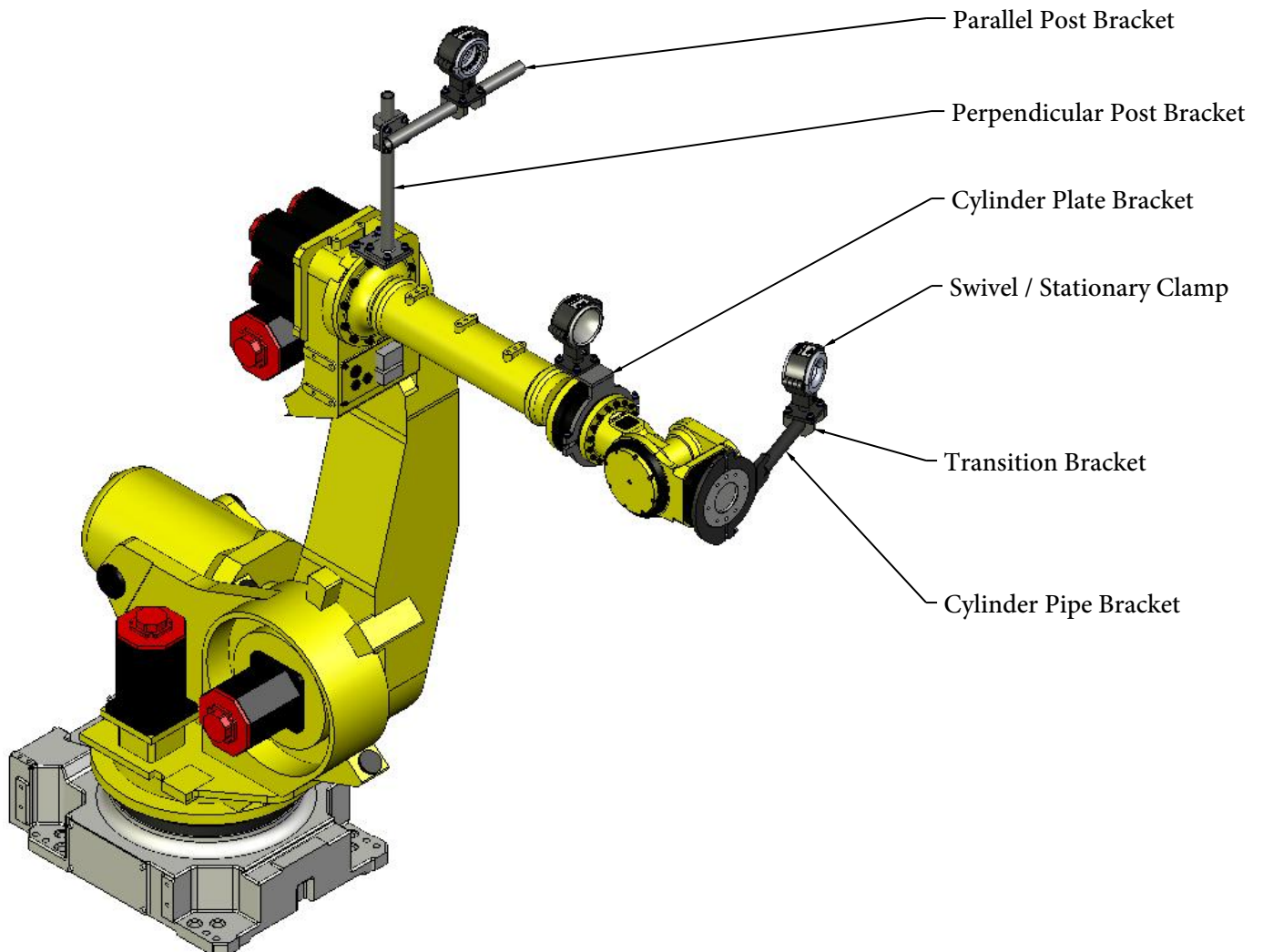
(248) 356-2839

*Rigid, light weight brackets used with utility clamps to route utilities to the EOAT (End Of Arm Tooling)*

## Features

- Allows flexibility to rearrange utility routings to match application
- Decrease downtime
- Easy to use and reposition
- Secure non-slip mount of cylinder brackets
- Use with **SH**, **TH**, **UH** and **LH** series utility clamps
- Robot Dress Assistance readily available
- 'Value added' services available

## Usage Example (SA & SD Brackets with UH clamps and Inserts shown below)



Notice: The information contained herein is, to the best of our knowledge, true, accurate and reliable. Since procedures and conditions under which these products may be used are beyond our control, no warranty, expressed or implied, is made to their performance.



DQS Inc.  
Syndevco Inc.  
Registered to ISO 9001:2015  
10002227 QM15

**Syndevco Inc.**

Sheet: 230818

24205 Telegraph Rd - Southfield MI 48033

Toll Free: (800) 356-2839 Local: (248) 356-2839 Fax: (248) 356-0928

visit us at: [www.syndevco.com](http://www.syndevco.com)



# Robot Dress Brackets

## Post Brackets



**Perpendicular**

**RDA-R1-F0-250**

**SAA-R1-F0-460**



**Parallel**

**RDA-R1-F1-250**

**SAA-R1-F1-460**

### Mounting Hole Pattern

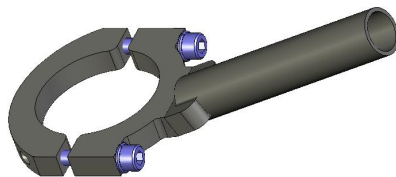
**RD Series**

7mm thru  
31.8 mm  
square c-c

**SA Series**

11mm thru  
60 mm  
square c-c

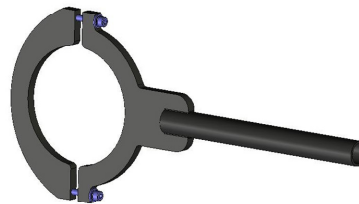
## Cylinder - Pipe Bracket



**Angled (20 degree)**

**RDD-R3-(diameter)-250**

**SDR3-(diameter)-460**



**Straight**

**RDD-R1-(diameter)-250**

**SDR1-(diameter)-460**

### Thickness

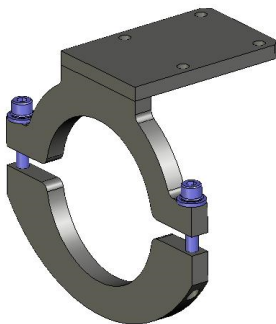
**RD Series**

3/8 in  
9.5 mm

**SD Series**

1/2 in  
12.7 mm

## Cylinder - Plate Bracket



**RDD-F1- (diameter) - (Syndevco assigned)**

**SDF1- (diameter) - (Syndevco assigned)**

### Thickness

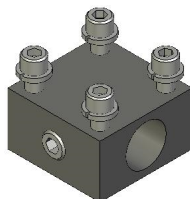
**RD Series**

3/8 in  
9.5 mm

**SD Series**

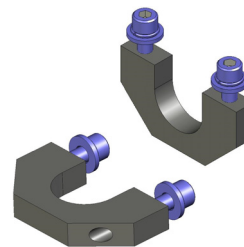
1/2 in  
12.7 mm

## Transition Brackets



**RD Series**

**RDB-A-C**



**Medium/ Large  
SAB-A-C**

Typically 2 pcs required per application

Notice: The information contained herein is, to the best of our knowledge, true, accurate and reliable. Since procedures and conditions under which these products may be used are beyond our control, no warranty, expressed or implied, is made to their performance.



DQS Inc.  
Syndevco Inc.  
Registered to ISO 9001:2015  
10002227-QM15

## Syndevco Inc.

24205 Telegraph Rd - Southfield MI 48033

Toll Free: (800) 356-2839 Local: (248) 356-2839 Fax: (248) 356-0928

visit us at: [www.syndevco.com](http://www.syndevco.com)