



# RF Series Transgun Cables

(248) 356-2839

*Industrial strength connectors, finger tipped for safety, and urethane strain relief for the longest service life*

## FEATURES

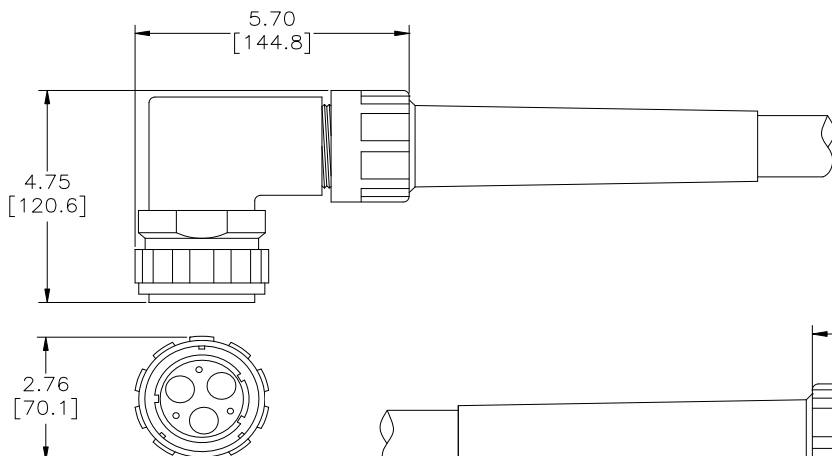
- ‘Finger Tipped’ insulated male contacts for maximum safety (male is the line end)
- Audible and visual indication of mating with panel mount
- 6 AWG—1/0 AWG conductor choices
- Auxiliary conductors available for control connections
- Urethane Strain Aid on the cable ends for long flexing life
- Straight and 90 degree connectors available
- Industrial strength connectors
- Multi-key connectors for connection strength and stability
- Secure 120 degree turn Rapid Change connection
- 36 shell connector size
- Crimp connections used
- Choose mating panel mounts from RF Series Transgun Panel Mounts
- Custom lengths for design efficiency
- Design and dressout assistance readily available
- ‘Value Added’ services available— power distribution assemblies, dense packs, complete dressouts



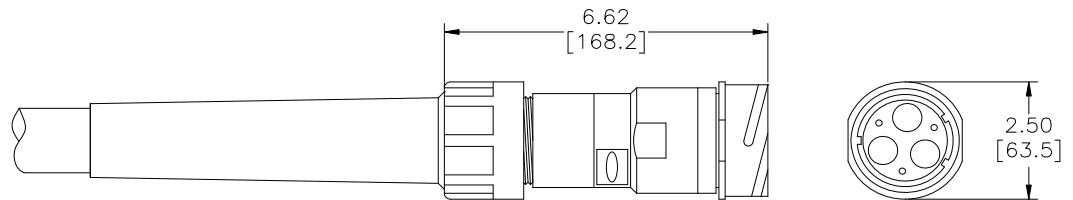
## DIMENSIONS

### 90 degree Connector

Dimensions are reference only— for exact information please see a Syndevco Representative.



### Straight Connector



Units of Measure: inches  
[mm]

Notice: The information contained herein is, to the best of our knowledge, true, accurate and reliable. Since procedures and conditions under which these products may be used are beyond our control, no warranty, expressed or implied, is made to their performance.



DQS Inc.  
Syndevco Inc.  
Registered to ISO 9001:2015  
10002227 QM15

**Syndevco Inc.**

Sheet: 230818

24205 Telegraph Rd - Southfield MI 48033

Toll Free: (800) 356-2839 Local: (248) 356-2839 Fax: (248) 356-0928

visit us at: [www.syndevco.com](http://www.syndevco.com)



# RF Series Transgun Cables

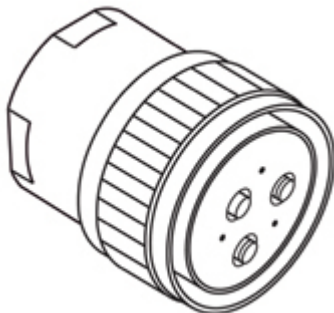
## PART NUMBER SYSTEM

**GENERIC PART NUMBER:** RFAAB-CCDDE-FG-HH-J  
**SAMPLE PART NUMBER:** RFM52-RFF22-AJ-10  
**NOTE:** ON DUAL ENDED CABLES IDENTIFY MALE END FIRST

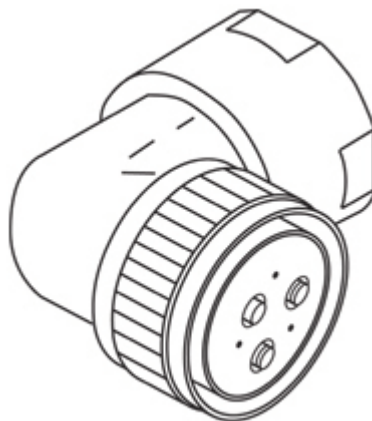
RF	END 1		END 2			CABLE			J ADDITIONAL OPTIONS
	AA CONNECTOR STYLE	B STRAIN RELIEF TYPE	CC CONNECTOR TYPE	DD CONNECTOR STYLE	E STRAIN RELIEF TYPE	F CABLE TYPE	G CONDUCTOR CONFIGURATION	HH LENGTH (FEET)	
M1	Male Straight Plug	1 No Strain Relief Cord Grip Only	RF 36 Shell FT Rapid Change	M1 Male Straight Plug	0 N/A	A BIW (composite)	E 6 AWG 3c.	INSERT CABLE LENGTH IN FEET	LEAVE BLANK FOR NONE OR SEE A SYNDEVCO REP.
M3	Male Straight Flanged Plug	2 Urethane StrainAid	00 None	M3 Male Straight Flanged Plug	1 No Strain Relief Cord Grip Only	B TPC (composite)	F 6 AWG 3c. + 3c (control)		
M5	Male 90 degree Plug	3 Basket Weave	See a Syndevco Representative for further options	M5 Male 90 degree Plug	2 Urethane StrainAid	C Elocab (composite)	G 4 AWG 3c.		
F2	Female Straight Receptacle	See a Syndevco Representative for further options		F2 Female Straight Receptacle	3 Basket Weave	D Carol (composite)	H 4 AWG 3c. + 3c (control)		
F4	Female Straight Flanged Recept.			F4 Female Straight Flanged Recept.	See a Syndevco Representative for further options	E Tiger (composite)	J 2 AWG 3c.		
	See a Syndevco Representative for further options			00 None		See a Syndevco Representative for further options	K 2 AWG 3c. + 3c (control)	See a Syndevco Representative for further options	
				L2 Blunt w/ lugs					
			See a Syndevco Representative for further options						

## CONNECTOR STYLES

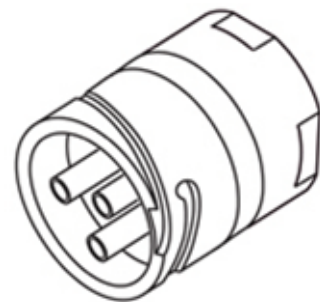
**RFM1 Male Straight Plug (Line Side)**  
*(Plugs have an active coupler and mate with receptacles)*



**RFM5 Male 90 degree Plug (Line Side)**  
*(Plugs have an active coupler and mate with receptacles)*



**RFF2 Female Straight Receptacle (Load Side)**  
*(Receptacles have a static coupler and mate with plugs)*



Notice: The information contained herein is, to the best of our knowledge, true, accurate and reliable. Since procedures and conditions under which these products may be used are beyond our control, no warranty, expressed or implied, is made to their performance.



**Syndevco Inc.**

24205 Telegraph Rd - Southfield MI 48033  
Toll Free: (800) 356-2839 Local: (248) 356-2839 Fax: (248) 356-0928  
visit us at: [www.syndevco.com](http://www.syndevco.com)

Syndevco Inc.  
Registered to ISO 9001:2015  
10002227 QM15