



# C2 Series Transgun Panel Mounts

(248) 356-2839

*Economical receptacles enable quick connecting to a transgun or power distribution box*

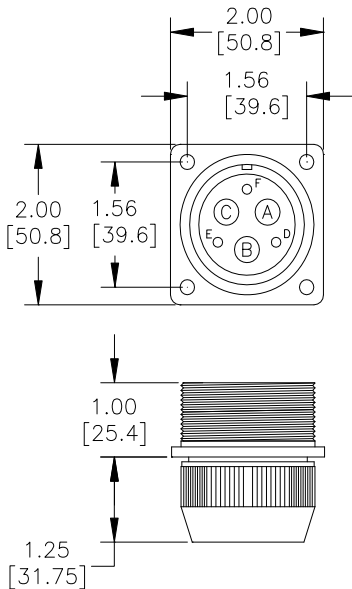
## FEATURES

- Compact size
- 6 AWG - 4 AWG power conductor choices
- Auxiliary conductors available for control connections
- Military style (fine thread style) mating connection
- Choose mating cables from C2 Series Transgun Cables
- Design assistance readily available
- Dressout assistance readily available
- 'Value Added' services available— power distribution assemblies, dense packs, complete dressouts

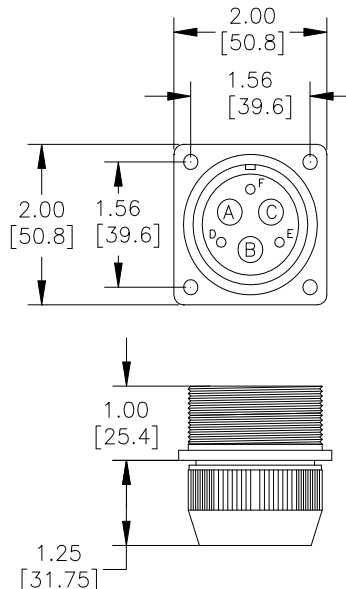


## DIMENSIONS

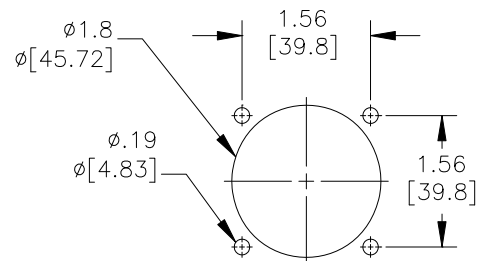
**C2M40 Male Flanged Receptacle (Load)**



**C2F40 Female Flanged Receptacle (Line)**



**Mounting Hole Pattern**



Units of Measure: inches [mm]

Notice: The information contained herein is, to the best of our knowledge, true, accurate and reliable. Since procedures and conditions under which these products may be used are beyond our control, no warranty, expressed or implied, is made to their performance.



**Syndevco Inc.**

Sheet: 230818

24205 Telegraph Rd - Southfield MI 48033

Toll Free: (800) 356-2839 Local: (248) 356-2839 Fax: (248) 356-0928

visit us at: [www.syndevco.com](http://www.syndevco.com)



# C2 Series Transgun Panel Mounts

## PART NUMBER SYSTEM

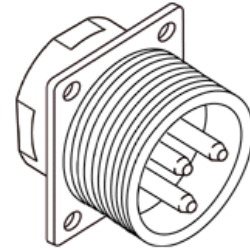
GENERIC PART NUMBER:

C2AAA-BB-CC-D

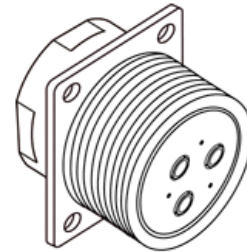
SAMPLE PART NUMBER:

C2M40- GG-03

C2	AAA		BB		CC	D
	CONNECTOR STYLE		CONDUCTOR CONFIGURATION		LENGTH (FEET)	ADDITIONAL OPTIONS
<b>M40</b>	Straight Male Flanged Recept.		<b>GE</b>	6 AWG 3c.	INSERT CABLE LENGTH IN FEET	LEAVE BLANK FOR NONE OR SEE A SYNDEVCO REP.
<b>F40</b>	Straight Female Flanged Recept.		<b>GF</b>	6 AWG 3c. + 3c (control)		
See a Syndevco Representative for further options		<b>GG</b>	4 AWG 3c.			
			<b>GH</b>	4 AWG 3c. + 3c (control)		
				See a Syndevco Representative for further options		



C2M40 Male Flanged Receptacle  
(Load Side)



C2F40 Female Flanged Receptacle  
(Line Side)

Please see our other products for further  
design solutions



GTP Series  
Power Distribution Boxes



Stamped Series  
Compact Power Blocks



C2 Series  
Transgun Cables

Notice: The information contained herein is, to the best of our knowledge, true, accurate and reliable. Since procedures and conditions under which these products may be used are beyond our control, no warranty, expressed or implied, is made to their performance.



DQS Inc.  
Syndevco Inc.  
Registered to ISO 9001:2015  
1000227 QM15

**Syndevco Inc.**

24205 Telegraph Rd - Southfield MI 48033

Toll Free: (800) 356-2839 Local: (248) 356-2839 Fax: (248) 356-0928

visit us at: [www.syndevco.com](http://www.syndevco.com)