



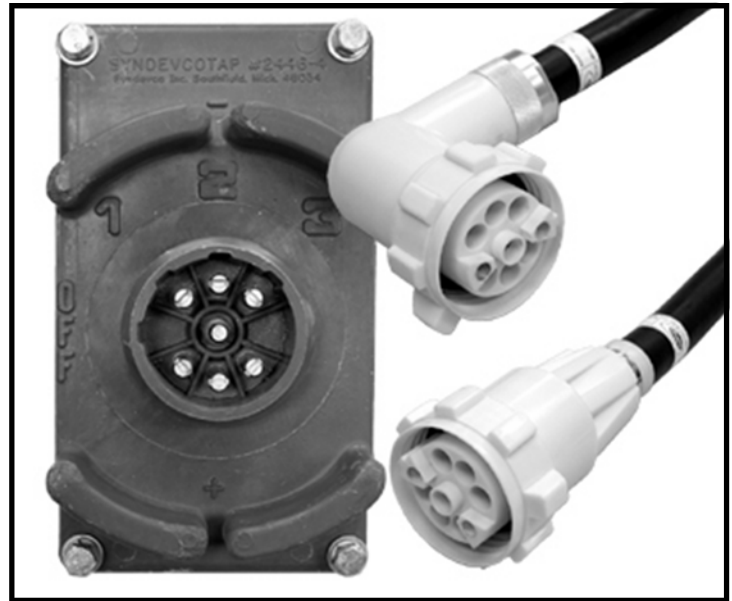
2446 Series Tap Switch and Cable

(248) 356-2839

Constructed from nonconductive material, has no moving parts and is waterproof for safety

FEATURES

- No moving parts– no wiper– just reposition the plug to get up to 3 different settings
- Contacts are silver-plated copper
- Connector constructed of nonconductive material
- 600 Volt rated
- 90 degree Celsius rated
- 150 Amps @ 30 degree Celsius continuous current capacity
- Straight and 90 degree plug heads available
- Waterproof transformer receptacle
- Custom lengths of cables readily available
- 2 AWG type W cable used as a standard
- Custom type and brand of cable available
- ‘Value Added’ services available



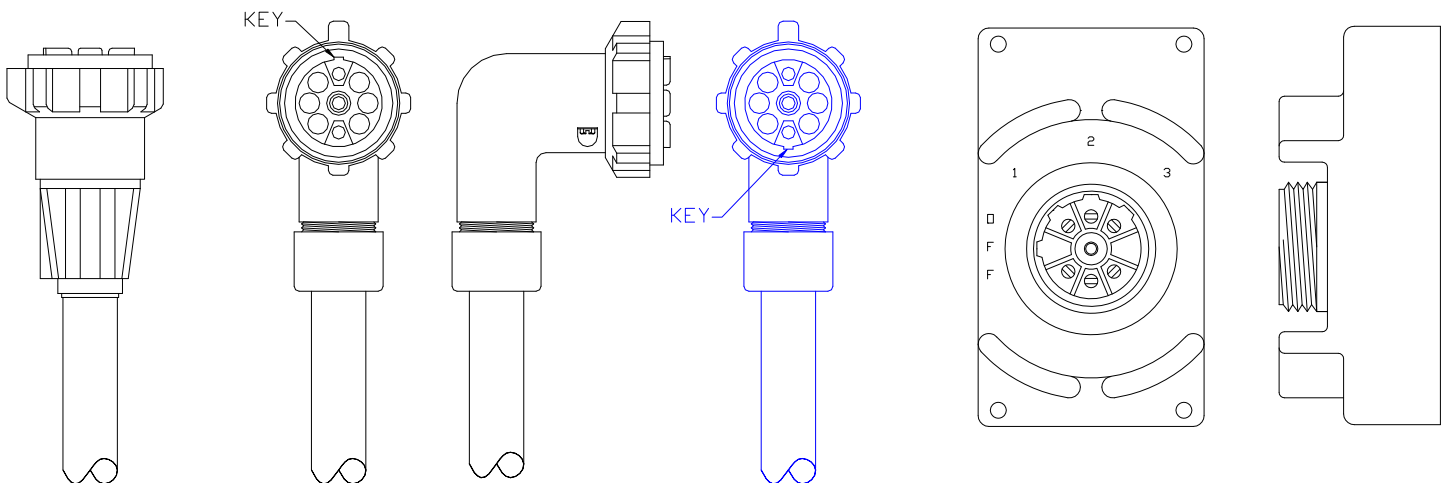
PART NUMBERING

STANDARD STRAIGHT
2446-W-XX

STANDARD 90 DEGREE
2446-H90-XX

OPTIONAL 90 DEGREE (OPPOSITE KEYWAY)
2446-H90B-XX

2446-4



XX in part number denotes length in feet
For special options see a Syndevco representative

Notice: The information contained herein is, to the best of our knowledge, true, accurate and reliable. Since procedures and conditions under which these products may be used are beyond our control, no warranty, expressed or implied, is made to their performance.



Syndevco Inc. Sheet: 230818
24205 Telegraph Rd - Southfield MI 48033
Toll Free: (800) 356-2839 Local: (248) 356-2839 Fax: (248) 356-0928
visit us at: www.syndevco.com

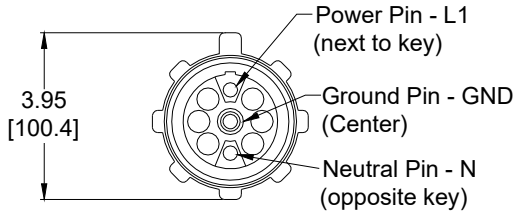


2446 Series Tap Switch and Cable

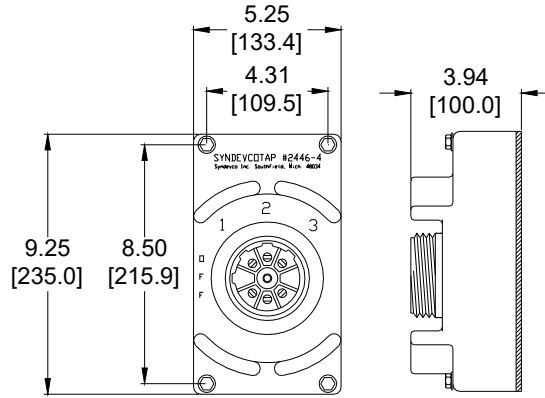
DIMENSIONS

Units of Measure inches
 [mm]

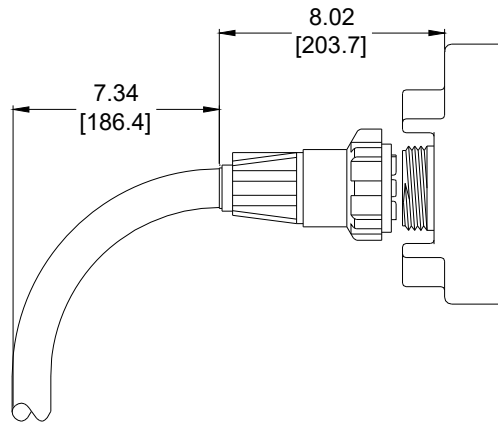
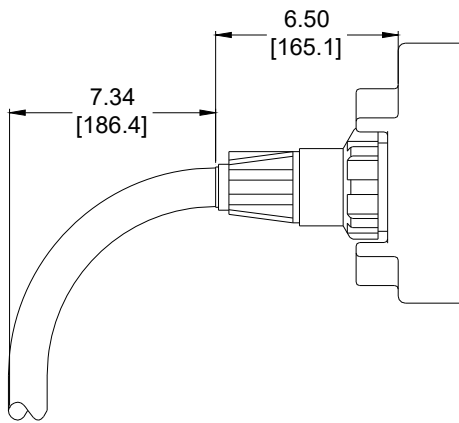
Cable Plug (Face View)
[do not scale]



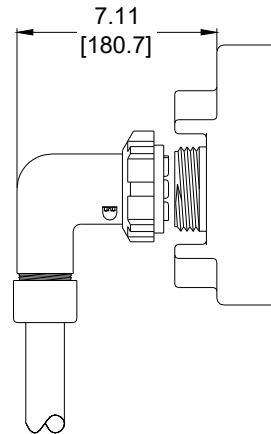
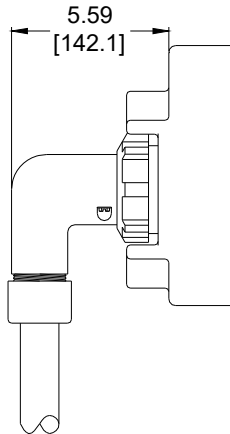
2446-4 Tap Switch



2446-W Cable Assembly



2446-H90 Cable Assembly



Notice: The information contained herein is, to the best of our knowledge, true, accurate and reliable. Since procedures and conditions under which these products may be used are beyond our control, no warranty, expressed or implied, is made to their performance.



Syndevco Inc.

24205 Telegraph Rd - Southfield MI 48033
Toll Free: (800) 356-2839 Local: (248) 356-2839 Fax: (248) 356-0928
visit us at: www.syndevco.com