



# Power Distribution Assemblies

(248) 356-2839

*Power Distribution Assemblies designed to distribute line or welding power in industrial applications*

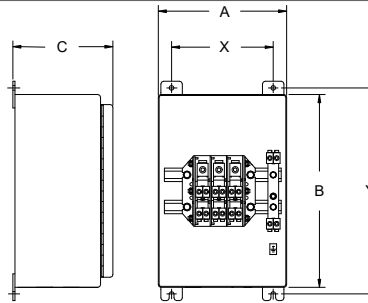
## FEATURES

- Utilizes the MB-2 and MB-3 terminal blocks
- For use with single or 3 phase applications
- For use with multi-circuit applications
- Terminals orientated horizontally - standard
- Terminals orientated vertically - available - *Please ask a Syndevco representative*
- ANSI 61 Gray finish - standard
- Other color finishes - available - *Please ask a Syndevco representative*
- NEMA Type 12
- Conductor size range 500MCM - 6 AWG
- Ground bonding complies with current accepted NEC code
- 'DANGER 480/575 VOLTS' Labeling
- Compact enclosures
- Custom requirements welcome
- 'Value Added' services available - creating holes, inserting cord grips or strain relief, etc.
- Assemblies meeting current accepted NEC code available (sizes are typically larger than industry standard)
- Assemblies with UL-508A listing available (sizes may differ)



### P2H Assemblies

- Uses MB2 series Terminal Blocks
- Sized to industry standards— see chart to the right
- Part Numbering— see reverse side

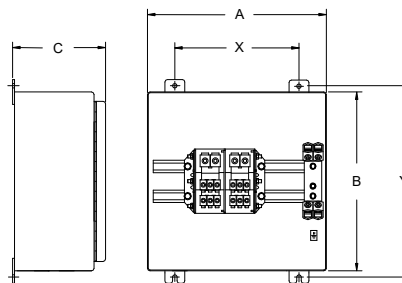


| Number of Poles + Ground Bars | Overall   |        |                 | Mounting       |                  |
|-------------------------------|---|--------|-----------------|----------------|------------------|
|                               | Width   | Height | Depth           | Width          | Height           |
|                               | A   | B      | C               | X              | Y                |
| 2 - 5                         | 12<br>[304.8]                                     | 18     | 9.35<br>[237.5] | 9.5<br>[241.3] | 19.25<br>[489.0] |
| 6 - 9                         | 18<br>[457.2]                                     |        |                 | 12<br>[304.8]  |                  |
| 10 - 13                       | 24<br>[609.6]                                     | 20     |                 | 18<br>[457.2]  | 21.25<br>[539.8] |
| 14 - 17                       | 30<br>[762.0]                                     |        |                 | 24<br>[609.6]  |                  |
| Additional Poles              | See a Syndevco representative for further options |        |                 |                |                  |



### P3H Assemblies

- Uses MB3 series Terminal Blocks
- Sized to industry standards— see chart to the right
- Part Numbering— see reverse side



| Number of Poles + Ground Bars | Overall   |        |                 | Mounting       |                  |
|-------------------------------|---|--------|-----------------|----------------|------------------|
|                               | Width   | Height | Depth           | Width          | Height           |
|                               | A   | B      | C               | X              | Y                |
| 2                             | 12<br>[304.8]                                     | 18     | 9.35<br>[237.5] | 9.5<br>[241.3] | 19.25<br>[489.0] |
| 3 - 4                         | 18<br>[457.2]                                     |        |                 | 12<br>[304.8]  |                  |
| 5 - 6                         | 24<br>[609.6]                                     | 20     |                 | 18<br>[457.2]  | 21.25<br>[539.8] |
| 7 - 8                         | 30<br>[762.0]                                     |        |                 | 24<br>[609.6]  |                  |
| Additional Poles              | See a Syndevco representative for further options |        |                 |                |                  |



### NEC Assemblies

- Uses MB2 or MB3 series Terminal Blocks
- Sized to current NEC Code— see a Syndevco representative for further information
- Part Numbering— see a Syndevco representative for further information

Notice: The information contained herein is, to the best of our knowledge, true, accurate and reliable. Since procedures and conditions under which these products may be used are beyond our control, no warranty, expressed or implied, is made to their performance.



**Syndevco Inc.**

Sheet: 230818

24205 Telegraph Rd - Southfield MI 48033

Toll Free: (800) 356-2839 Local: (248) 356-2839 Fax: (248) 356-0928

visit us at: [www.syndevco.com](http://www.syndevco.com)



# Power Distribution Assemblies

## PART NUMBERING

GENERIC PART NUMBER: P2H-BBB-CC-DEF-G

SAMPLE PART NUMBER: P2H-220-04-B1B

| P2H- | BBB   | CC  | D   |            |                |   | E                     | F  | G   |
|------|---|---|---|------------|----------------|---|-----------------------|--|---|
|      | Conductor Type  | Number of Poles                                   | Ground Type                                       |            |                |   | Number of Grounds     | Enclosure Color<br>Exterior/<br>Interior/<br>Interior door | Additional Options  |
|      |   |   | LINE  |            | LOAD           |   |                       |  |   |
|      |   | QTY   |   | WIRE RANGE |                |   |                       |  |   |
|      | Choose a <b>Copper Number (XXX)</b> from Chart on <b>MB-2 SERIES POWER BLOCKS</b> Catalog Sheet | Choose 01 - 30                                    | 0 No Grounds Required                             |            |                |   | 0 No Grounds Required | B ANSI61 Gray/<br>White/<br>White                          | Leave blank for none or see a Syndevco representative for further options |
|      |   |   | A   | 2          | 1/OAWG-6 AWG   | 2 | 1/O AWG-6 AWG         |  |   |
|      | See a Syndevco representative for further options   | See a Syndevco representative for further options | B   | 2          | 1/OAWG-6 AWG   | 4 | 1/O AWG-6 AWG         | See a Syndevco representative for further options          |   |
|      |   |   | E   | 1          | 350MCM-1/O AWG | 2 | 1/O AWG-6 AWG         |  |   |
|      |   |   | F   | 1          | 350MCM-1/O AWG | 4 | 1/O AWG-6 AWG         |  |   |
|      |   |   | J   | 1          | 350MCM-1/O AWG | 1 | 350MCM-1/O AWG        |  |   |
|      |   |   | K   | 1          | 350MCM-1/O AWG | 2 | 350MCM-1/O AWG        |  |   |
|      |   |   | See a Syndevco representative for further options |            |                |   |                       |  |   |

GENERIC PART NUMBER: P3H-BBB-CC-DEF-G

SAMPLE PART NUMBER: P3H-340-03-C1B

| P3H- | BBB   | CC  | D   |            |                |   | E                     | F  | G   |
|------|---|---|---|------------|----------------|---|-----------------------|--|---|
|      | Conductor Type  | Number of Poles                                   | Ground Type                                       |            |                |   | Number of Grounds     | Enclosure Color<br>Exterior/<br>Interior/<br>Interior door | Additional Options  |
|      |   |   | LINE  |            | LOAD           |   |                       |  |   |
|      |   | QTY   |   | WIRE RANGE |                |   |                       |  |   |
|      | Choose a <b>Copper Number (XXX)</b> from Chart on <b>MB-3 SERIES POWER BLOCKS</b> Catalog Sheet | Choose 01 - 08                                    | 0 No Grounds Required                             |            |                |   | 0 No Grounds Required | B ANSI61 Gray/<br>White/<br>White                          | Leave blank for none or see a Syndevco representative for further options |
|      |   |   | C   | 3          | 1/OAWG-6 AWG   | 3 | 1/O AWG-6 AWG         |  |   |
|      | See a Syndevco representative for further options   | See a Syndevco representative for further options | D   | 3          | 1/OAWG-6 AWG   | 6 | 1/O AWG-6 AWG         | See a Syndevco representative for further options          |   |
|      |   |   | G   | 2          | 350MCM-1/O AWG | 3 | 1/O AWG-6 AWG         |  |   |
|      |   |   | H   | 2          | 350MCM-1/O AWG | 6 | 1/O AWG-6 AWG         |  |   |
|      |   |   | L   | 2          | 350MCM-1/O AWG | 2 | 350MCM-1/O AWG        |  |   |
|      |   |   | M   | 2          | 350MCM-1/O AWG | 4 | 350MCM-1/O AWG        |  |   |
|      |   |   | See a Syndevco representative for further options |            |                |   |                       |  |   |

Notice: The information contained herein is, to the best of our knowledge, true, accurate and reliable. Since procedures and conditions under which these products may be used are beyond our control, no warranty, expressed or implied, is made to their performance.



**Syndevco Inc.**

24205 Telegraph Rd - Southfield MI 48033

Toll Free: (800) 356-2839 Local: (248) 356-2839 Fax: (248) 356-0928

visit us at: [www.syndevco.com](http://www.syndevco.com)

DQS Inc.  
Syndevco Inc.  
Registered to ISO 9001:2015  
1100227 QM15