



G2D Series (General Motors) Power Distribution Boxes

(248) 356-2839

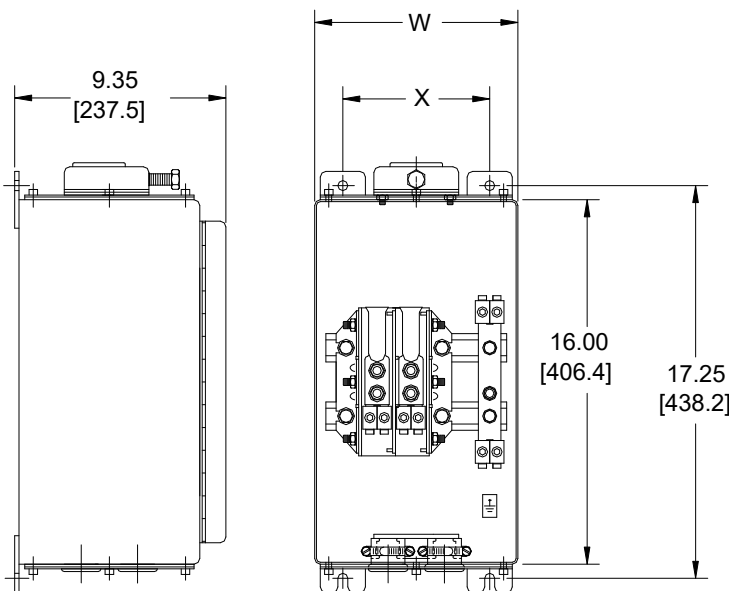
Built to GM standards – grounding for all line and load connections—uses MB-2 series power blocks

FEATURES

- Utilizes the MB-2 series power blocks
- ANSI 61 Gray standard color
- Unused entrance/exit holes sealed
- Grounding available for all line and load connections
- Choice of crimp or collar lugs on the line side
- Conductor size range 300MCM– 6 AWG
- ‘DANGER 480/575 VOLTS’ labeling
- Choice of strain relief for round or oval cable of various sizes
- One (1) to four (4) circuit enclosure standard
- Up to 4 transformers per circuit capacity



DIMENSIONS



1 Circuit (2 pole) Enclosure Shown

Number of Circuits (Number of Poles)	Width - inches [mm]	
	Overall	Mounting
	W	X
1 Circuit (2 pole)	9.00 [228.6]	6.50 [165.1]
2 Circuit (4 pole)	12.00 [304.8]	9.50 [241.3]
3 Circuit (6 pole)	17.00 [431.8]	11.00 [279.4]
4 Circuit (8 pole)	22.00 [558.8]	16.00 [406.4]

Units of measure: inches [mm]

Notice: The information contained herein is, to the best of our knowledge, true, accurate and reliable. Since procedures and conditions under which these products may be used are beyond our control, no warranty, expressed or implied, is made to their performance.



Syndevco Inc. Sheet: 230818
24205 Telegraph Rd - Southfield MI 48033
Toll Free: (800) 356-2839 Local: (248) 356-2839 Fax: (248) 356-0928
visit us at: www.syndevco.com



G2D Series (General Motors) Power Distribution Boxes

PART NUMBERING

GENERIC PART NUMBER: G2D-AAA-BB-CD-E
 SAMPLE PART NUMBERS: G2D-270-02-21

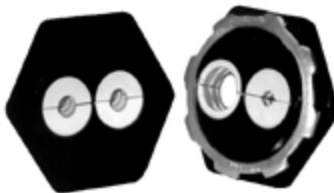
G2D-

AAA				BB		C		D		E		
CONDUCTOR TYPE				Number of Poles (number of circuits)		Type of Entrance Cable		# of Entrance Fittings		Additional Options		
QTY	LINE		LOAD						Not to exceed # of circuits			
	QTY	WIRE RANGE	QTY	WIRE RANGE					Unused hole will be sealed			
270	1	4/0 AWG Crimp Lug	2	1/0 AWG-6 AWG	02	2 Poles (1 circuit)	0	Not Specified (Solid Plate)	A	N/A use when option 0, 3, or 4 is chosen in previous column C	1	Indicates Solid Plate on Bottom of Enclosure
271	1	4/0 AWG Crimp Lug	4	1/0AWG-6 AWG	04	4 Poles (2 circuit)	1	BOC-19 Flat Oval (7080)				
280	1	4/0 AWG Crimp Lug	1	300 MCM-1/0 AWG	06	6 Poles (3 circuit)	2	BOC-31 Round (7090)	1	one		Leave blank for none or see a Syndevco Representative
284	1	4/0 AWG Crimp Lug	2	300 MCM-1/0 AWG	08	8 Poles (4 circuit)	3	2 AWG 3 cond. (Hat Grommets)	2	two		
210	2	1/0 AWG-6 AWG	2	1/0 AWG-6 AWG	See a Syndevco Representative for Further Options		4	Hole Pattern for Cage Bushing	3	three		
See a Syndevco Representative for Further Options						See a Syndevco Representative for Further Options		4	four			
								See a Syndevco Representative for Further Options				

Please see our Strain Relief products for further design solutions



3000 Series Strain Aids



2490 Series Split Bushings



7000 Series Cage Bushings

Notice: The information contained herein is, to the best of our knowledge, true, accurate and reliable. Since procedures and conditions under which these products may be used are beyond our control, no warranty, expressed or implied, is made to their performance.



Syndevco Inc.

24205 Telegraph Rd - Southfield MI 48033
 Toll Free: (800) 356-2839 Local: (248) 356-2839 Fax: (248) 356-0928
 visit us at: www.syndevco.com