



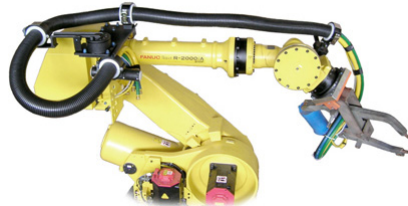
ENGINEERED SOLUTIONS & SERVICES

Spring Retraction Systems—Torsional and Linear



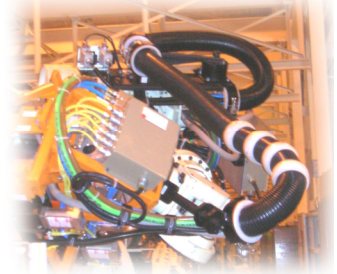
SH Series
(3 bundle sizes)

- 36 mm*
- 29 mm
- 23 mm



TH Series
(1 bundle size)

- 48 mm*



UH Series
(2 bundle sizes)

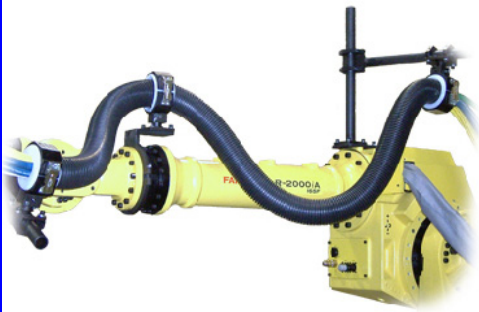
- 70 mm*
- 56 mm

LH Series
(1 bundle size)

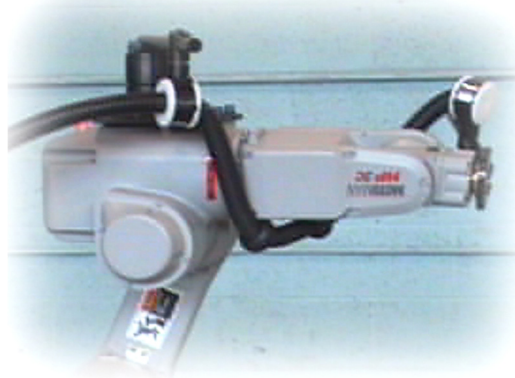
- 95 mm*

* indicates most common size for each series

Floating Style, Short Travel and Basket Assemblies



Floating Style



Short Stroke Retract

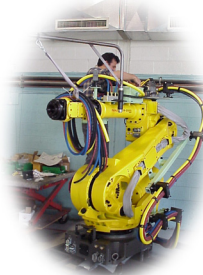


Basket Assembly

Services



Engineering & Robot Dress Consultation



Integration

- On- site
- In- House



24205 Telegraph Rd. Southfield, MI 48033

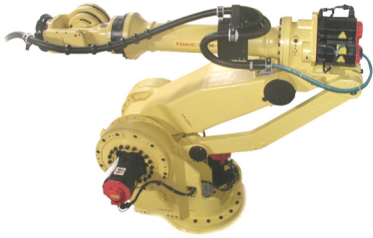
Toll Free: 800-356-2839 Local: 248-356-2839 Fax: 248-356-0928

visit us at: www.syndevco.com

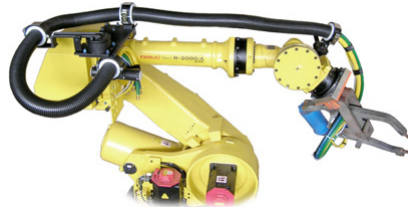


ENGINEERED SOLUTIONS & SERVICES

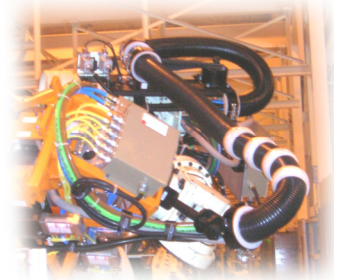
Spring Retraction Systems—Torsional and Linear



- SH Series**
(3 bundle sizes)
- 36 mm*
 - 29 mm
 - 23 mm



- TH Series**
(1 bundle size)
- 48 mm*

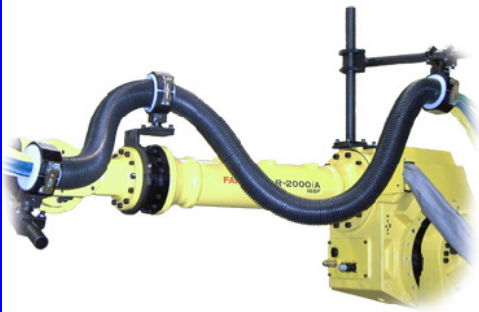


- UH Series**
(2 bundle sizes)
- 70 mm*
 - 56 mm

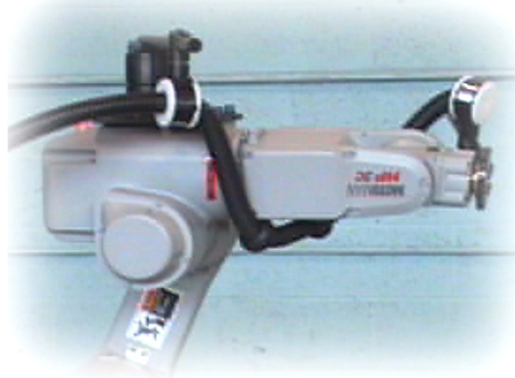
- LH Series**
(1 bundle size)
- 95 mm*

* indicates most common size for each series

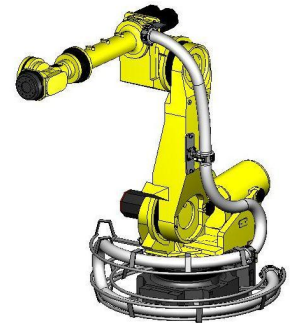
Floating Style, Short Travel and Basket Assemblies



Floating Style



Short Stroke Retract



Basket Assembly

Services



Engineering & Robot Dress Consultation



Integration

- On- site
- In- House



24205 Telegraph Rd. Southfield, MI 48033

Toll Free: 800-356-2839 Local: 248-356-2839 Fax: 248-356-0928

visit us at: www.syndevco.com



Torsion Spring Retract Robot Dress Solution

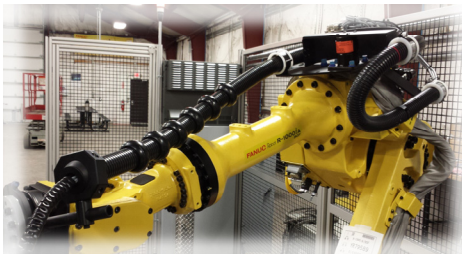
(248) 356-2839

Easy and minimal adjustments to match configuration and robot path of highly articulating robots

Features

- Offers superior protection of utilities
- Minimal amount of labor required to match configuration and robot path
- Very close to robot arm to limit obstruction
- Best solution for very high articulating robots
- Easy replacement of hose or cable
- Allows flexibility to rearrange routing to match robot path and avoid fixtures
- Increased cable/ hose life
- Decreased downtime
- Robot Dress assistance readily available
- 'Value added' services available

SH Series Torsion Spring Retract



- 18 inches (457mm) of stored router

Step 1 Choose Offset Side

- Left
- Right

Step 2 Choose Router Diameter

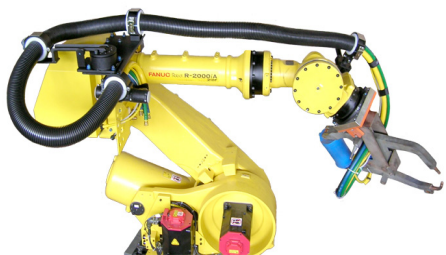
- Less than 36mm
- Less than 29mm
- Less than 23mm

Step 3 Identify robot manufacturer and model

Step 4 Identify utility bundle

- Complete utilities or
- Bundle diameter

UH Series Torsion Spring Retract



- 23 inches (584mm) of stored router

Step 1 Choose Offset Side

- Left
- Right

Step 2 Choose Router Diameter

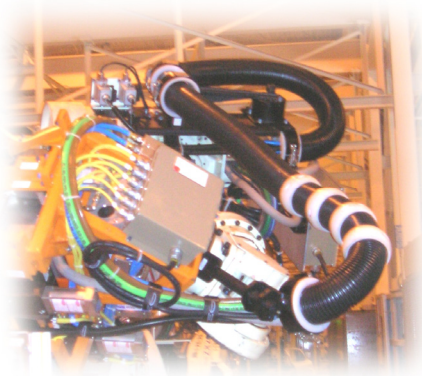
- Less than 70mm
- Less than 56mm
- Less than 48mm

Step 3 Identify robot manufacturer and model

Step 4 Identify utility bundle

- Complete utilities or
- Bundle diameter

LH Series Torsion Spring Retract



- 26 inches (660mm) of stored router

Step 1 Choose Offset Side

- Left
- Right

Step 2 Choose Router Diameter

- Less than 95mm

Step 3 Identify robot manufacturer and model

Step 4 Identify utility bundle

- Complete utilities or
- Bundle diameter

Notice: The information contained herein is, to the best of our knowledge, true, accurate and reliable. Since procedures and conditions under which these products may be used are beyond our control, no warranty, expressed or implied, is made to their performance.



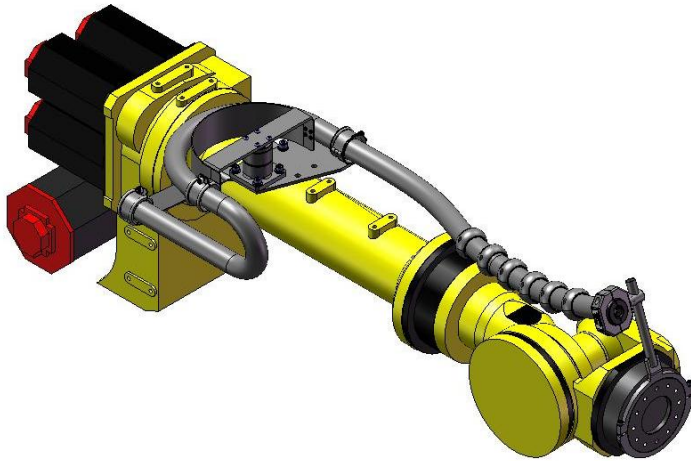
Syndevco Inc.

24205 Telegraph Rd - Southfield MI 48033
 Toll Free: (800) 356-2839 Local: (248) 356-2839 Fax: (248) 356-0928
 visit us at: www.syndevco.com



Torsion Spring Retract Robot Dress Solution

Examples

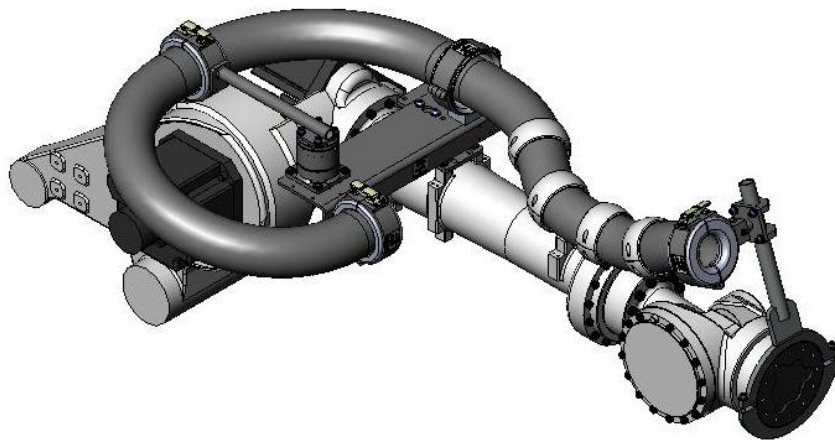


SH Series Torsion Spring Retract (as shown)

- Right Hand
- Router—36mm
- Fanuc R2000iB-210 Robot

UH Series Torsion Spring Retract (as shown)

- Right Hand
- Router—70mm
- Motoman MH180 Robot



LH Series Torsion Spring Retract (as shown)

- Right Hand
- Router—95mm
- Kawasaki ZXE300S Robot

Notice: The information contained herein is, to the best of our knowledge, true, accurate and reliable. Since procedures and conditions under which these products may be used are beyond our control, no warranty, expressed or implied, is made to their performance.



DQS Inc.
Syndevco Inc.
Registered to ISO 9001:2015
10002227 QM15

Syndevco Inc.

Sheet: 230818

24205 Telegraph Rd - Southfield MI 48033

Toll Free: (800) 356-2839 Local: (248) 356-2839 Fax: (248) 356-0928

visit us at: www.syndevco.com



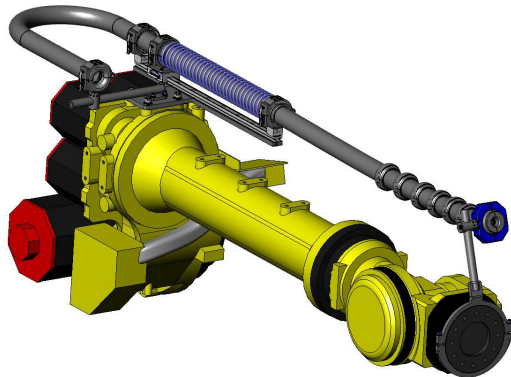
Linear Slide Retract Robot Dress Solution

(248) 356-2839

Easy and minimal adjustments to match configuration and robot path of high articulating robots

Features

- Length of assembly is flexible and easy to adjust
- Multiple units can be mounted side by side in various orientations
- Custom linear slide sizes and lengths available
- Excellent solution for very high articulating robots
- Minimal amount of labor required to match configuration and robot path
- Very close to robot arm to limit obstruction
- Allows flexibility to rearrange routing to match robot path and avoid fixtures
- Increased cable/ hose life
- Decreased downtime
- Robot Dress assistance readily available



SH Series Linear Slide Retract

- Standard kit provides 16 inches of retraction

Step 1

Choose Router Diameter

- 36mm
- 29mm
- 23mm

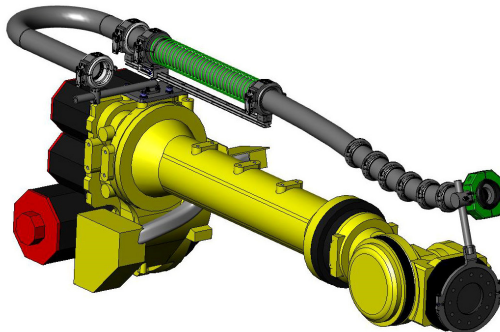
Step 2

Identify robot manufacturer and model

Step 3

Identify utility bundle

- Complete utilities or
- Bundle diameter



TH Series Linear Slide Retract

- Standard kit provides 16 inches of retraction

Step 1

Choose Router Diameter

- 48mm

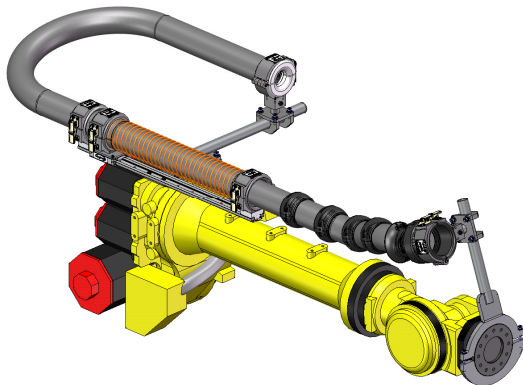
Step 2

Identify robot manufacturer and model

Step 3

Identify utility bundle

- Complete utilities or
- Bundle diameter



UH Series Linear Slide Retract

- Standard kit provides 22 inches of retraction

Step 1

Choose Router Diameter

- 70mm
- 56mm

Step 2

Identify robot manufacturer and model

Step 3

Identify utility bundle

- Complete utilities or
- Bundle diameter

Notice: The information contained herein is, to the best of our knowledge, true, accurate and reliable. Since procedures and conditions under which these products may be used are beyond our control, no warranty, expressed or implied, is made to their performance.



DQS Inc.
Syndevco Inc.
Registered to ISO 9001:2015
1000227 QM15

Syndevco Inc.

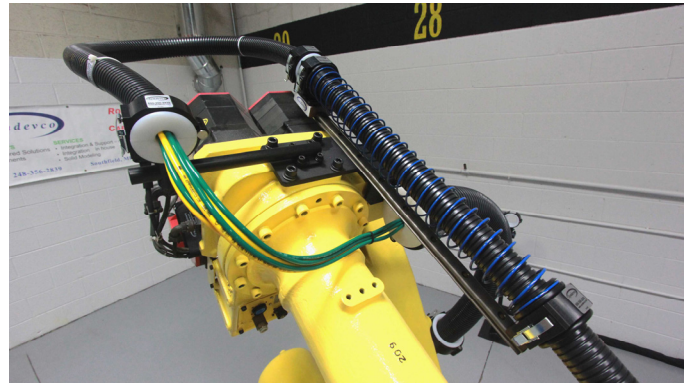
24205 Telegraph Rd - Southfield MI 48033

Toll Free: (800) 356-2839 Local: (248) 356-2839 Fax: (248) 356-0928

visit us at: www.syndevco.com



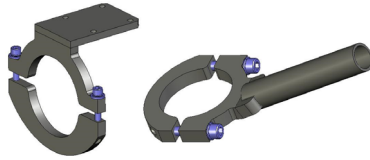
Linear Slide Retract Robot Dress Solution



Please see our other products for further design solutions



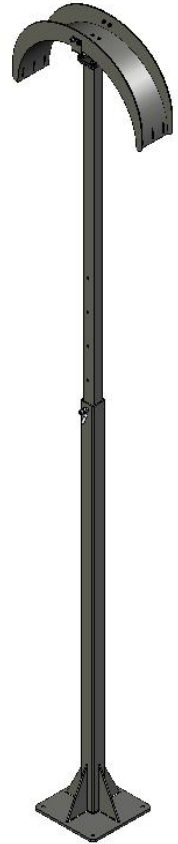
Corrugated Tube & Wear Bands



Cylinder Brackets



Velcro Straps



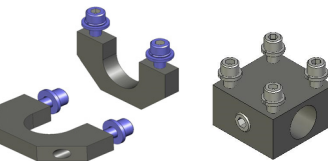
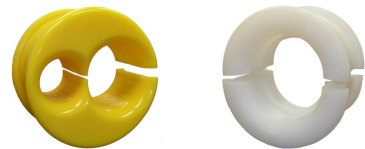
Stand Assemblies



Clamps & Inserts



Post Brackets



Transition Brackets

Notice: The information contained herein is, to the best of our knowledge, true, accurate and reliable. Since procedures and conditions under which these products may be used are beyond our control, no warranty, expressed or implied, is made to their performance.



Syndevco Inc.

Sheet: 230818

24205 Telegraph Rd - Southfield MI 48033

Toll Free: (800) 356-2839 Local: (248) 356-2839 Fax: (248) 356-0928

visit us at: www.syndevco.com



Floating Robot Dress Solution

(248) 356-2839

Offers protection of utilities. Flexible components allow dress to match configuration and robot path

Features

- Protects utilities
- Moderate amount of labor to adjust to match configuration and robot path
- Close to robot arm to limit obstruction
- Easy replacement of hose or cable
- Allows flexibility to rearrange routing to match robot path and avoid fixtures
- Increased cable/ hose life
- Decreased downtime
- Cost effective
- Manufactured using standard components from the series- UH Clamps, SA Brackets, and SD Brackets
- Robot Dress assistance readily available
- 'Value added' services available



SH Series Floating Style

Step 1

Choose Router Diameter

- Less than 36mm
- Less than 29mm

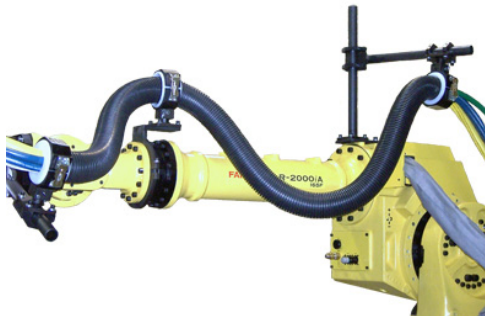
Step 2

Identify robot manufacturer and model

Step 3

Identify utility bundle

- Complete utilities or
- Bundle diameter



UH Series Floating Style

Step 1

Choose Router Diameter

- Less than 70mm
- Less than 56mm
- Less than 48mm

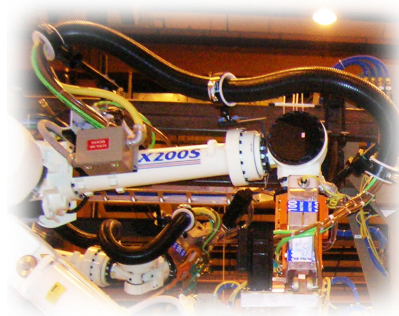
Step 2

Identify robot manufacturer and model

Step 3

Identify utility bundle

- Complete utilities or
- Bundle diameter



LH Series Floating Style

Step 1

Choose Router Diameter

- Less than 95mm

Step 2

Identify robot manufacturer and model

Step 3

Identify utility bundle

- Complete utilities or
- Bundle diameter

Notice: The information contained herein is, to the best of our knowledge, true, accurate and reliable. Since procedures and conditions under which these products may be used are beyond our control, no warranty, expressed or implied, is made to their performance.



Syndevco Inc.

24205 Telegraph Rd - Southfield MI 48033
Toll Free: (800) 356-2839 Local: (248) 356-2839 Fax: (248) 356-0928
visit us at: www.syndevco.com

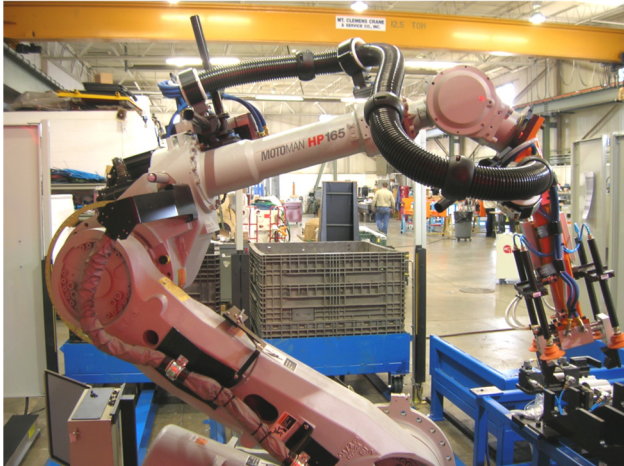
DQS Inc.
Registered to ISO 9001:2015
10002227 QM15



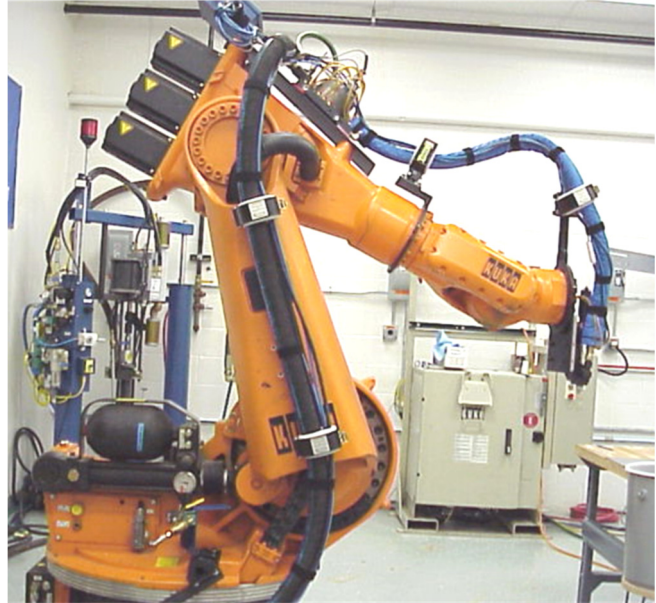
FS Floating Robot Dress Solution

Installations

UH Series Floating Style



FS70C on a Motoman HP165

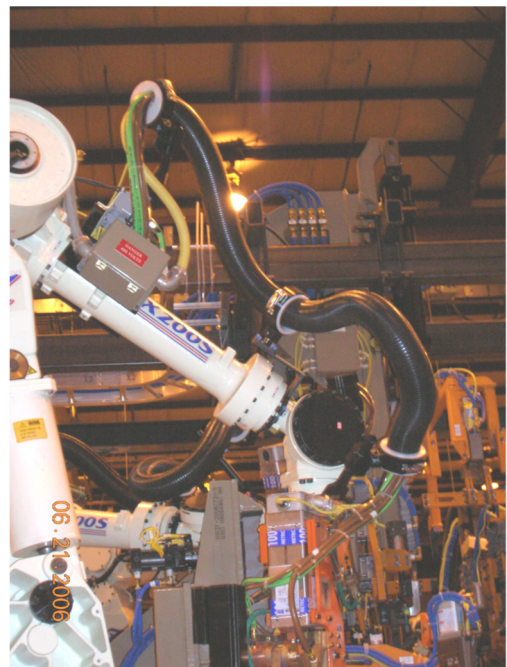


Modified FS dressout on KUKA KR210 with Axis 1 to Axis 3 additional dress

LH Series Floating Style



FS95C on a Kawasaki ZZT200S



FS95C on a Kawasaki ZX200S

Notice: The information contained herein is, to the best of our knowledge, true, accurate and reliable. Since procedures and conditions under which these products may be used are beyond our control, no warranty, expressed or implied, is made to their performance.



Syndevco Inc. Sheet: 230818
24205 Telegraph Rd - Southfield MI 48033
Toll Free: (800) 356-2839 Local: (248) 356-2839 Fax: (248) 356-0928
visit us at: www.syndevco.com



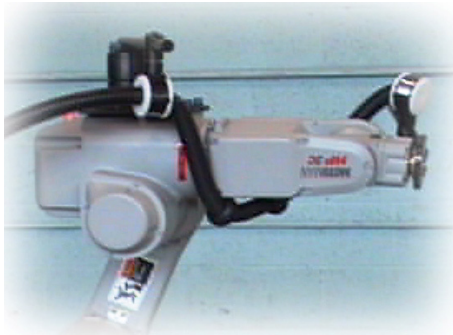
Short Stroke Robot Dress Solution

(248) 356-2839

Simple utility protection for small utilities. Approx 6 inches of utilities can be stored

Features

- Protects utilities
- Easily added to existing installations
- Approx 6 inches of utilities can be stored with the spring retract mechanism
- Controls bundle in a predictable manner
- Keeps bundle from catching on fixtures and work pieces
- Increased cable/ hose life
- Decreased downtime
- Robot Dress assistance readily available
- 'Value added' services available



SH Series Short Stroke

- 10 inches (254mm) of stored router

Step 1

Choose Offset Side

- Left
- Right

Step 2

Choose Router Diameter

- Less than 36mm
- Less than 29mm
- Less than 23mm

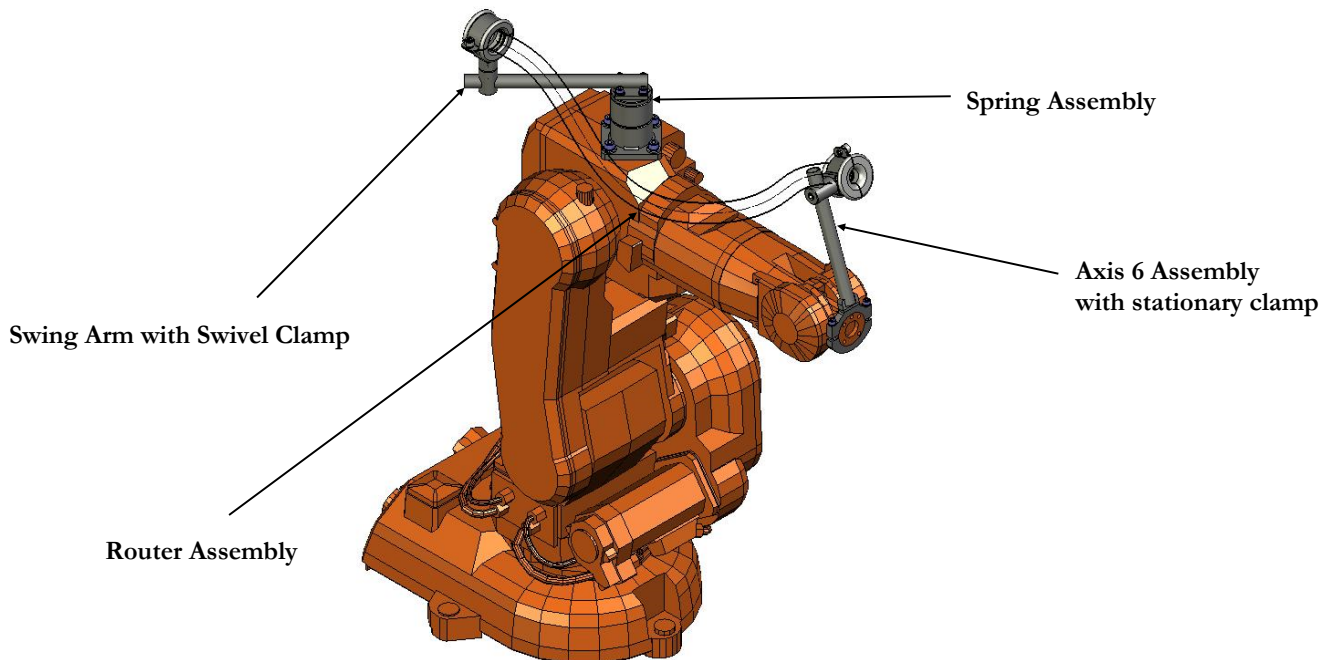
Step 3

Identify robot manufacturer and model

Step 4

Identify utility bundle

- Complete utilities or
- Bundle diameter



Notice: The information contained herein is, to the best of our knowledge, true, accurate and reliable. Since procedures and conditions under which these products may be used are beyond our control, no warranty, expressed or implied, is made to their performance.



DQS Inc.
Syndevco Inc.
Registered to ISO 9001:2015
10002227 QM15

Syndevco Inc.

Sheet: 230818

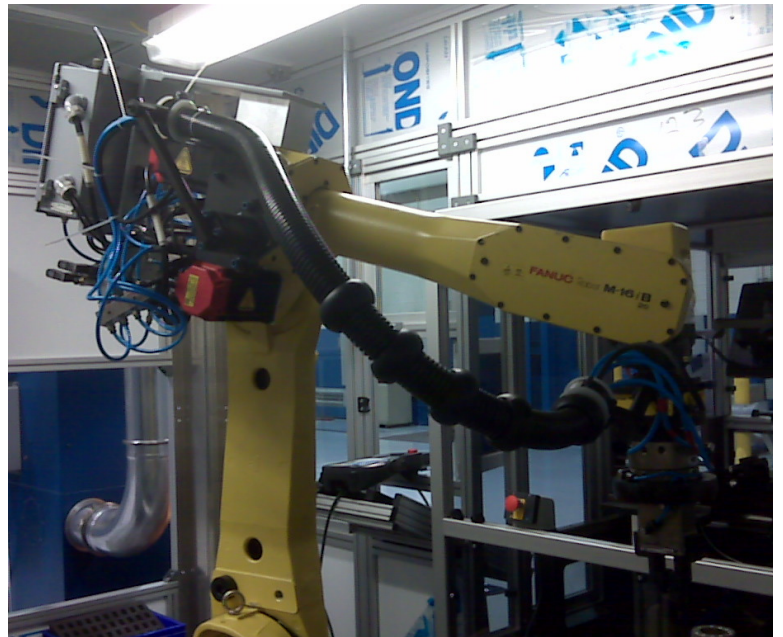
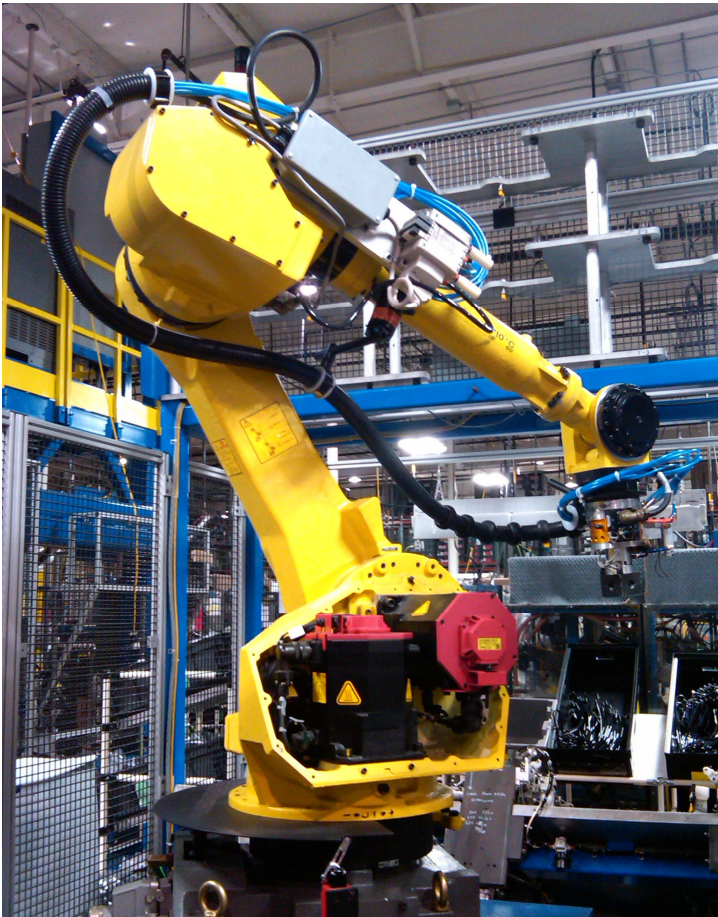
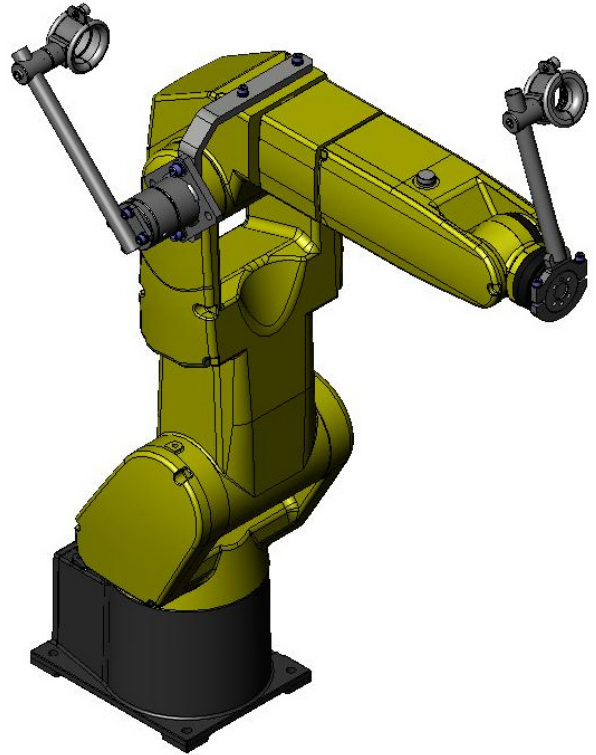
24205 Telegraph Rd - Southfield MI 48033

Toll Free: (800) 356-2839 Local: (248) 356-2839 Fax: (248) 356-0928

visit us at: www.syndevco.com



Short Stroke Robot Dress Solution



Notice: The information contained herein is, to the best of our knowledge, true, accurate and reliable. Since procedures and conditions under which these products may be used are beyond our control, no warranty, expressed or implied, is made to their performance.



DOS Inc
Syndevco Inc.
Registered to ISO 9001:2015
10002227 QM15

Syndevco Inc.

Sheet: 230818

24205 Telegraph Rd - Southfield MI 48033

Toll Free: (800) 356-2839 Local: (248) 356-2839 Fax: (248) 356-0928

visit us at: www.syndevco.com



Basket Assemblies

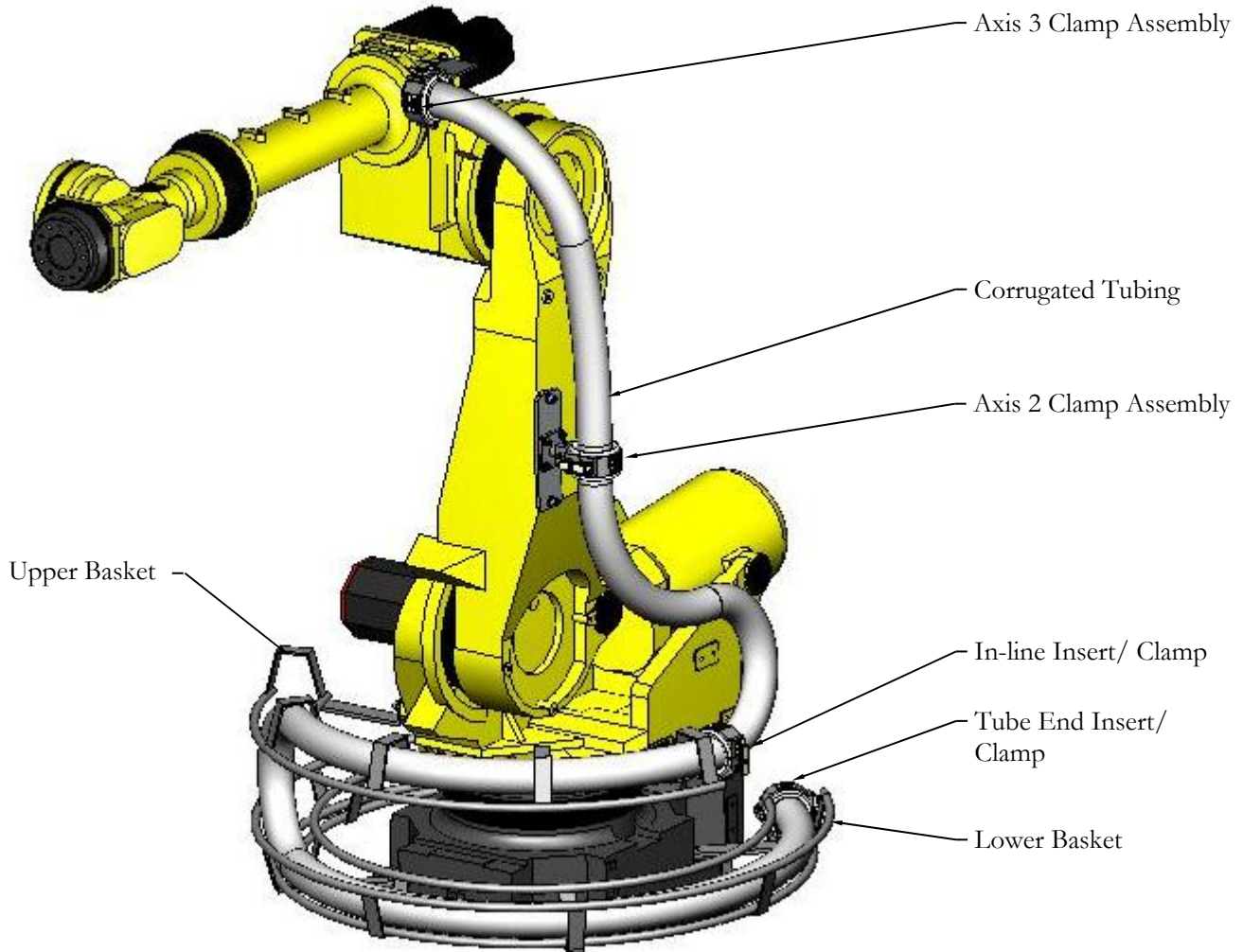
(248) 356-2839

Rigid, light weight brackets to use with utility clamps to route utilities around the robot base (Axis-1)

Features

- Allows flexibility for 360 degree movement around the robot base
- Secures and protects utilities while robot rotates
- Maintains minimum bend radius
- Decrease downtime
- Use with **SH**, **TH**, **UH** and **LH** series utility clamps
- Robot Dress Assistance readily available
- 'Value added' services available
- Decrease downtime

UH Series Basket Assembly (with lower arm dress)



Notice: The information contained herein is, to the best of our knowledge, true, accurate and reliable. Since procedures and conditions under which these products may be used are beyond our control, no warranty, expressed or implied, is made to their performance.



DQS Inc.
Syndevco Inc.
Registered to ISO 9001:2015
10002227 QM15

Syndevco Inc.

Sheet: 230818

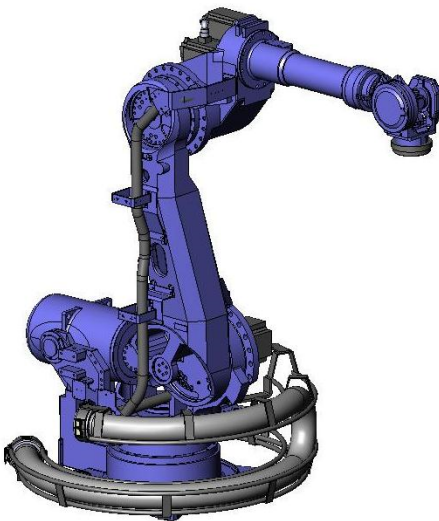
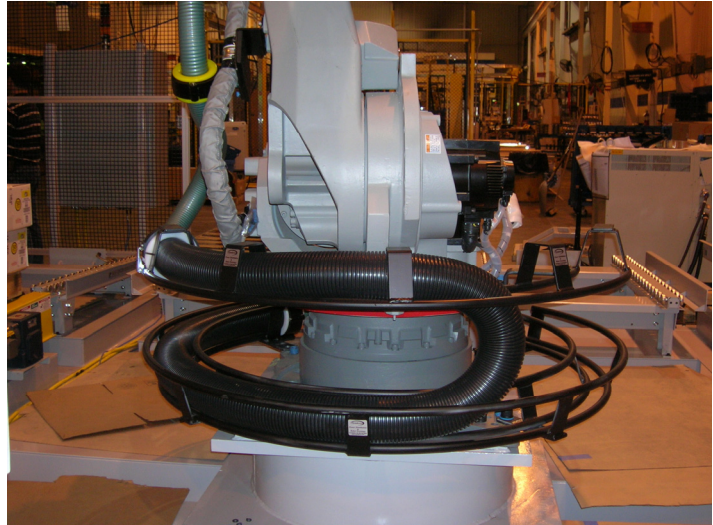
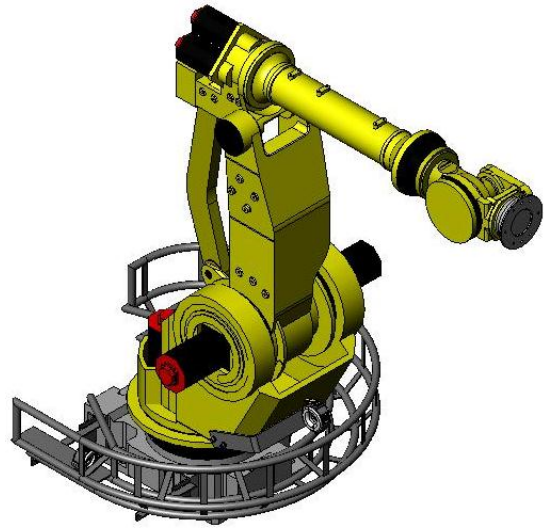
24205 Telegraph Rd - Southfield MI 48033

Toll Free: (800) 356-2839 Local: (248) 356-2839 Fax: (248) 356-0928

visit us at: www.syndevco.com



Basket Assemblies



Notice: The information contained herein is, to the best of our knowledge, true, accurate and reliable. Since procedures and conditions under which these products may be used are beyond our control, no warranty, expressed or implied, is made to their performance.



Syndevco Inc.

24205 Telegraph Rd - Southfield MI 48033
Toll Free: (800) 356-2839 Local: (248) 356-2839 Fax: (248) 356-0928
visit us at: www.syndevco.com



Engineering & Dress Consultation

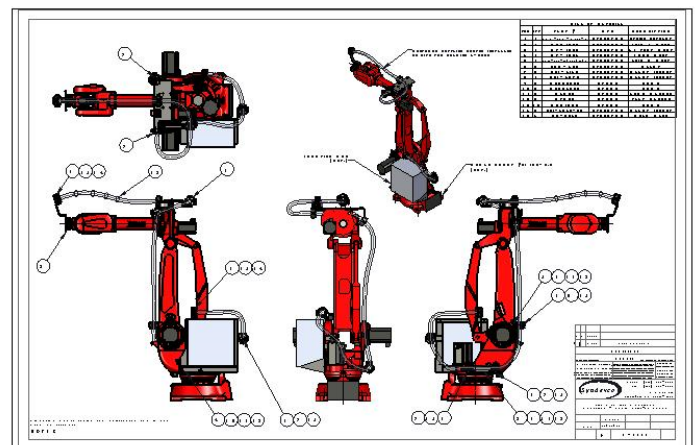
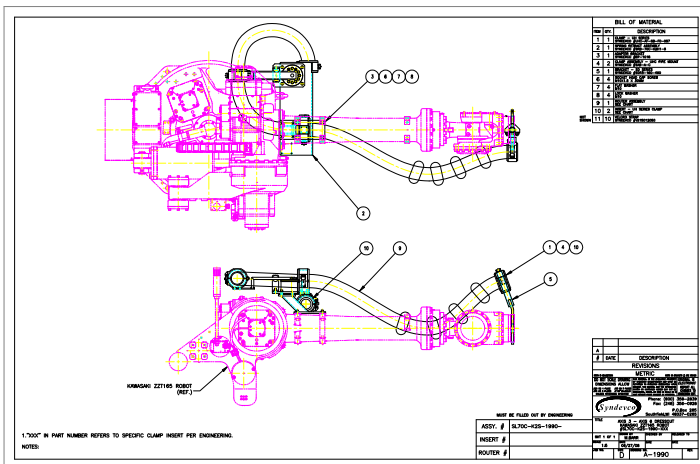
(248) 356-2839

Customized dress solutions for new applications or solutions for existing installations

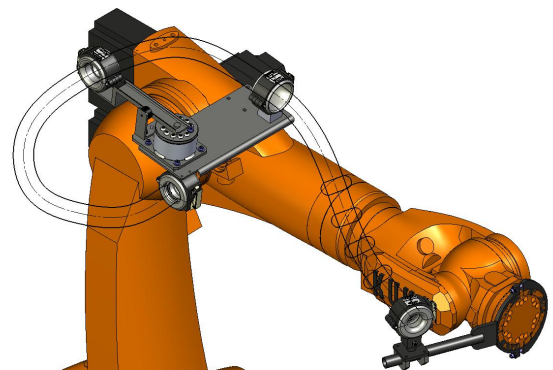
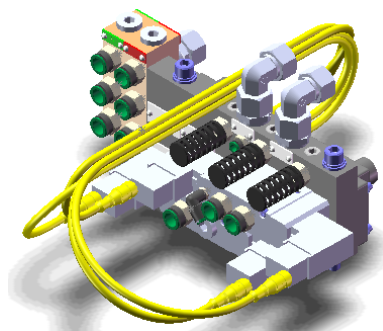
Features

- 2D Drawings
- 3D Models
- Mechanical Design/ Control Design
- BOM creation
- Michigan licensed Professional Engineers on staff
- Custom designs for dressouts from base of the robot to the tool (off-robot, base, all axis, tool changer and EOAT)
- Dress Consultation—On- Site
- Dress Consultation— Remote video

2D Drawings



3D Drawings



Notice: The information contained herein is, to the best of our knowledge, true, accurate and reliable. Since procedures and conditions under which these products may be used are beyond our control, no warranty, expressed or implied, is made to their performance.



Syndevco Inc.

Sheet: 230818

24205 Telegraph Rd - Southfield MI 48033

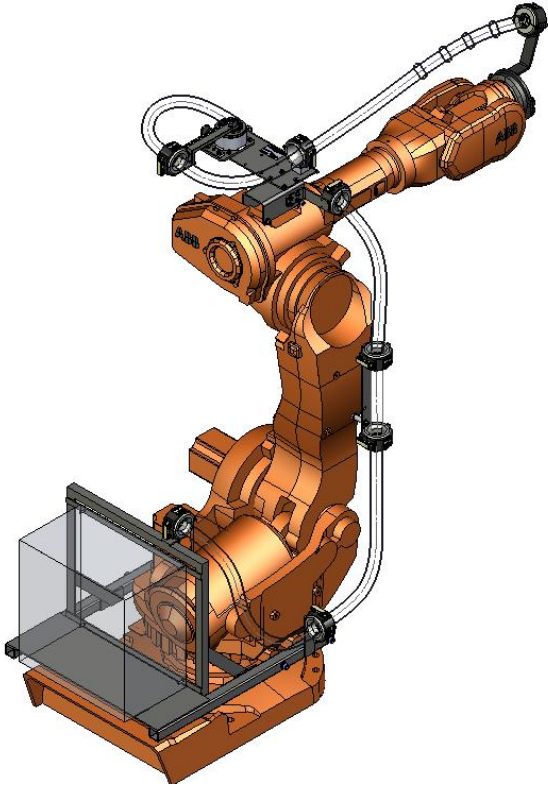
Toll Free: (800) 356-2839 Local: (248) 356-2839 Fax: (248) 356-0928

visit us at: www.syndevco.com



Engineering & Dress Consultation

Custom Designs



Dressout Axis 1 to Axis 6

- Spring Retract Dress solution
- Axis 1 to Axis 3 created for application
- Control Assembly mounted on Axis 1

Dress Consultation

On- Site

- Quick visit to view robot path

Remote- Video Consultation

- Video sent of robot with dress issues– excess wear/ downtime
- Dress is evaluated by Syndevco engineers- typically 2 recommendations are given:
 - engineered solution
 - components to improve dress
- Saves time as video can be sent via e-mail at anytime

engineering@syndevco.com



Notice: The information contained herein is, to the best of our knowledge, true, accurate and reliable. Since procedures and conditions under which these products may be used are beyond our control, no warranty, expressed or implied, is made to their performance.



Syndevco Inc.

24205 Telegraph Rd - Southfield MI 48033

Toll Free: (800) 356-2839 Local: (248) 356-2839 Fax: (248) 356-0928

visit us at: www.syndevco.com



Dress Integration On-Site & In-House

(248) 356-2839

Robot Dress can be installed and adjusted on location or in-house for a turn key solution

On-Site

- End User locations
- Integrator locations
- Install dress packages
- Adjustment services
- Robot Dress Buy-off includes warranty
- Robot Dress Notes for quick evaluation and detailed information to complete when time permits
- Full commissioning
- Work accomplished anytime– holidays, shut downs, nights, weekends, etc.

In-House

- Southfield, MI location
- Robot dress install
- EOAT Install
- Servo gun Tuning
- Robot controller software loads
- Weld controller integration
- Full commissioning
- Simulation runs
- Average 40 robots integrated per week
- Up to 150 robots integrated per week



Notice: The information contained herein is, to the best of our knowledge, true, accurate and reliable. Since procedures and conditions under which these products may be used are beyond our control, no warranty, expressed or implied, is made to their performance.



Syndevco Inc.
Registered to ISO 9001:2015
10002227 QM15

Syndevco Inc.

Sheet: 230818

24205 Telegraph Rd - Southfield MI 48033

Toll Free: (800) 356-2839 Local: (248) 356-2839 Fax: (248) 356-0928

visit us at: www.syndevco.com



Dress Integration On-Site & In- House



Notice: The information contained herein is, to the best of our knowledge, true, accurate and reliable. Since procedures and conditions under which these products may be used are beyond our control, no warranty, expressed or implied, is made to their performance.



Syndevco Inc.

24205 Telegraph Rd - Southfield MI 48033
Toll Free: (800) 356-2839 Local: (248) 356-2839 Fax: (248) 356-0928
visit us at: www.syndevco.com



CLAMPS AND INSERTS

Utility Clamps



SH Series Clamp

(54 mm ID)

- Stationary
- Swivel
- Stationary Post
- Swivel Post



TH Series Clamp

(70 mm ID)

- Stationary
- Swivel
- Stationary Post
- Swivel Post
- Stationary/ Swivel



UH Series Clamp (102 mm ID)

LH Series Clamp (133 mm)

- Stationary
- Swivel Only
- Stationary/ Swivel
- Dual Stationary/ Swivel

Clamp Inserts



SH, TH, UH, and LH Series

Plastic Inserts

- Single Hole
- Dual Hole
- Corrugated Tube End
- Corrugated Tube In-line
- Corrugated Tube Slider



SH, TH, UH, and LH Series

Urethane Inserts

- Single Hole
- Dual Hole
- Multi- Hole

Multi-Clamp and Inserts



3 or 6 hole Configurations

- Each hole can be different size
- Max size 25.4 mm

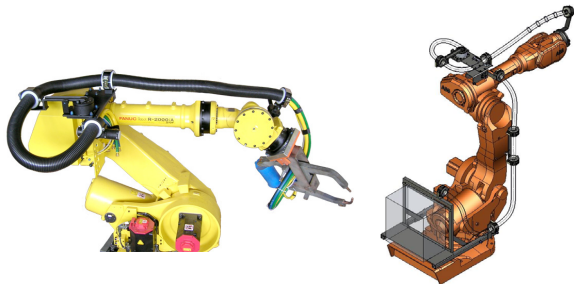
24205 Telegraph Rd. Southfield, MI 48033

Toll Free: 800-356-2839 Local: 248-356-2839 Fax: 248-356-0928

visit us at: www.syndevco.com



Robot Dressings/ Cable Management & Power Distribution



Engineered Solutions & Services



Support Assemblies & Manifolds



Clamps & Inserts



Cables & Grips



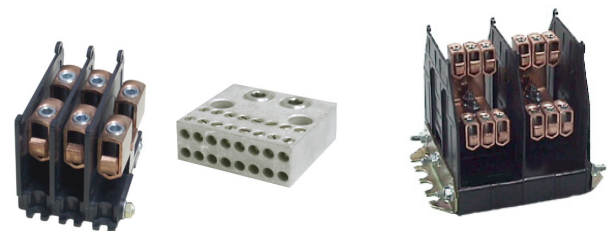
Brackets & Cable Management



Enclosure Assemblies

- Stability– over 50 years in business
- Experienced representation
- Timely response to customer requests/ requirements
- Deliveries– many stocked components to 15 day lead times
- Focused efforts– manufacturing

Syndevco



Terminal Blocks

24205 Telegraph Rd. Southfield, MI 48033
Toll Free: 800-356-2839 Local: 248-356-2839 Fax: 248-356-0928
visit us at: www.syndevco.com



Utility Clamps & Mounting Hardware

(248) 356-2839

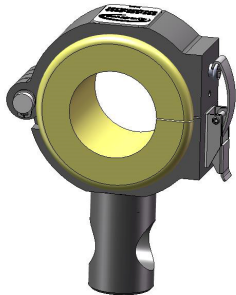
Hinged Clamps in four sizes that all have a variety of mounting hardware designed to accommodate any situation

Features

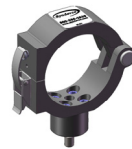
- Quick release clasp
- Lightweight aluminum construction
- Anodized for long lasting service

SH Series Clamp - 54mm ID

- Use with SHI inserts and RD brackets



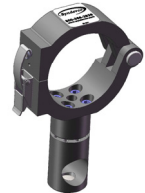
SHC-A00
Stationary



SHC-AS1
Swivel only



SHC-A0P
Post Mount/
Stationary



SHC-ASP
Post Mount/
Swivel

TH Series Clamp - 76mm ID

- Use with THI inserts and either RD, SA or SD brackets



THC-A00
Stationary



THC-AS1
Swivel only



THC-A0P
Post
Mount/
Stationary



THC-ASP
Post Mount/
Swivel

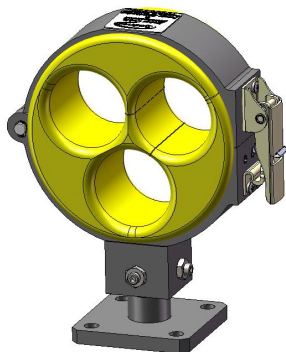


THC-AF-SB-F0
Swivel/
Stationary

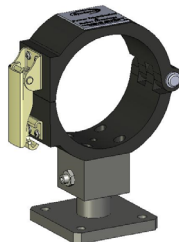
UH Series Clamp - 102mm ID

LH Series Clamp - 133mm ID

- Use with UHI, LHI, SA, and SD brackets



UHC-A00
LHC-A00
Stationary



UHC-AF-SB-F0-057
LHC-AF-SB-F0-057
Swivel/
Stationary



UHC-AF-DB-F0-057
Dual Swivel/
Stationary
**available only with UH
Series clamps*



Notice: The information contained herein is, to the best of our knowledge, true, accurate and reliable. Since procedures and conditions under which these products may be used are beyond our control, no warranty, expressed or implied, is made to their performance.



DQS Inc.
Syndevco Inc.
Registered to ISO 9001:2015
1000227 QM15

Syndevco Inc.

Sheet: 230818

24205 Telegraph Rd - Southfield MI 48033

Toll Free: (800) 356-2839 Local: (248) 356-2839 Fax: (248) 356-0928

visit us at: www.syndevco.com



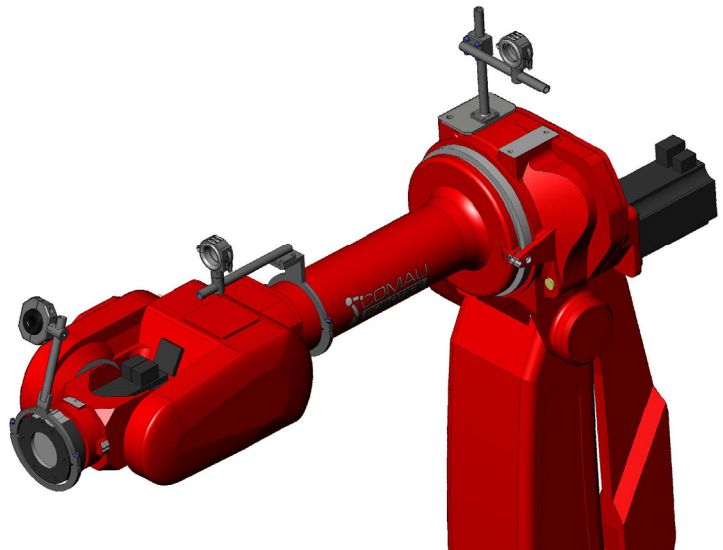
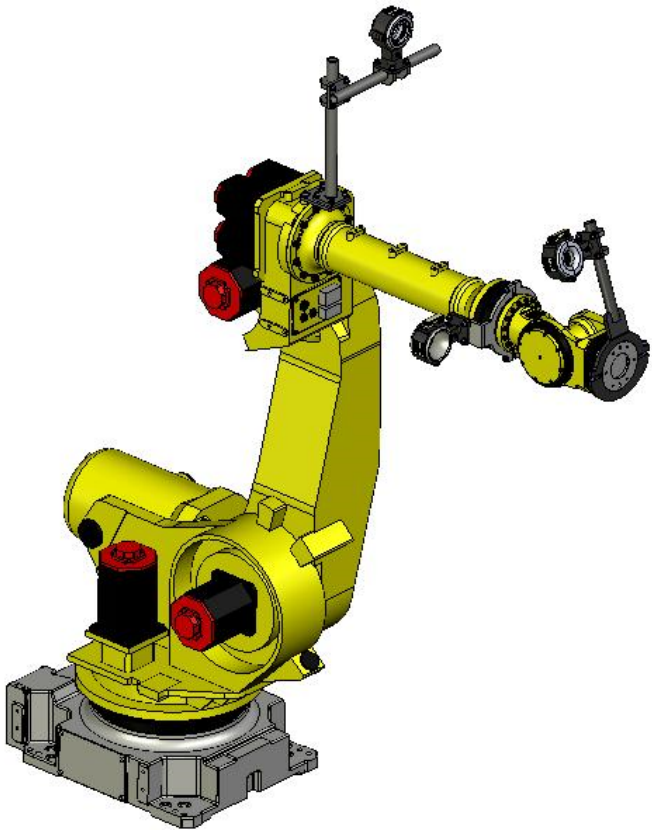
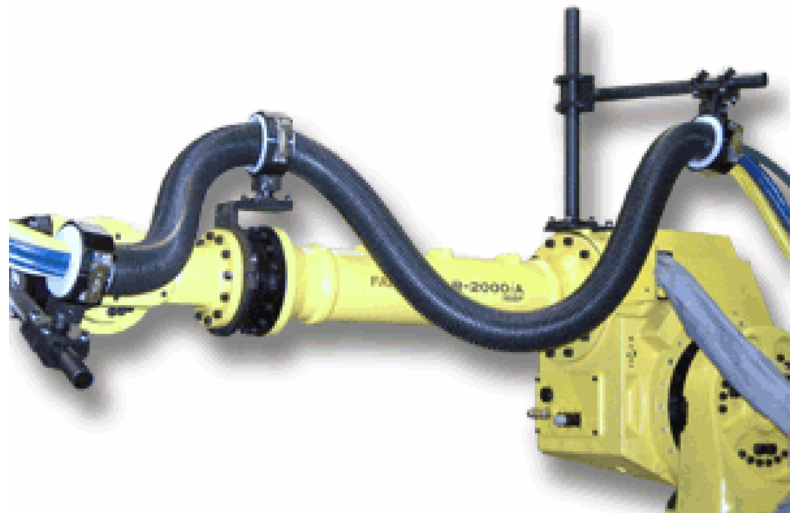
Utility Clamps & Mounting Hardware

Usage Examples

Fixtures – fence posts, rails, tooling, etc.



Robots - multiple configurations of clamps allow for proper application.



Notice: The information contained herein is, to the best of our knowledge, true, accurate and reliable. Since procedures and conditions under which these products may be used are beyond our control, no warranty, expressed or implied, is made to their performance.



Syndevco Inc.

24205 Telegraph Rd - Southfield MI 48033
Toll Free: (800) 356-2839 Local: (248) 356-2839 Fax: (248) 356-0928
visit us at: www.syndevco.com



Clamp Inserts - UHMW

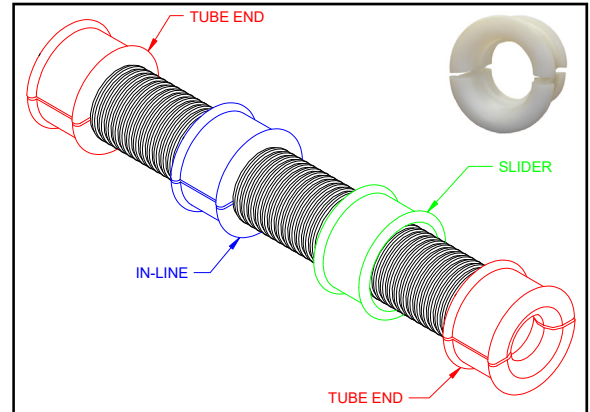
For use with Corrugated Tubing

(248) 356-2839

Inserts used in conjunction with SH, TH, UH, and LH Series Clamps, are available in variety of configurations

Features

- Use with Utility Clamps– **SH, TH, UH** and **LH**
- Color– White
- 2 pc Firm material design
- Many Configurations available
- Custom requirements easily met
- Robot Dress assistance readily available
- ‘Value added’ services available



Compatibility & Part Numbering

Corrugated Tube sizes compatible with each clamp series:

- | | | | |
|------------------|------------------|------------------|------------------|
| SH Series | TH Series | UH Series | LH Series |
| • 36 mm | • 48 mm | • 70 mm | • 95 mm |
| • 29 mm | | • 56 mm | |
| • 23 mm | | | |

Tube End Inserts

Terminates the Corrugated Tubing and has a custom sized through hole designed to fit the utility bundle.

Part Numbering:

(series)I- AC (tube size)- ID mm

Examples:

SH Series

SHI-AC36-28

TH Series

THI-AC48-40

UH Series

UHI-AC70-50

LH Series

LHI-AC95-78

Tube End Inserts with Grommets

These inserts terminate Corrugated Tubing like our standard tube end inserts but these include a soft grommet to hold the utility bundle.

These components are sold together as two separate part numbers.

**Only offered in TH, UH and LH series*

Part Numbering:

(series)I- AC (tube size)- (series)GI

(series)GI- C (tube size)- ID mm

Examples:

TH Series

THI-AC48-TGI - Insert only

TGI-C48-40 - Grommet only

UH Series

UHI-AC70-UGI - Insert only

UGI-C70-50 - Grommet only

In-line Inserts

Designed with a ridge to hold the Corrugated Tubing in place

Part Numbering:

(series)I- AI (tube size)

Examples:

SHI-AI36

THI-AI48

UHI-AI70

LHI-AI95

Slider Inserts

Designed with a smooth face to allow the Corrugated Tubing to pass through

Part Numbering:

(series)I- AS (tube size)

Examples:

SHI-AS36

THI-AS48

UHI-AS70

LHI-AS95

Notice: The information contained herein is, to the best of our knowledge, true, accurate and reliable. Since procedures and conditions under which these products may be used are beyond our control, no warranty, expressed or implied, is made to their performance.



DQS Inc
Syndevco Inc.
Registered to ISO 9001:2015
10002227 QM15

Syndevco Inc.

Sheet: 230818

24205 Telegraph Rd - Southfield MI 48033

Toll Free: (800) 356-2839 Local: (248) 356-2839 Fax: (248) 356-0928

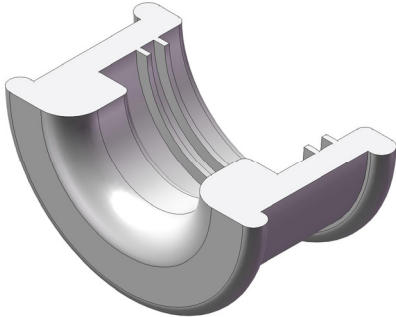
visit us at: www.syndevco.com



Clamp Inserts UHMW

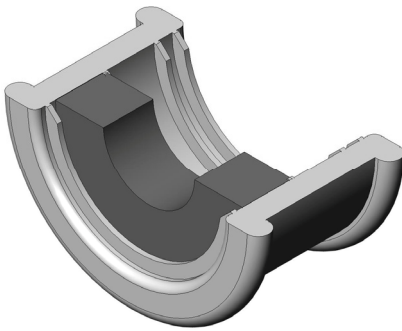
For use with Corrugated Tubing

Insert Diagrams and Comparison



Tube End Inserts

Terminates the Corrugated Tubing by utilizing two rings designed to fit into the corrugations and ensure the tubing cannot pull out. There is also a custom sized through hole designed to fit the utility bundle that has a rounded exit edge to minimize wear on the exposed utilities. This insert comes split in half for ease of installation and adjustment.

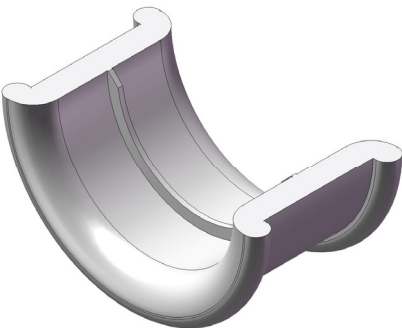


Tube End Inserts with Grommet

Terminates the Corrugated Tubing by utilizing two rings designed to fit into the corrugations and ensure the tubing cannot pull out. There is also a soft grommet with a custom sized through hole designed to fit the utility bundle to minimize wear on the exposed utilities. This insert comes split in half for ease of installation and adjustment.

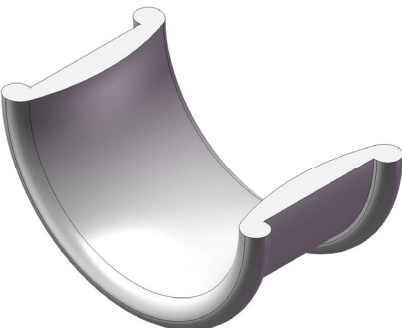
These components are sold together as two separate part numbers.

**Only offered in TH, UH and LH series*



Inline Inserts

Holds the Corrugated Tubing in place and prevents it from passing through by utilizing a single ring designed to fit into the corrugations. This insert comes split in half for ease of installation and adjustment.



Slider Inserts

Allows the Corrugated Tubing to pass through, or slide, by utilizing a smooth surface. This insert comes as a solid piece to reduce the chance of catching or wear on the corrugated tubing.

**Section view shown in diagram. Actual insert supplied as one solid piece*

Notice: The information contained herein is, to the best of our knowledge, true, accurate and reliable. Since procedures and conditions under which these products may be used are beyond our control, no warranty, expressed or implied, is made to their performance.



Syndevco Inc.

24205 Telegraph Rd - Southfield MI 48033

Toll Free: (800) 356-2839 Local: (248) 356-2839 Fax: (248) 356-0928

visit us at: www.syndevco.com



Clamp Inserts - Urethane

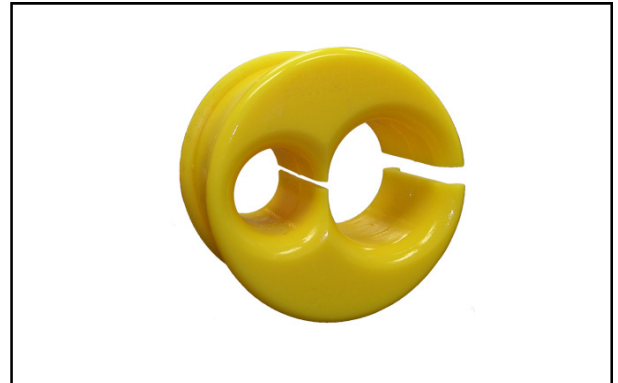
For use without Corrugated Tubing

(248) 356-2839

Inserts used in conjunction with SH, TH, UH, and LH Series Clamps, are pliable to further protect utilities

Features

- Use with Utility Clamps— **SH**, **TH**, **UH** and **LH**
- 1 pc— Slotted pliable design
- Many configurations available
- Custom designs available
- Robot Dress assistance available
- ‘Value added’ services available



Single and Multi-hole Configurations



Blank Insert Shown

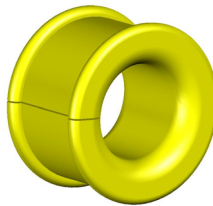
SH Series Inserts

Single Hole
xx = diameter in mm

Example:
SHI-B25
Blank Insert: SHI-B00-1

Dual Hole
xx = diameter in mm
yy = diameter in mm
• Smallest hole diameter listed first

Example:
SHI-B10/13



Single-Hole Insert Shown

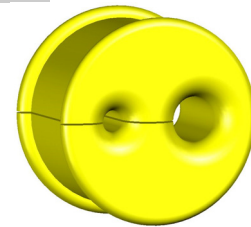
TH Series Inserts

Single Hole
xx = diameter in mm

Example:
THI-B35
Blank Insert: THI-B00-1

Dual Hole
xx = diameter in mm
yy = diameter in mm
• Smallest hole diameter listed first

Example:
THI-B18/25



Dual-Hole Insert Shown

UH Series Inserts

Single Hole
xx = diameter in mm

Example:
UHI-B45
Blank Insert: UHI-B00-1

Dual Hole
xx = diameter in mm
yy = diameter in mm
• Small hole diameter listed first

Example:
UHI-B34/36

LH Series Inserts

Single Hole
xx = diameter in mm

Example:
LHI-B100
Blank Insert: LHI-B00-1

Dual Hole
xx = diameter in mm
yy = diameter in mm
• Small hole diameter listed first

Example:
LHI-B34/60

Inserts can be configured to have more than two holes. We can custom design a hole pattern to fit your needs

Notice: The information contained herein is, to the best of our knowledge, true, accurate and reliable. Since procedures and conditions under which these products may be used are beyond our control, no warranty, expressed or implied, is made to their performance.



DQS Inc.
Syndevco Inc.
Registered to ISO 9001:2015
10002227 QM15

Syndevco Inc.

Sheet: 230818

24205 Telegraph Rd - Southfield MI 48033

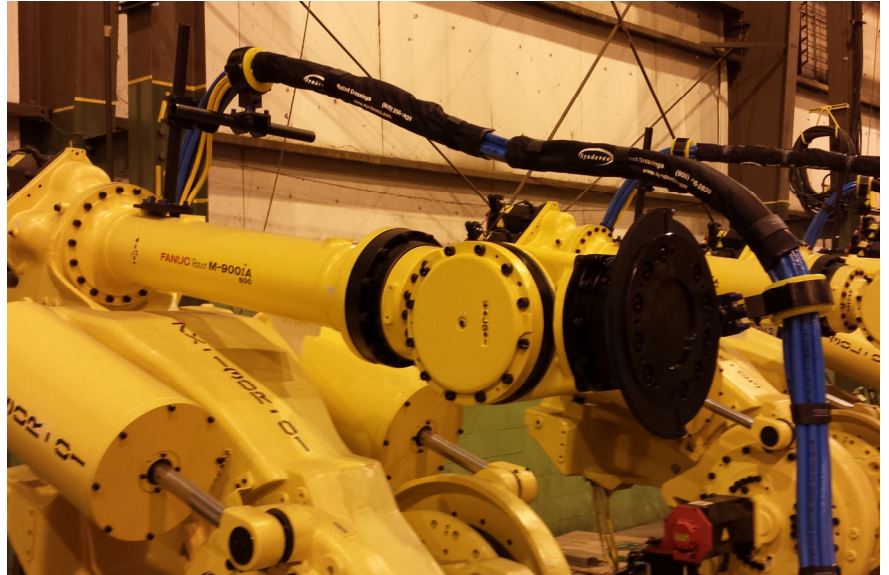
Toll Free: (800) 356-2839 Local: (248) 356-2839 Fax: (248) 356-0928

visit us at: www.syndevco.com



Clamp Inserts - Urethane

For use without Corrugated Tubing



Notice: The information contained herein is, to the best of our knowledge, true, accurate and reliable. Since procedures and conditions under which these products may be used are beyond our control, no warranty, expressed or implied, is made to their performance.



Syndevco Inc.

24205 Telegraph Rd - Southfield MI 48033
Toll Free: (800) 356-2839 Local: (248) 356-2839 Fax: (248) 356-0928
visit us at: www.syndevco.com



Gimbal Assembly

(248) 356-2839

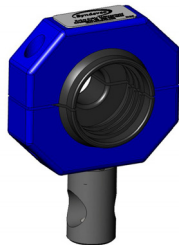
Gimbals used in conjunction with SH, TH and UH Series Clamps offer strain relief for corrugated tubing

Features

- Use with Utility Clamps – **SH, TH, and UH Series**
- Color– Black
- Provides additional strain relief for corrugated tubing at joint 6 connection point
- Approximately 20° orbital pivot capability
- Allows corrugated tube 360° of rotation
- Reduces torsional stress
- Many configurations available
- Custom requirements easily met
- Robot Dress assistance readily available
- ‘Value added’ services available



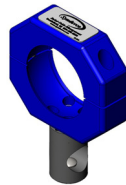
SH Series Gimbal Assembly



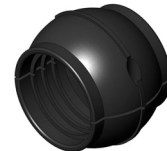
Corrugated Tube Sizes:
• 36 mm, 29 mm

SH Gimbal Assembly
SHG-C (tube size)- ID mm
Example:
SHG-C36-30-B0P
SHG-C29-20-B0P

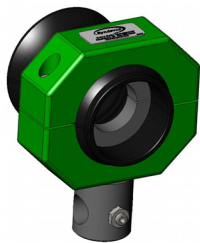
Gimbal Clamp only
SHG-B0P-A (Post Mount)



Gimbal Ball
SHG-C36-30
SHG-C29-20



TH Series Gimbal Assembly



Corrugated Tube Sizes:
• 48 mm

TH Gimbal Assembly
THG-C (tube size)- ID mm
Example:
THG-C48-40-B0P

Gimbal Clamp only
THG-B0P-A (Post Mount)



Gimbal Ball (Trumpet)
THG-C48-BALL



Gimbal Grommet
TGI-C48-ID mm
Example:
TGI-C48-40

UH Series Gimbal Assembly



Corrugated Tube Size:
• 70 mm, 56 mm

UH Gimbal Assembly
UHG-C (tube size)- ID mm
Example:
UHG-C70-50
(Includes 50mm diameter grommet)

Gimbal Receiver
UHG-C70-REC

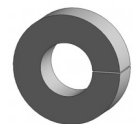


Gimbal Ball (Trumpet)
UHG-C70-BALL



Gimbal Grommet only
xx = diameter in mm

Example:
UGI-C70-50



Notice: The information contained herein is, to the best of our knowledge, true, accurate and reliable. Since procedures and conditions under which these products may be used are beyond our control, no warranty, expressed or implied, is made to their performance.



DQS Inc.
Syndevco Inc.
Registered to ISO 9001:2015
10002227 QM15

Syndevco Inc.

Sheet: 230818

24205 Telegraph Rd - Southfield MI 48033

Toll Free: (800) 356-2839 Local: (248) 356-2839 Fax: (248) 356-0928

visit us at: www.syndevco.com



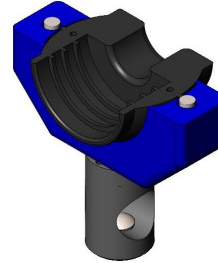
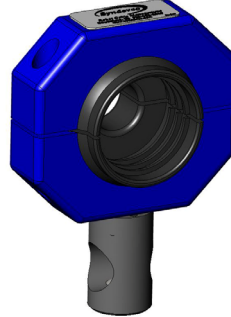
Gimbal Assembly

Gimbal Assembly Configurations

SH Series Gimbal

SHG-C36-30-B0P shown

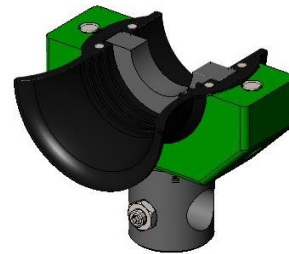
1pc SHG-B0P
1pc SHG-C36-30



TH Series Gimbal

THG-C36-30-B0P shown

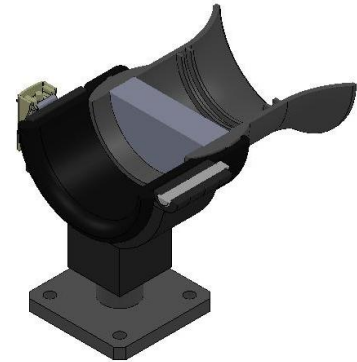
1pc THG-B0P
1pc THG-C48-40



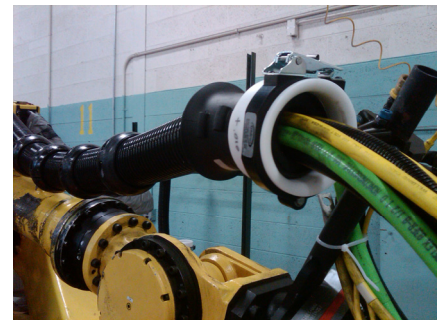
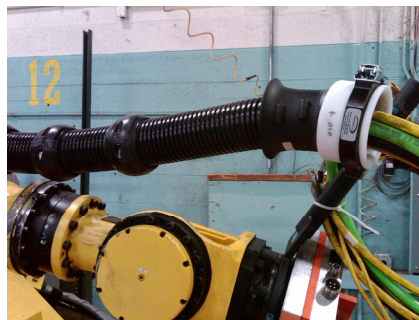
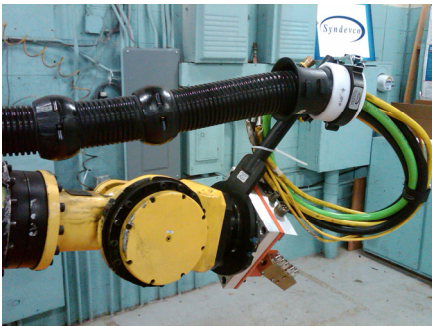
UH Series Gimbal

UHG-C70-50 shown

with 1pc
UHC-AF-SB-F0-057
Clamp Assembly
(2" wide clamp)
Clamp sold separately



UH Series Gimbal Examples



Notice: The information contained herein is, to the best of our knowledge, true, accurate and reliable. Since procedures and conditions under which these products may be used are beyond our control, no warranty, expressed or implied, is made to their performance.



Syndevco Inc.

24205 Telegraph Rd - Southfield MI 48033

Toll Free: (800) 356-2839 Local: (248) 356-2839 Fax: (248) 356-0928

visit us at: www.syndevco.com



9950 Series Clamping System

(248) 356-2839

Non conductive, light weight clamping for air hoses, water hoses and electric cables.

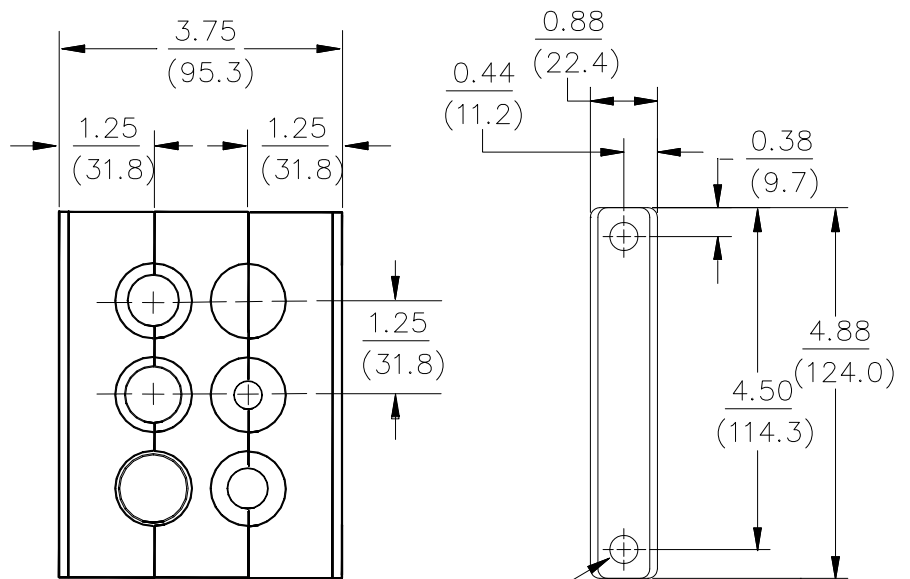
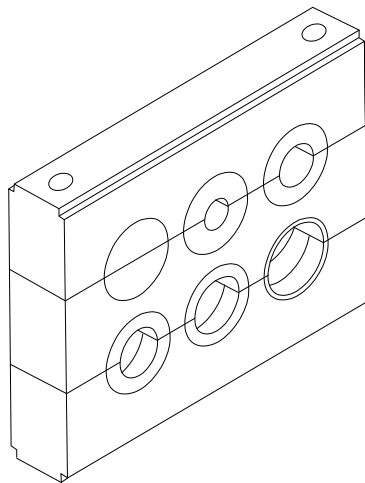
Features

- "Split" type design
- Molded of 94VO flame retardant rated material
- Non conductive
- Light weight
- Inserts made of flexible Estane
- Keyed inserts securely lock to the body
- Hole diameter range 1/8" - 1"
- Customized openings readily available
- Maximum customized opening of 1 1/2"
- Stackable for more flexibility
- Single part number for complete assemblies available
- Value Added service available



Dimensions

UNIT OF MEASUREMENT $\frac{\text{in}}{\text{(mm)}}$



FOR 5/16 OR 8mm BOLTS

Notice: The information contained herein is, to the best of our knowledge, true, accurate and reliable. Since procedures and conditions under which these products may be used are beyond our control, no warranty, expressed or implied, is made to their performance.



Syndevco Inc.

Sheet: 230818

24205 Telegraph Rd - Southfield MI 48033

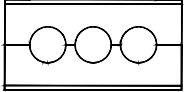
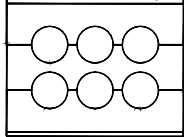
Toll Free: (800) 356-2839 Local: (248) 356-2839 Fax: (248) 356-0928

visit us at: www.syndevco.com



9950 Series Clamping System

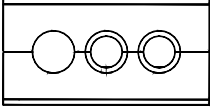
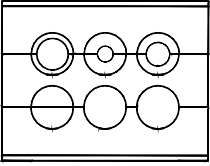
Part Numbering

BASE COMPONENTS	
Part Number	Description
9953 [†]	
9956 [†]	

HOLE INSERTS	
Part Number	Hole size (in)
9950-IS-000	PLUG
9950-IS-125	1/8
9950-IS-250	1/4
9950-IS-375	3/8
9950-IS-500	1/2
9950-IS-625	5/8
9950-IS-750	3/4
9950-IS-875	7/8

[†] These assemblies w/o inserts have 1 inch diameter holes

Order Samples

CLAMP REQUIRED	REPRESENTATION	ORDERED COMPONENTS
Need: 1 - 1 inch hole 2 - 3/4 inch holes		1 pc. - 9953 2 pcs. - 9950-IS-750 *
Need: 1 - 7/8 inch hole 1 - 1/4 inch hole 1 - 1/2 inch hole 1 - plug 2 - 1 inch holes		1 pc. - 9956 1 pc. - 9950-IS-875 1 pc. - 9950-IS-250 1 pc. - 9950-IS-500 1 pc. - 9950-IS-000 *

* Complete assembly part numbers are available, please call a Syndevco Representative

Notice: The information contained herein is, to the best of our knowledge, true, accurate and reliable. Since procedures and conditions under which these products may be used are beyond our control, no warranty, expressed or implied, is made to their performance.



Syndevco Inc.

24205 Telegraph Rd - Southfield MI 48033

Toll Free: (800) 356-2839 Local: (248) 356-2839 Fax: (248) 356-0928

visit us at: www.syndevco.com



BRACKETS & CABLE MANAGEMENT

Brackets

Post Brackets

- RD Brackets
- SA & SD Brackets



Cylinder Brackets

- RD Brackets
- SA Brackets

Transition Brackets

- RD Brackets
- SA Brackets



Robot Face Plate Spacer- EOAT

Cable Management

Velcro Buckle Straps



Corrugated Tube & Wear Bands

- 11 sizes of corrugated tube
- 8 sizes of wear bands



Wear Sleeves

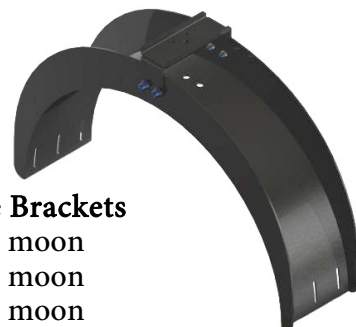
Stand Assemblies SE series

- Regular duty
- Heavy duty



Saddle Brackets

- 1/4 moon
- 1/3 moon
- 1/2 moon



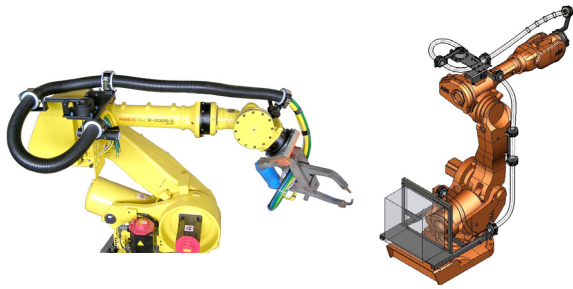
24205 Telegraph Rd. Southfield, MI 48033

Toll Free: 800-356-2839 Local: 248-356-2839 Fax: 248-356-0928

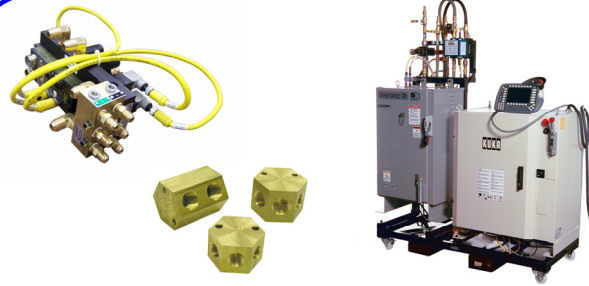
visit us at: www.syndevco.com



Robot Dressings/ Cable Management & Power Distribution



Engineered Solutions & Services



Support Assemblies & Manifolds



Clamps & Inserts



Cables & Grips



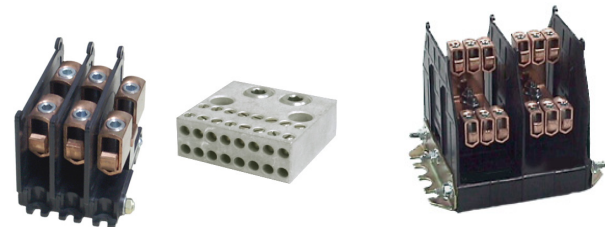
Brackets & Cable Management



Enclosure Assemblies

- Stability– over 50 years in business
- Experienced representation
- Timely response to customer requests/ requirements
- Deliveries– many stocked components to 15 day lead times
- Focused efforts– manufacturing

Syndevco



Terminal Blocks

24205 Telegraph Rd. Southfield, MI 48033
Toll Free: 800-356-2839 Local: 248-356-2839 Fax: 248-356-0928
visit us at: www.syndevco.com



Robot Dress Brackets

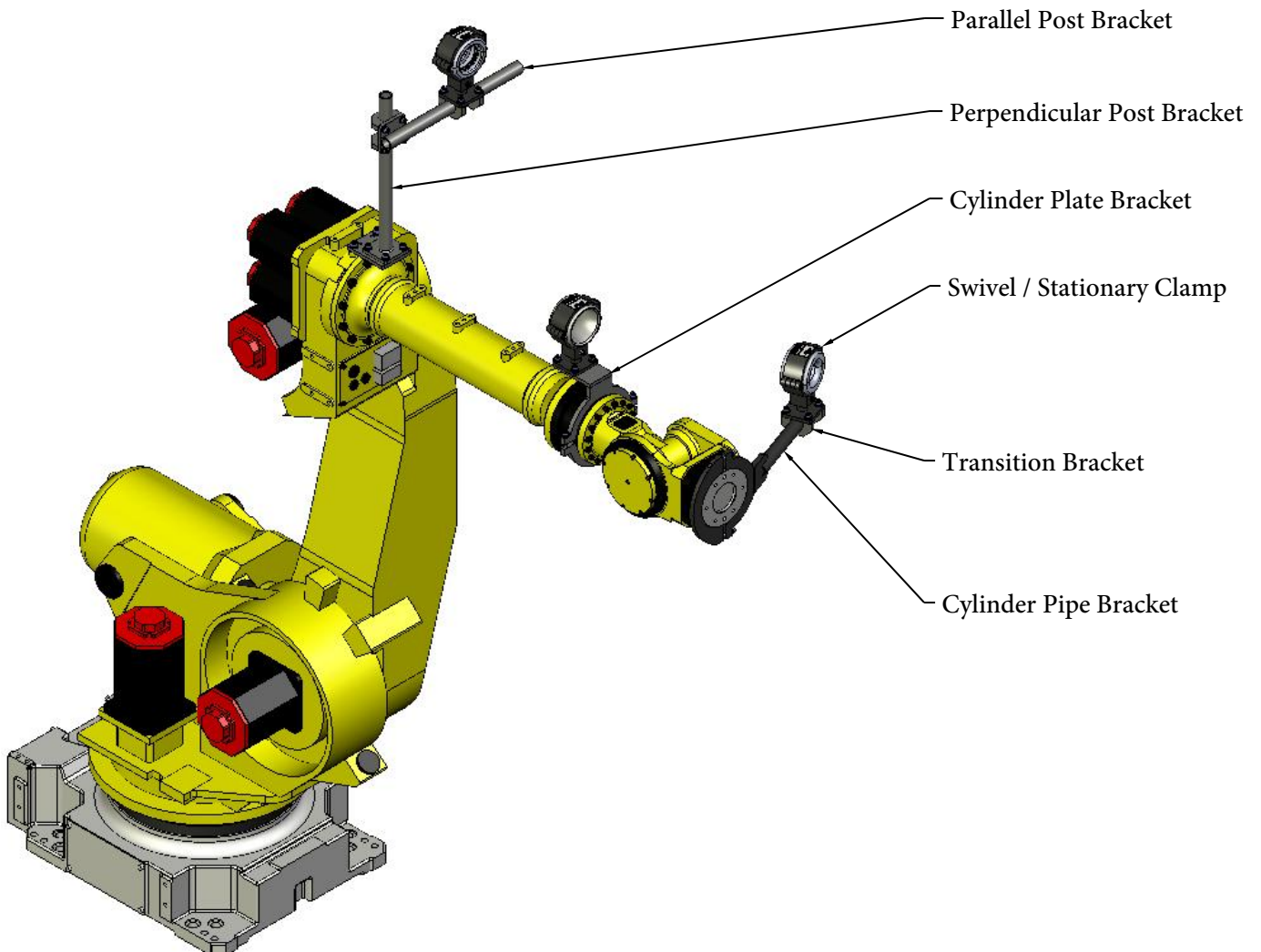
(248) 356-2839

Rigid, light weight brackets used with utility clamps to route utilities to the EOAT (End Of Arm Tooling)

Features

- Allows flexibility to rearrange utility routings to match application
- Decrease downtime
- Easy to use and reposition
- Secure non-slip mount of cylinder brackets
- Use with **SH**, **TH**, **UH** and **LH** series utility clamps
- Robot Dress Assistance readily available
- 'Value added' services available

Usage Example (SA & SD Brackets with UH clamps and Inserts shown below)



Notice: The information contained herein is, to the best of our knowledge, true, accurate and reliable. Since procedures and conditions under which these products may be used are beyond our control, no warranty, expressed or implied, is made to their performance.



Syndevco Inc. Sheet: 230818
 24205 Telegraph Rd - Southfield MI 48033
 Toll Free: (800) 356-2839 Local: (248) 356-2839 Fax: (248) 356-0928
 visit us at: www.syndevco.com



Robot Dress Brackets

Post Brackets



Perpendicular

RDA-R1-F0-250

SAA-R1-F0-460



Parallel

RDA-R1-F1-250

SAA-R1-F1-460

Mounting Hole Pattern

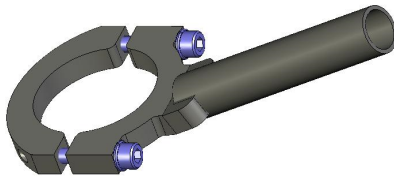
RD Series

7mm thru
31.8 mm
square c-c

SA Series

11mm thru
60 mm
square c-c

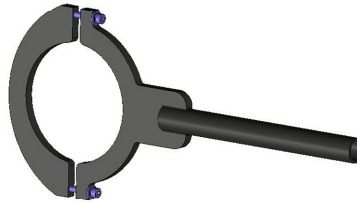
Cylinder - Pipe Bracket



Angled (20 degree)

RDD-R3-(diameter)-250

SDR3-(diameter)-460



Straight

RDD-R1-(diameter)-250

SDR1-(diameter)-460

Thickness

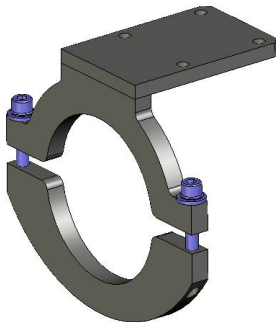
RD Series

3/8 in
9.5 mm

SD Series

1/2 in
12.7 mm

Cylinder - Plate Bracket



RDD-F1- (diameter) - (Syndevco assigned)

SDF1- (diameter) - (Syndevco assigned)

Thickness

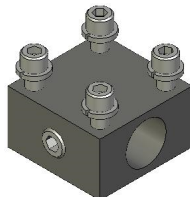
RD Series

3/8 in
9.5 mm

SD Series

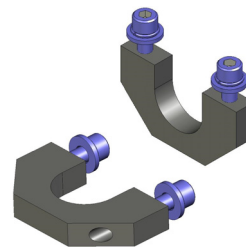
1/2 in
12.7 mm

Transition Brackets



RD Series

RDB-A-C



Medium/ Large
SAB-A-C

Typically 2 pcs required per application

Notice: The information contained herein is, to the best of our knowledge, true, accurate and reliable. Since procedures and conditions under which these products may be used are beyond our control, no warranty, expressed or implied, is made to their performance.



DQS Inc.
Syndevco Inc.
Registered to ISO 9001:2015
10002227-QM15

Syndevco Inc.

24205 Telegraph Rd - Southfield MI 48033

Toll Free: (800) 356-2839 Local: (248) 356-2839 Fax: (248) 356-0928

visit us at: www.syndevco.com



Robot Face Plate Spacers

(248) 356-2839

Spacers used when robot face plates are not thick enough to use an Axis 6 (SD or RDD) bracket

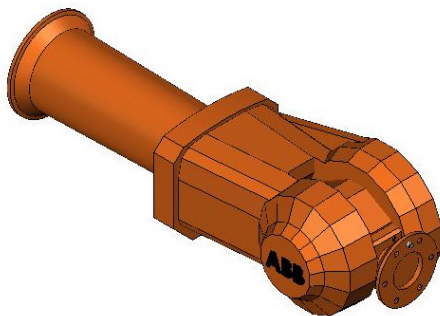
Features

- Spaces tool from robot face plate to allow mounting of secondary brackets
- Steel or Aluminum construction
- Two locating points– boss and dowel or two dowels
- Use to mount SD or RDD series Brackets where needed
- Robot Dress assistance readily available
- ‘Value added’ services available



Usage Examples

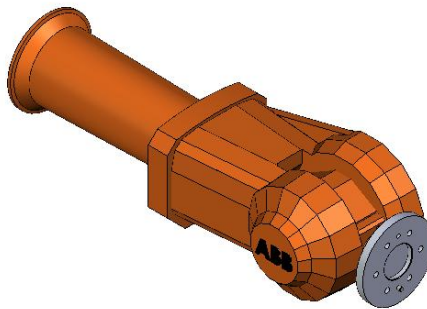
Before



Robot Wrist

- Not enough room to mount an Axis 6 bracket for dressout purposes

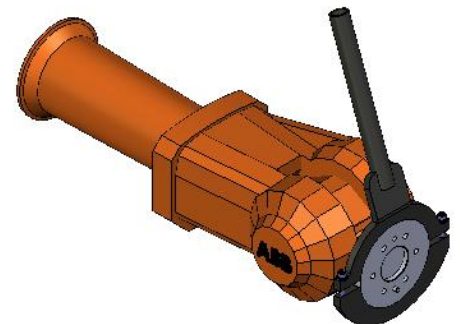
After



Robot Wrist w/ Spacer

- Spacer is placed between tool and robot face plate (tool not shown)

In-use



Robot Wrist w/ Spacer and Axis 6 Bracket

- Spacer allows the Axis 6 bracket to be mounted – assisting in a successful dressout

Notice: The information contained herein is, to the best of our knowledge, true, accurate and reliable. Since procedures and conditions under which these products may be used are beyond our control, no warranty, expressed or implied, is made to their performance.



Syndevco Inc.
Registered to ISO 9001:2015
10002227 QM15

Syndevco Inc.

Sheet: 230818

24205 Telegraph Rd - Southfield MI 48033

Toll Free: (800) 356-2839 Local: (248) 356-2839 Fax: (248) 356-0928

visit us at: www.syndevco.com

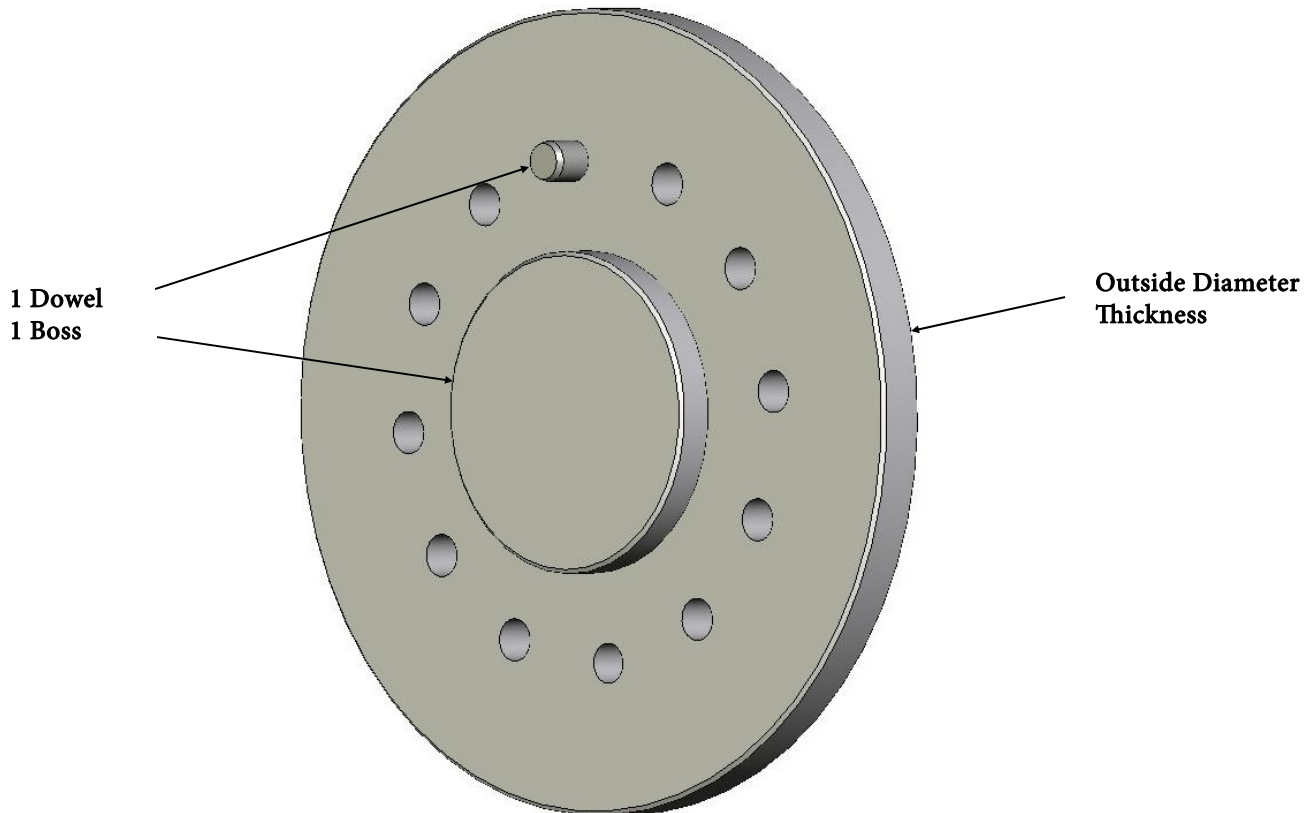


Robot Face Plate Spacers

Part Numbering

	Step 1 Define Robot Manufacturer and Model	Step 2 Choose material and finish	Step 3 Choosing Locating Style	Step 4 Define Outside Diameter	Step 5 Define Thickness (after mounting) (in mm)	
FPS-	UUU	V	W	XXX	YYY	Z
	Robot	Material and Finish	Locating Style	Outside Diameter (in mm)	Thickness (in mm)	Additional Options
	See a Syndevco Representative for the 3 digit designation	S Steel no finish	A 1 boss 1 dowel	Example		Example
		T Steel Oxide - Black	B 2 dowel	160	160 mm	010 10 mm use with RDD
		A Aluminum no finish		200	200 mm	013 13 mm use with SD
		B Aluminum Anodized-Black				
						See a Syndevco Representative for further options

SAMPLE PART NUMBER: FPS-F1EA-A200/013



Notice: The information contained herein is, to the best of our knowledge, true, accurate and reliable. Since procedures and conditions under which these products may be used are beyond our control, no warranty, expressed or implied, is made to their performance.



Syndevco Inc.

24205 Telegraph Rd - Southfield MI 48033

Toll Free: (800) 356-2839 Local: (248) 356-2839 Fax: (248) 356-0928

visit us at: www.syndevco.com



SE Series Stand Assemblies

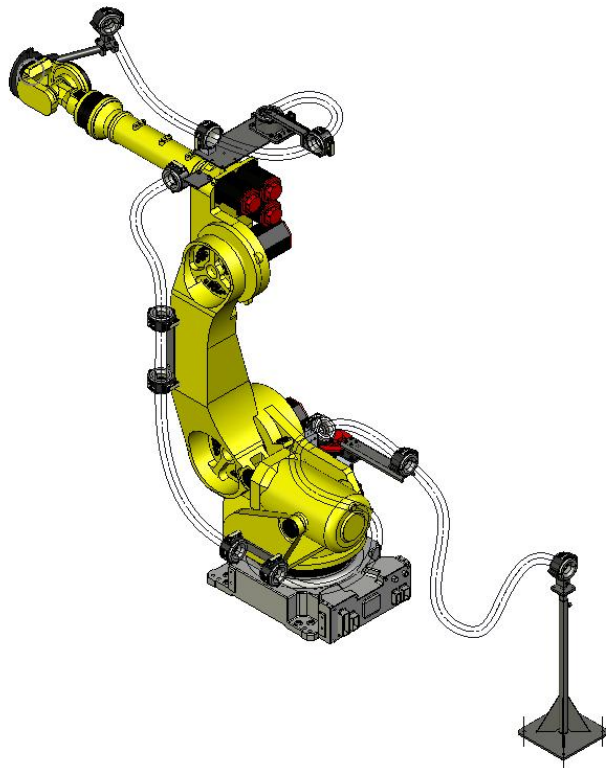
(248) 356-2839

Route utilities from the plant floor to a robot using different clamp methods and adjustable heights

Features

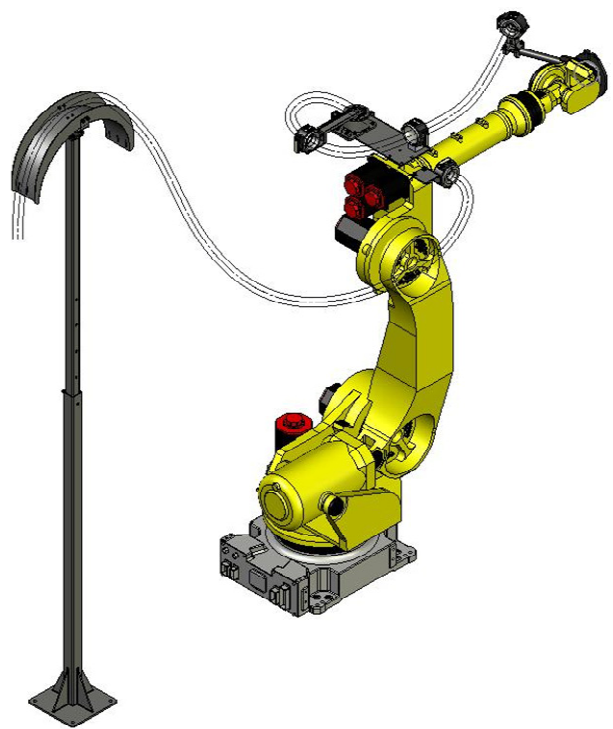
- Height range 2 to 12 feet
- **Regular duty**– round tubing structure, recommended when height requirements are 5 ft or less and/or have minimal horizontal stress
- **Heavy duty**– square tubing structure, recommended when heights exceed 5 ft and/ or are likely to have considerable horizontal stress
- Order alone or with clamps/ other brackets
 - **SH** Series clamps
 - **TH** Series clamps
 - **UH** Series clamps
 - **LH** Series clamps
 - **SM** Saddle Brackets
 - Custom assemblies
- Robot Dress assistance readily available
- ‘Value added’ services available

Usage Examples



Regular Duty SE Assembly

- 5ft Height or less
- Mount **SH, TH, UH, LH** clamps
- Mount Saddle Brackets



Heavy Duty SE Assembly

- Application of 5 ft or greater
 - robot on riser
 - top feed application
- Mount **SH, TH, UH, LH** clamps
- Mount Saddle Brackets

Notice: The information contained herein is, to the best of our knowledge, true, accurate and reliable. Since procedures and conditions under which these products may be used are beyond our control, no warranty, expressed or implied, is made to their performance.



DQS Inc.
Syndevco Inc.
Registered to ISO 9001:2015
1000227 QM15

Syndevco Inc.

Sheet: 230818

24205 Telegraph Rd - Southfield MI 48033

Toll Free: (800) 356-2839 Local: (248) 356-2839 Fax: (248) 356-0928

visit us at: www.syndevco.com



SE Series Stand Assemblies



Stand Assemblies



Notice: The information contained herein is, to the best of our knowledge, true, accurate and reliable. Since procedures and conditions under which these products may be used are beyond our control, no warranty, expressed or implied, is made to their performance.



Syndevco Inc.

Sheet: 230818

24205 Telegraph Rd - Southfield MI 48033

Toll Free: (800) 356-2839 Local: (248) 356-2839 Fax: (248) 356-0928

visit us at: www.syndevco.com



SM Series Saddle Assembly

(248) 356-2839

*Protect utilities from sharp bends.
Eliminate broken wires or kinked hoses*

Features

- 1/4 saddle for end routings
- 1/3 saddle for good compact protection
- 1/2 saddle for complete protection
- Radii from 3 to 16 inches
- Widths from 2 to 12 inches
- Mounting on top, bottom or along radius
- Eye bolt mounting available
- Swivel/ Stationary mounting available
- Stationary mounting available
- Steel or Aluminum construction
- Strap slots at ends to hold utilities
- Use with SAA or SE series brackets
- Robot Dress assistance readily available
- 'Value added' services available

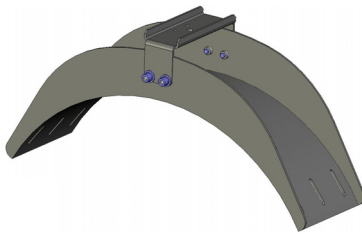
SM4- 1/4 Saddle



<u>Step 1</u> Choose Material	<u>Step 2</u> Choose Radius (inches)	<u>Step 3</u> Choose Width (inches)	<u>Step 4</u> Choose Mounting Location	<u>Step 5</u> Choose Mounting Style
<ul style="list-style-type: none"> • Aluminum • Steel 	<ul style="list-style-type: none"> • 3-16 inches 	<ul style="list-style-type: none"> • 2-12 inches 	<ul style="list-style-type: none"> • along radius 	<ul style="list-style-type: none"> • Swivel/ Stationary • SAA pattern

See reverse side for more information

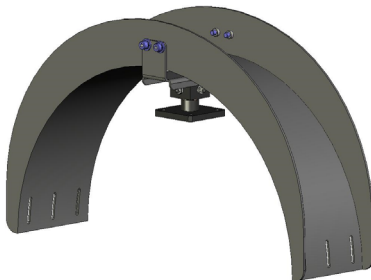
SM3- 1/3 Saddle



<u>Step 1</u> Choose Material	<u>Step 2</u> Choose Radius (inches)	<u>Step 3</u> Choose Width (inches)	<u>Step 4</u> Choose Mounting Location	<u>Step 5</u> Choose Mounting Style
<ul style="list-style-type: none"> • Aluminum • Steel 	<ul style="list-style-type: none"> • 3-16 inches 	<ul style="list-style-type: none"> • 2-12 inches 	<ul style="list-style-type: none"> • Top • Bottom can be switched in field 	<ul style="list-style-type: none"> • Eye bolt • Swivel/ Stationary • SAA pattern

See reverse side for more information

SM2- 1/2 Saddle



<u>Step 1</u> Choose Material	<u>Step 2</u> Choose Radius (inches)	<u>Step 3</u> Choose Width (inches)	<u>Step 4</u> Choose Mounting Location	<u>Step 5</u> Choose Mounting Style
<ul style="list-style-type: none"> • Aluminum • Steel 	<ul style="list-style-type: none"> • 3-16 inches 	<ul style="list-style-type: none"> • 2-12 inches 	<ul style="list-style-type: none"> • Top • Bottom can be switched in field 	<ul style="list-style-type: none"> • Eye bolt • Swivel/ Stationary • SAA pattern

See reverse side for more information

Notice: The information contained herein is, to the best of our knowledge, true, accurate and reliable. Since procedures and conditions under which these products may be used are beyond our control, no warranty, expressed or implied, is made to their performance.



Syndevco Inc.

Sheet: 230818

24205 Telegraph Rd - Southfield MI 48033

Toll Free: (800) 356-2839 Local: (248) 356-2839 Fax: (248) 356-0928

visit us at: www.syndevco.com

DQS Inc.
Syndevco Inc.
Registered to ISO 9001:2015
10002227 QM15

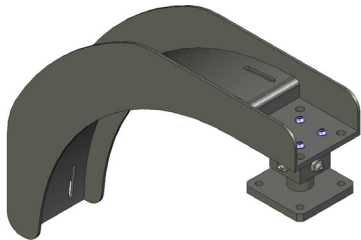


SM Series Saddle Assembly

Mounting Options

Along Radius

Swivel/ Stationary



SAA Hole Pattern

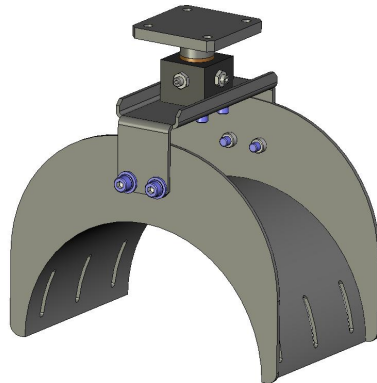


Top Mount

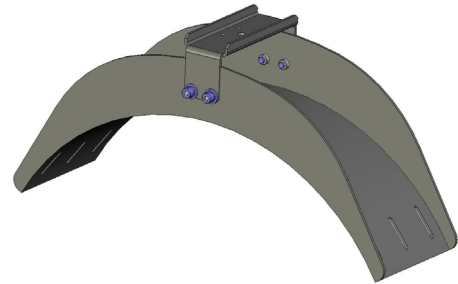
Eye Bolt



Swivel/ Stationary

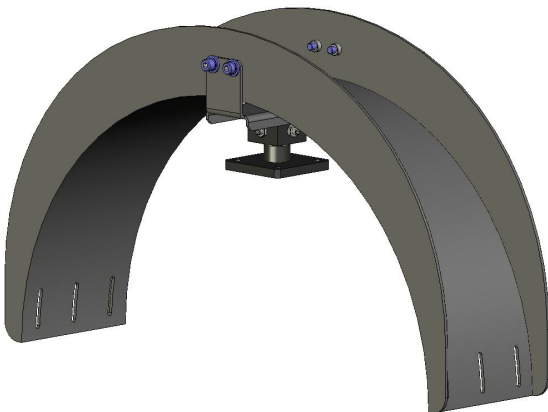


UHC Hole Pattern

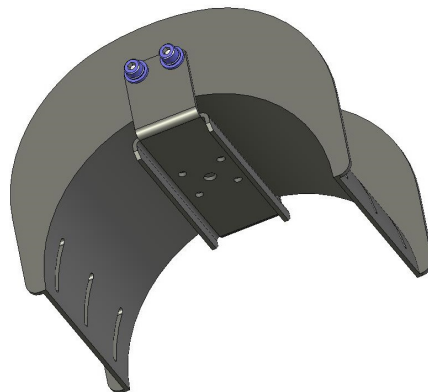


Bottom Mount

Swivel/ Stationary



UHC Hole Pattern



Notice: The information contained herein is, to the best of our knowledge, true, accurate and reliable. Since procedures and conditions under which these products may be used are beyond our control, no warranty, expressed or implied, is made to their performance.



Syndevco Inc.

24205 Telegraph Rd - Southfield MI 48033

Toll Free: (800) 356-2839 Local: (248) 356-2839 Fax: (248) 356-0928

visit us at: www.syndevco.com



Corrugated Tube/ WB Wear Bands

(248) 356-2839

*Protect and control utilities
for long service life.*

Features

- Cut Resistant
- Tear Resistant
- Abrasion Resistant
- Flame Resistant
- Flexible
- Sizes available to match most applications
- Designed for robotic applications
- Wear Bands readily available for localized abrasion resistance
- Use with **SH**, **TH**, **UH** and **LH** series clamps and inserts
- 'Value added' services available



Part Numbers Shown

Corrugated Tube: R70R
Wear Band: WB-CC70

Part Numbering / Dimensions/ Usage

Corrugated Tube			Wear Band Part Number	Best Clamp Usage (if clamp used)			
Part Number	OD inches (mm)	ID inches (mm)		LH	UH/UN	TH	SH
R07T	0.39 (10.0)	0.24 (6.2)	Not yet available	C	C	C	R
R10T	0.51 (13.0)	0.38 (9.6)	Not yet available	C	C	C	R
R12T	0.62 (15.8)	0.47 (11.9)	Not yet available	C	C	C	R
R17C	0.83 (21.1)	0.60 (15.2)	WB-BC17	C	C	C	R
R23C	1.12 (28.4)	0.85 (21.7)	WB-BC23	C	C	C	R
R29C	1.35 (34.3)	1.08 (27.4)	WB-BC29	C	C	C	R
R36C	1.67 (42.3)	1.41 (35.8)	WB-BC36	C	C	C	R
R48C	2.13 (54.2)	1.84 (46.7)	WB-BC48	C	C	R	
R56C	2.65 (67.2)	2.22 (56.3)	WB-BC56	C	R		
R70R	3.13 (79.6)	2.65 (67.2)	WB-CC70	C	R		
R95C	4.17 (106)	3.59 (91.3)	WB-AC95	R			

* Ordered per foot or with lengths (in feet) (Example: R70R-07)

R- Recommended C- Capable

Notice: The information contained herein is, to the best of our knowledge, true, accurate and reliable. Since procedures and conditions under which these products may be used are beyond our control, no warranty, expressed or implied, is made to their performance.



Syndevco Inc.

Sheet: 230818

24205 Telegraph Rd - Southfield MI 48034

Toll Free: (800) 356-2839 Local: (248) 356-2839 Fax: (248) 356-0928

visit us at: www.syndevco.com



Split Corrugated Tube/ WB Wear Bands

(248) 356-2839

Provides both protection of and access to control utilities for entire service life.

Features

- Allows Access to Utilities
- Cut Resistant
- Tear Resistant
- Abrasion Resistant
- Flame Resistant
- Flexible
- Sizes available to match most applications
- Use with **SH**, **TH**, **UH** and **LH** clamps and inserts
- 'Value added' services available



Part Number Shown:

Corrugated Tube: R70S

Part Numbering / Dimensions / Usage

Corrugated Tube			Wear Band Part Number	Best Clamp Usage (if clamp used)			
Part Number	OD inches (mm)	ID inches (mm)		LH	UH/UN	TH	SH
R07S	0.39 (10.1)	0.24 (6.5)	Not yet available	C	C	C	R
R10S	0.51 (13.5)	0.38 (8.8)	Not yet available	C	C	C	R
R12S	0.62 (16.3)	0.47 (11.3)	Not yet available	C	C	C	R
R14S	0.62 (18.7)	0.47 (13.2)	Not yet available	C	C	C	R
R17S	0.83 (21.8)	0.60 (16.5)	WB-BC17	C	C	C	R
R20S	0.83 (25.7)	0.60 (20.2)	WB-BC20	C	C	C	R
R23S	1.12 (31.3)	0.85 (23.9)	WB-BC23	C	C	C	R
R29S	1.35 (35.9)	1.08 (27.8)	WB-BC29	C	C	C	R
R37S	1.67 (41.9)	1.41 (32.5)	WB-BC36	C	C	C	R
R45S	2.13 (54.2)	1.84 (43.0)	WB-BC48	C	C	R	
R70S	3.13 (79.8)	2.65 (66.5)	WB-CC70	C	R		

* Ordered per foot or with lengths (in feet) (Example: R70S-07)

R- Recommended C- Capable

Notice: The information contained herein is, to the best of our knowledge, true, accurate and reliable. Since procedures and conditions under which these products may be used are beyond our control, no warranty, expressed or implied, is made to their performance.



Syndevco Inc.

Sheet: 230818

24205 Telegraph Rd - Southfield MI 48034

Toll Free: (800) 356-2839 Local: (248) 356-2839 Fax: (248) 356-0928

visit us at: www.syndevco.com



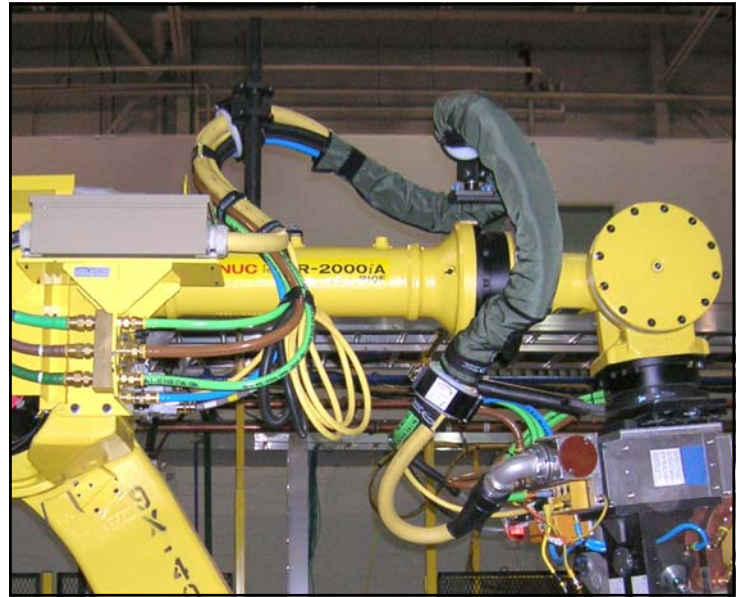
WS Series Wear Sleeves

(248) 356-2839

Protect utilities for long wear and low downtime. Cut, tear, and abrasion resistant removable wear sleeves.

Features

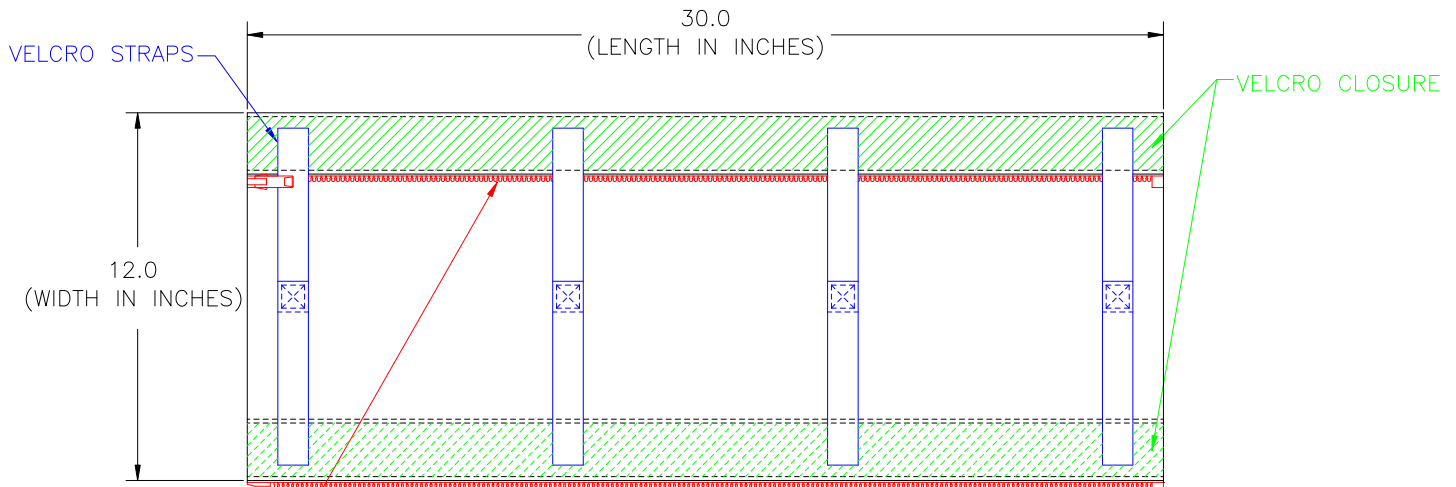
- Cut Resistant
- Tear Resistant
- Abrasion Resistant
- Velcro straps (standard) inside to assist in positioning
- Zipper (standard) outside to hold the sleeve closed during use
- Velcro flap to protect zipper during use
- Standard sleeve protects up to a 3 inch (76mm) diameter bundle
- Customizing readily available
- Robot Dress assistance readily available
- 'Value added' services available



Usages and Dimensions

Uses Include:

- Robot Dress utility protection
- Robot Dress utility containment
- Maintenance hose/ cable protection
- Weld flash guard
- Adds a clean appearance to bundles



PART NUMBER SHOWN - **WS-BVB-12030**

NOTE: INSIDE OF SLEEVE SHOWN

Notice: The information contained herein is, to the best of our knowledge, true, accurate and reliable. Since procedures and conditions under which these products may be used are beyond our control, no warranty, expressed or implied, is made to their performance.



Syndevco Inc.

Sheet: 230818

24205 Telegraph Rd - Southfield MI 48033

Toll Free: (800) 356-2839 Local: (248) 356-2839 Fax: (248) 356-0928

visit us at: www.syndevco.com



WS Series Wear Sleeves

Part Numbering

GENERIC PART NUMBER: WS-UWV-XXYYY-Z

SAMPLE PART NUMBER: WS-BVB-12030

WS-	U		V		W		XX	
	Material		Internal Straps		Closure		Width (inches)	
B	Denier Black (standard)		V	Velcro - no buckle (standard)	B	Velcro and Zipper (standard)	12	12 inches (standard)
K	Kevlar		0	No Straps	Z	Zipper Only	See a Syndevco representative for additional options	
					V	Velcro Only		

Please see our other products for further design solutions



Corrugated Tube & Wear Bands



Cylinder Brackets



Velcro Straps



Clamps & Inserts



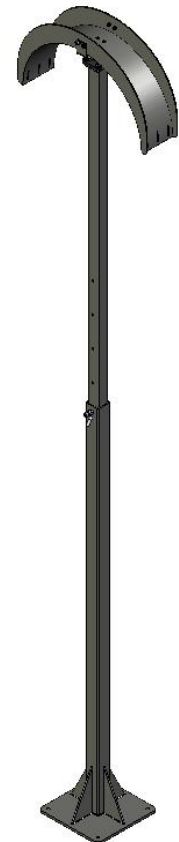
Post Brackets



Transition Brackets



Stand Assemblies



Notice: The information contained herein is, to the best of our knowledge, true, accurate and reliable. Since procedures and conditions under which these products may be used are beyond our control, no warranty, expressed or implied, is made to their performance.



Syndevco Inc.

24205 Telegraph Rd - Southfield MI 48033

Toll Free: (800) 356-2839 Local: (248) 356-2839 Fax: (248) 356-0928

visit us at: www.syndevco.com



Velcro Buckle Straps

(248) 356-2839

Industrial grade buckled velcro straps securely hold bundles together, buckles allow for a tight cinch

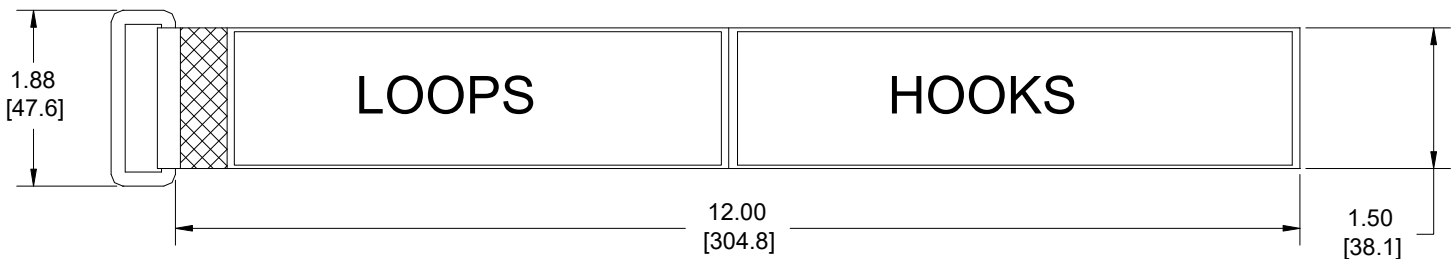
Features

- Economical way to keep hoses and cords together
- Use on robot dressouts/cable management
- Use on utility applications
- Large size securely holds bundle 1-3 inch in diameter (after cinching)
- Small size securely holds bundle 1/4 -1 1/2 inch in diameter (after cinching)
- Use two large straps to increase capacity
- Reusable
- Durable nylon velcro material
- Flame retardant (Large strap only)

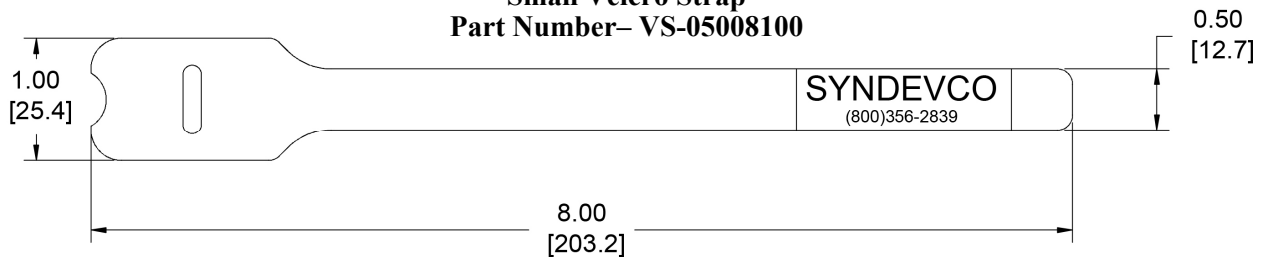


Part Numbers / Dimensions

Large Buckle Strap
Part Number- VS-15012050



Small Velcro Strap
Part Number- VS-05008100



Units of measure: inches [mm]

Notice: The information contained herein is, to the best of our knowledge, true, accurate and reliable. Since procedures and conditions under which these products may be used are beyond our control, no warranty, expressed or implied, is made to their performance.



DQS Inc.
Syndevco Inc.
Registered to ISO 9001:2015
10002227 QM15

Syndevco Inc.

Sheet: 230818

24205 Telegraph Rd - Southfield MI 48033

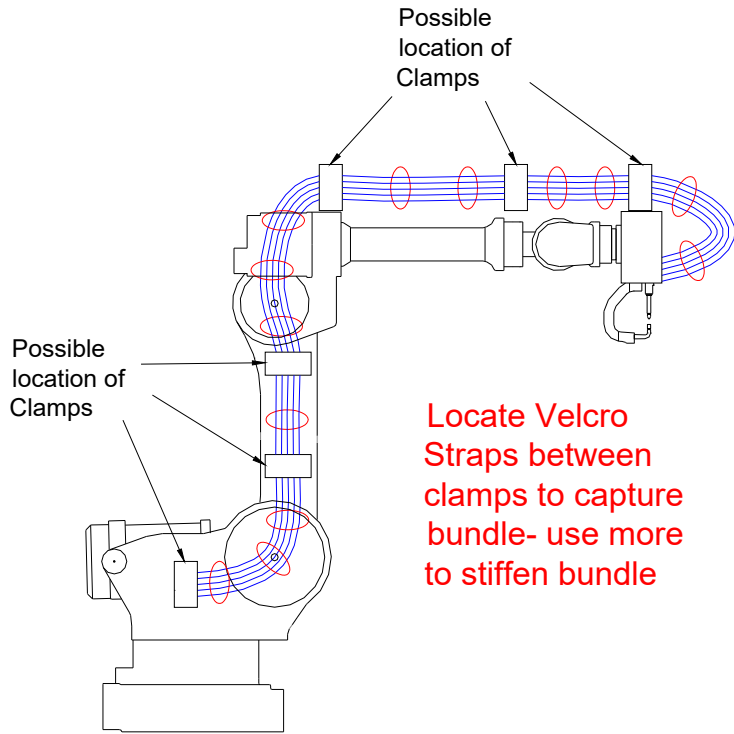
Toll Free: (800) 356-2839 Local: (248) 356-2839 Fax: (248) 356-0928

visit us at: www.syndevco.com



Velcro Buckle Straps

Usage Locations (not limited to robot uses)



Locate Velcro Straps between clamps to capture bundle- use more to stiffen bundle



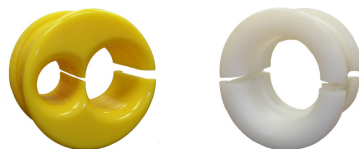
Please see our other products for further design solutions



Corrugated Tube & Wear Bands



Clamps & Inserts



Wear Sleeves

Notice: The information contained herein is, to the best of our knowledge, true, accurate and reliable. Since procedures and conditions under which these products may be used are beyond our control, no warranty, expressed or implied, is made to their performance.



Syndevco Inc.

24205 Telegraph Rd - Southfield MI 48033
 Toll Free: (800) 356-2839 Local: (248) 356-2839 Fax: (248) 356-0928
 visit us at: www.syndevco.com



CABLES & GRIPS

CONTROL CABLES



Servo Cables



Rectangular Connectors



Circular Connectors

POWER CABLES



Transgun Cable and Receptacles

- RF series
- C2 series

Power Plug

- 8000 SERIES



Tap Switch

- 2446 SERIES



CABLE GRIPS

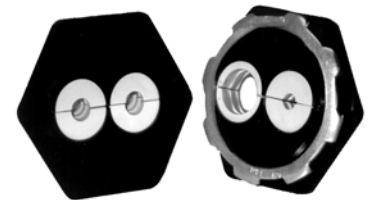


Cage Bushings

- Flat/ Oval
- Round

StrainAid- Urethane

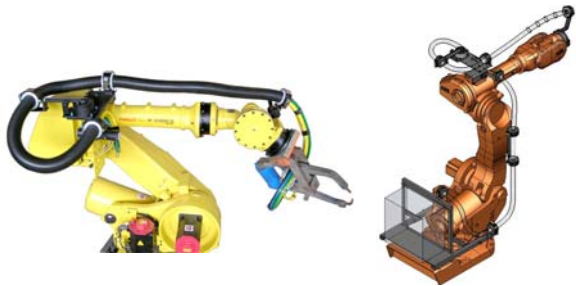
- Straight
- 90 degree



Split Bushings



Robot Dressings/ Cable Management & Power Distribution



Engineered Solutions & Services



Support Assemblies & Manifolds



Clamps & Inserts



Cables & Grips



Brackets & Cable Management



Enclosure Assemblies

- Stability— over 50 years in business
- Experienced representation
- Timely response to customer requests/ requirements
- Deliveries— many stocked components to 15 day lead times
- Focused efforts— manufacturing

Syndevco



Terminal Blocks

24205 Telegraph Rd. Southfield, MI 48033
Toll Free: 800-356-2839 Local: 248-356-2839 Fax: 248-356-0928
visit us at: www.syndevco.com



Control Cable Assemblies

(248) 356-2839

Alone or within a robotic cable management system

APPLICATIONS– Typical

- Servo / Encoder
- Motor/ Power
- Discrete Communication
- Serial Communication
 - DeviceNet
 - Profibus
 - Ethernet
- Double Ended Cables
- Single Ended Cables
- Receptacles

COMPONENTS

CONNECTORS

- Highest quality connectors used

CABLE

- Proper cable for proper application (example: cable used in robot dress has appropriate jacket, torsion specification and flex specification)

PROTECTION

- Proper strain relief used per application
- Corrugated tube covering cable for added protection where required

CUSTOM SPECIFICATIONS WELCOME

CIRCULAR CONNECTORS



RECTANGULAR CONNECTORS



VALUE ADDED SERVICES

- Junction boxes
- Control Panels



QUALITY/ TESTING

When applicable:

- Continuity
- Short– Insulation Resistance
- HI-POT
- Procedures as specified

Notice: The information contained herein is, to the best of our knowledge, true, accurate and reliable. Since procedures and conditions under which these products may be used are beyond our control, no warranty, expressed or implied, is made to their performance.



DQS Inc.
Syndevco Inc.
Registered to ISO 9001:2015
10002227 QM15

Syndevco Inc.

Sheet: 230818

24205 Telegraph Rd - Southfield MI 48033

Toll Free: (800) 356-2839 Local: (248) 356-2839 Fax: (248) 356-0928

visit us at: www.syndevco.com



Intentionally
left
blank



RF Series Transgun Panel Mounts

(248) 356-2839

Industrial strength panel mounts enable quick connections to a transgun or power distribution box w/ finger tipped safety

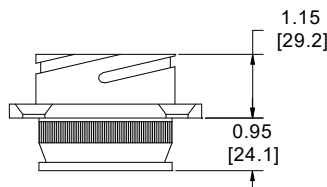
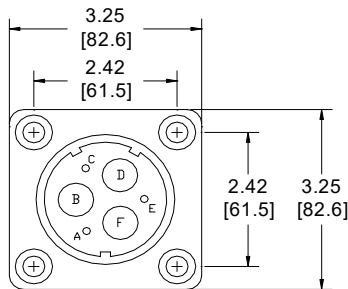
FEATURES

- 'Finger Tipped' insulated male contacts for maximum safety (male is the line end)
- 6 AWG—1/0 AWG conductor choices
- Auxiliary conductors available for control connections
- Industrial strength connectors with multi-key connection for connection strength and stability
- Secure 120 degree turn Rapid Change connection
- Audible, tactile, and visual indication of proper connection w/ RF series transgun cables
- Crimp connections used
- Choose receptacles from RF Series Transgun Cables
- Design and dressout assistance readily available
- 'Value Added' services available— power distribution assemblies, dense packs, complete dressouts

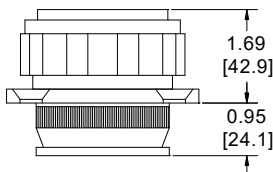
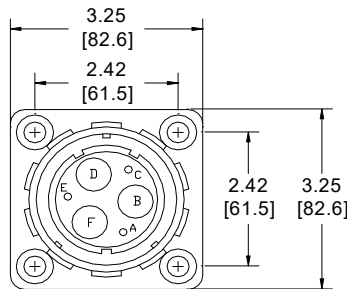


DIMENSIONS

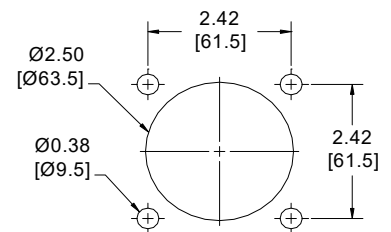
RFF40 Female Flanged Receptacle (Load)



RFM30 Male Flanged Plug (Line)



Mounting Hole Pattern



Units of Measure: inches [mm]

Notice: The information contained herein is, to the best of our knowledge, true, accurate and reliable. Since procedures and conditions under which these products may be used are beyond our control, no warranty, expressed or implied, is made to their performance.



Syndevco Inc.

Sheet: 230818

24205 Telegraph Rd - Southfield MI 48033

Toll Free: (800) 356-2839 Local: (248) 356-2839 Fax: (248) 356-0928

visit us at: www.syndevco.com



RF Series Transgun Panel Mounts

PART NUMBER SYSTEM

GENERIC PART NUMBER:

RFAAA-BB-CC-D

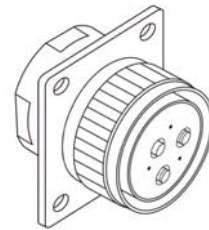
SAMPLE PART NUMBER:

RFM30- GJ-03

RFM30 Male Flanged Plug

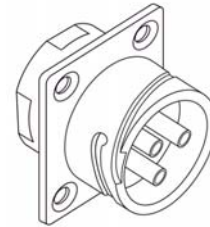
(Line Side)

(Plugs have an active coupler and mate with receptacles)



RFF40 Female Flanged Receptacle
(Load Side)

(Receptacles have a static coupler and mate with plugs)



RF	AAA		BB		CC	D
	CONNECTOR STYLE		CONDUCTOR CONFIGURATION		LENGTH (FEET)	ADDITIONAL OPTIONS
M30	Male Flanged Plug		GE	6 AWG 3c.	INSERT CABLE LENGTH IN FEET	LEAVE BLANK FOR NONE OR SEE A SYNDEVCO REP.
F40	Female Flanged Receptacle		GF	6 AWG 3c. + 3c (control)		
See a Syndevco Representative for further options		GG	4 AWG 3c.			
		GH	4 AWG 3c. + 3c (control)			
		GJ	2 AWG 3c.			
		GK	2 AWG 3c. + 3c (control)			
		See a Syndevco Representative for further options				

Please see our other products for further design solutions



**RF Series
Transgun Cables**



**Stamped Series
Compact Power Blocks**



**GTP Series
Power Distribution Boxes**

Notice: The information contained herein is, to the best of our knowledge, true, accurate and reliable. Since procedures and conditions under which these products may be used are beyond our control, no warranty, expressed or implied, is made to their performance.



DQS Inc.
Syndevco Inc.
Registered to ISO 9001:2015
1000227 QM15

Syndevco Inc.

24205 Telegraph Rd - Southfield MI 48033

Toll Free: (800) 356-2839 Local: (248) 356-2839 Fax: (248) 356-0928

visit us at: www.syndevco.com



RF Series Transgun Cables

(248) 356-2839

Industrial strength connectors, finger tipped for safety, and urethane strain relief for the longest service life

FEATURES

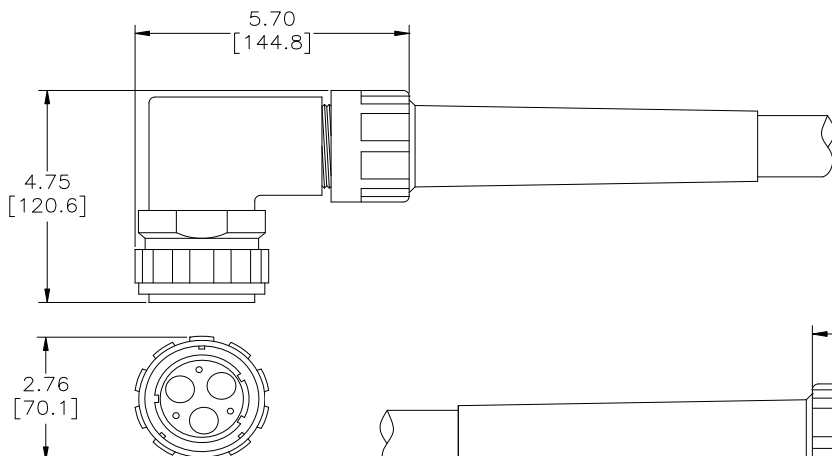
- ‘Finger Tipped’ insulated male contacts for maximum safety (male is the line end)
- Audible and visual indication of mating with panel mount
- 6 AWG—1/0 AWG conductor choices
- Auxiliary conductors available for control connections
- Urethane Strain Aid on the cable ends for long flexing life
- Straight and 90 degree connectors available
- Industrial strength connectors
- Multi-key connectors for connection strength and stability
- Secure 120 degree turn Rapid Change connection
- 36 shell connector size
- Crimp connections used
- Choose mating panel mounts from RF Series Transgun Panel Mounts
- Custom lengths for design efficiency
- Design and dressout assistance readily available
- ‘Value Added’ services available— power distribution assemblies, dense packs, complete dressouts



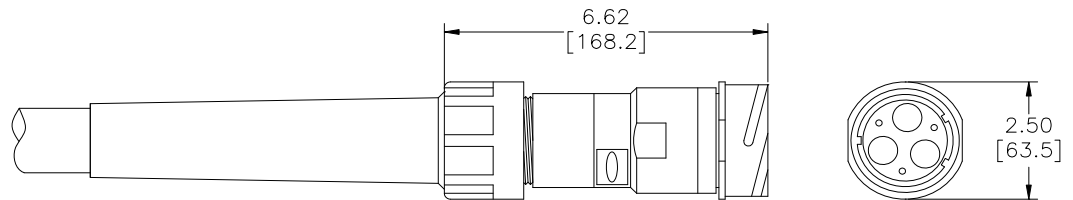
DIMENSIONS

90 degree Connector

Dimensions are reference only— for exact information please see a Syndevco Representative.



Straight Connector



Units of Measure: inches
[mm]

Notice: The information contained herein is, to the best of our knowledge, true, accurate and reliable. Since procedures and conditions under which these products may be used are beyond our control, no warranty, expressed or implied, is made to their performance.



DQS Inc.
Syndevco Inc.
Registered to ISO 9001:2015
10002227 QM15

Syndevco Inc.

Sheet: 230818

24205 Telegraph Rd - Southfield MI 48033

Toll Free: (800) 356-2839 Local: (248) 356-2839 Fax: (248) 356-0928

visit us at: www.syndevco.com



RF Series Transgun Cables

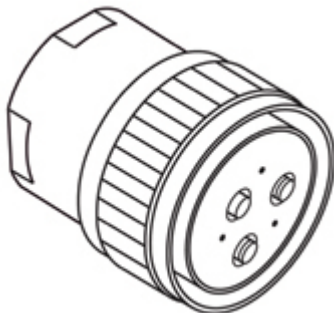
PART NUMBER SYSTEM

GENERIC PART NUMBER: RFAAB-CCDDE-FG-HH-J
SAMPLE PART NUMBER: RFM52-RFF22-AJ-10
NOTE: ON DUAL ENDED CABLES IDENTIFY MALE END FIRST

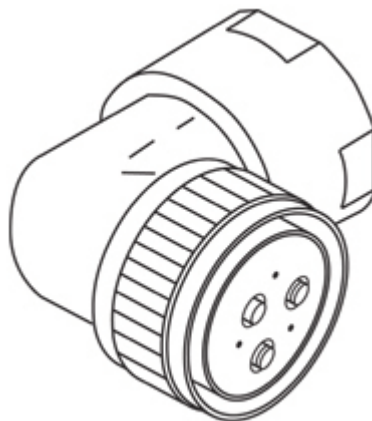
RF	END 1		END 2			CABLE			J ADDITIONAL OPTIONS
	AA CONNECTOR STYLE	B STRAIN RELIEF TYPE	CC CONNECTOR TYPE	DD CONNECTOR STYLE	E STRAIN RELIEF TYPE	F CABLE TYPE	G CONDUCTOR CONFIGURATION	HH LENGTH (FEET)	
M1	Male Straight Plug	1 No Strain Relief Cord Grip Only	RF 36 Shell FT Rapid Change	M1 Male Straight Plug	0 N/A	A BIW (composite)	E 6 AWG 3c.	INSERT CABLE LENGTH IN FEET	LEAVE BLANK FOR NONE OR SEE A SYNDEVCO REP.
M3	Male Straight Flanged Plug	2 Urethane StrainAid	00 None	M3 Male Straight Flanged Plug	1 No Strain Relief Cord Grip Only	B TPC (composite)	F 6 AWG 3c. + 3c (control)		
M5	Male 90 degree Plug	3 Basket Weave	See a Syndevco Representative for further options	M5 Male 90 degree Plug	2 Urethane StrainAid	C Elocab (composite)	G 4 AWG 3c.		
F2	Female Straight Receptacle	See a Syndevco Representative for further options		F2 Female Straight Receptacle	3 Basket Weave	D Carol (composite)	H 4 AWG 3c. + 3c (control)		
F4	Female Straight Flanged Recept.			F4 Female Straight Flanged Recept.	See a Syndevco Representative for further options	E Tiger (composite)	J 2 AWG 3c.		
	See a Syndevco Representative for further options			00 None		See a Syndevco Representative for further options	K 2 AWG 3c. + 3c (control)	See a Syndevco Representative for further options	
				L2 Blunt w/ lugs					
			See a Syndevco Representative for further options						

CONNECTOR STYLES

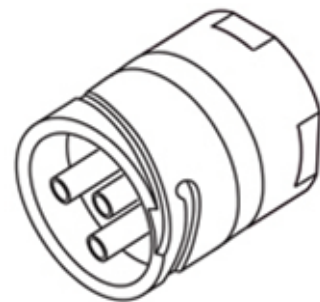
RFM1 Male Straight Plug (Line Side)
(Plugs have an active coupler and mate with receptacles)



RFM5 Male 90 degree Plug (Line Side)
(Plugs have an active coupler and mate with receptacles)



RFF2 Female Straight Receptacle (Load Side)
(Receptacles have a static coupler and mate with plugs)



Notice: The information contained herein is, to the best of our knowledge, true, accurate and reliable. Since procedures and conditions under which these products may be used are beyond our control, no warranty, expressed or implied, is made to their performance.



Syndevco Inc.

24205 Telegraph Rd - Southfield MI 48033
 Toll Free: (800) 356-2839 Local: (248) 356-2839 Fax: (248) 356-0928
 visit us at: www.syndevco.com

Syndevco Inc.
 Registered to ISO 9001:2015
 10002227 QM15



C2 Series Transgun Panel Mounts

(248) 356-2839

Economical receptacles enable quick connecting to a transgun or power distribution box

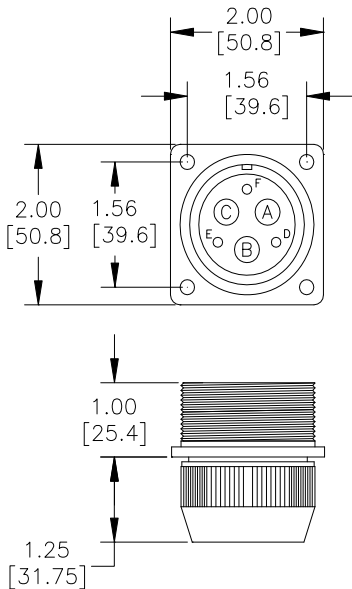
FEATURES

- Compact size
- 6 AWG - 4 AWG power conductor choices
- Auxiliary conductors available for control connections
- Military style (fine thread style) mating connection
- Choose mating cables from C2 Series Transgun Cables
- Design assistance readily available
- Dressout assistance readily available
- 'Value Added' services available— power distribution assemblies, dense packs, complete dressouts

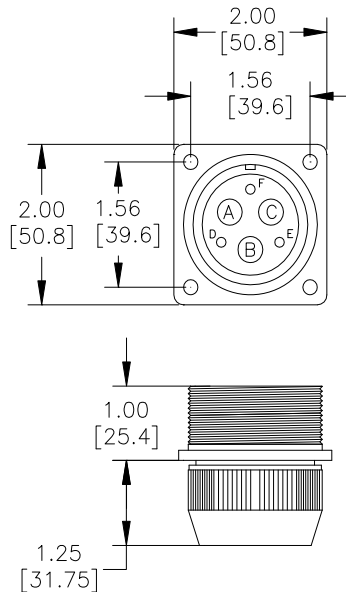


DIMENSIONS

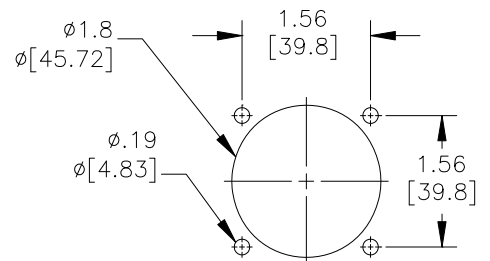
C2M40 Male Flanged Receptacle (Load)



C2F40 Female Flanged Receptacle (Line)



Mounting Hole Pattern



Units of Measure: inches [mm]

Notice: The information contained herein is, to the best of our knowledge, true, accurate and reliable. Since procedures and conditions under which these products may be used are beyond our control, no warranty, expressed or implied, is made to their performance.



Syndevco Inc.

Sheet: 230818

24205 Telegraph Rd - Southfield MI 48033

Toll Free: (800) 356-2839 Local: (248) 356-2839 Fax: (248) 356-0928

visit us at: www.syndevco.com



C2 Series Transgun Panel Mounts

PART NUMBER SYSTEM

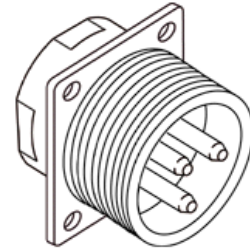
GENERIC PART NUMBER:

C2AAA-BB-CC-D

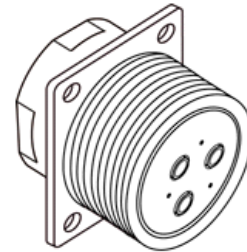
SAMPLE PART NUMBER:

C2M40- GG-03

C2	AAA		BB		CC	D
	CONNECTOR STYLE		CONDUCTOR CONFIGURATION		LENGTH (FEET)	ADDITIONAL OPTIONS
M40	Straight Male Flanged Recept.		GE	6 AWG 3c.	INSERT CABLE LENGTH IN FEET	LEAVE BLANK FOR NONE OR SEE A SYNDEVCO REP.
F40	Straight Female Flanged Recept.		GF	6 AWG 3c. + 3c (control)		
See a Syndevco Representative for further options		GG	4 AWG 3c.			
			GH	4 AWG 3c. + 3c (control)		
				See a Syndevco Representative for further options		



C2M40 Male Flanged Receptacle
(Load Side)



C2F40 Female Flanged Receptacle
(Line Side)

Please see our other products for further
design solutions



GTP Series
Power Distribution Boxes



Stamped Series
Compact Power Blocks



C2 Series
Transgun Cables

Notice: The information contained herein is, to the best of our knowledge, true, accurate and reliable. Since procedures and conditions under which these products may be used are beyond our control, no warranty, expressed or implied, is made to their performance.



DQS Inc.
Syndevco Inc.
Registered to ISO 9001:2015
1000227 QM15

Syndevco Inc.

24205 Telegraph Rd - Southfield MI 48033

Toll Free: (800) 356-2839 Local: (248) 356-2839 Fax: (248) 356-0928

visit us at: www.syndevco.com



C2 Series Transgun Cables

(248) 356-2839

Industrial strength connectors, with urethane strain reliefs for longer service life

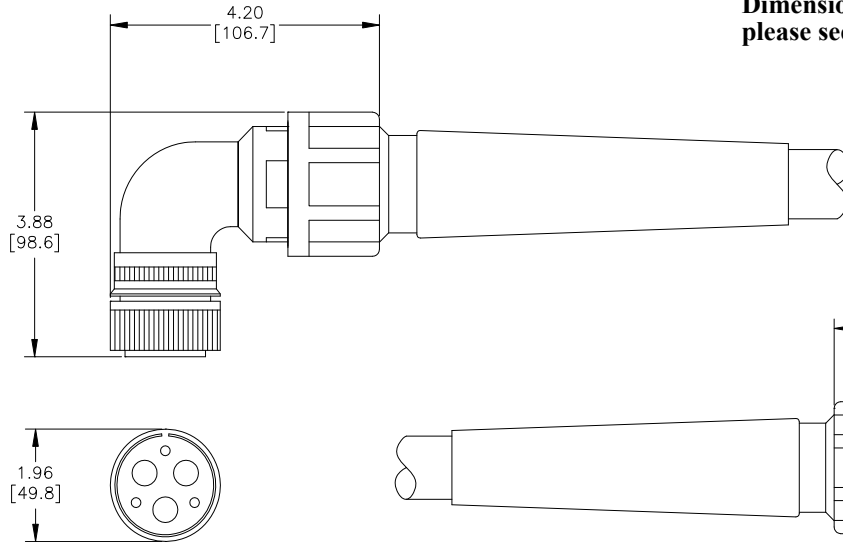
FEATURES

- 6 AWG - 4 AWG power conductor choices
- Auxiliary conductors available for control connections
- Military style (fine thread style) mating connection
- Choose mating panel mounts from C2 Series Panel Mounts
- Design assistance readily available
- Dressout assistance readily available
- 'Value Added' services available– power distribution assemblies, dense packs, complete dressouts



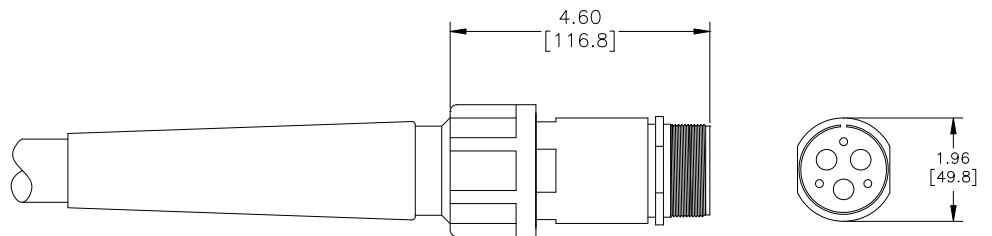
DIMENSIONS

90 Degree Plug



Dimensions are reference only– for exact information please see a Syndevco Representative.

Straight Receptacle



Units of Measure: inches [mm]

Notice: The information contained herein is, to the best of our knowledge, true, accurate and reliable. Since procedures and conditions under which these products may be used are beyond our control, no warranty, expressed or implied, is made to their performance.



DQS Inc.
Syndevco Inc.
Registered to ISO 9001:2015
1000227 QM15

Syndevco Inc.

Sheet: 230818

24205 Telegraph Rd - Southfield MI 48033

Toll Free: (800) 356-2839 Local: (248) 356-2839 Fax: (248) 356-0928

visit us at: www.syndevco.com



C2 Series Transgun Cables

PART NUMBER SYSTEM

GENERIC PART NUMBER: C2AAB-CCDDE-FG-HH-J

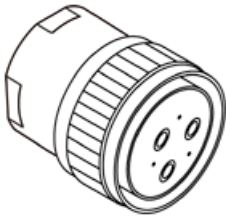
SAMPLE PART NUMBER: C2M52-C2F12-BG-10

NOTE: ON DUAL ENDED CABLES IDENTIFY MALE END FIRST

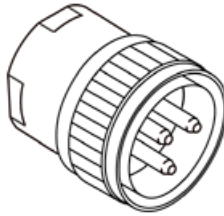
C2	END 1		END 2			CABLE			J ADDITIONAL OPTIONS	
	AA CONNECTOR STYLE	B STRAIN RELIEF TYPE	CC CONNECTOR TYPE	DD CONNECTOR STYLE	E STRAIN RELIEF TYPE	F CABLE TYPE	G CONDUCTOR CONFIGURATION	HH LENGTH (FEET)		
M1	Straight Male Plug	1 No Strain Relief Cord Grip Only	C2 C2 Style Connector	M1 Straight Male Plug	0 N/A	A BIW (composite)	E 6 AWG 3c.	INSERT CABLE LENGTH IN FEET	Leave blank for none or see a Syndevco Representative for further options	
M2	Straight Male Receptacle	2 Urethane StrainAid	0 0 None	M2 Straight Male Receptacle	1 No Strain Relief Cord Grip Only	B TPC (composite)	F 6 AWG 3c. + 3c (control)			
M5	90 deg Male Plug	3 Basket Weave	See a Syndevco Representative for further options	M5 90 deg Male Plug	2 Urethane StrainAid	C Elocab (composite)	G 4 AWG 3c.			
F1	Straight Female Plug	See a Syndevco Representative for further options		F1 Straight Female Plug	3 Basket Weave	D Carol (composite)	H 4 AWG 3c. + 3c (control)			
F2	Straight Female Receptacle			F2 Straight Female Receptacle	See a Syndevco Representative for further options	E Tiger (composite) See a Syndevco Representative for further options	See a Syndevco Representative for further options			
F5	90 deg Female Plug			F5 90 deg Female Plug						
See a Syndevco Representative for further options				0 0 None (blunt)						
		L2 Blunt w / lugs	See a Syndevco Representative for further options							

CONNECTOR STYLES

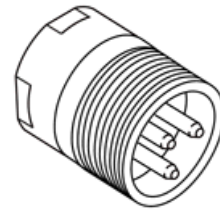
**C2F1 Female Straight Plug
(Line Side)**



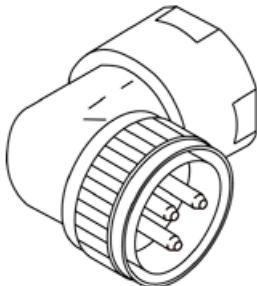
**C2M1 Male Straight Plug
(Load Side)**



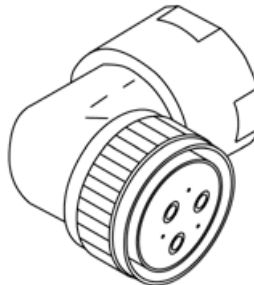
**C2M2 Male Straight Receptacle
(Load Side)**



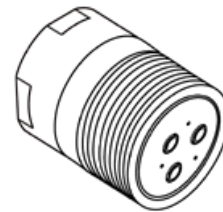
**C2M5 Male 90 Degree plug
(Line Side)**



**C2F5 Female 90 Degree Plug
(Load Side)**



**C2F2 Female Straight Receptacle
(Line Side)**



Notice: The information contained herein is, to the best of our knowledge, true, accurate and reliable. Since procedures and conditions under which these products may be used are beyond our control, no warranty, expressed or implied, is made to their performance.



DQS Inc.
Syndevco Inc.
Registered to ISO 9001:2015
10002227-QM15

Syndevco Inc.

24205 Telegraph Rd - Southfield MI 48033

Toll Free: (800) 356-2839 Local: (248) 356-2839 Fax: (248) 356-0928

visit us at: www.syndevco.com



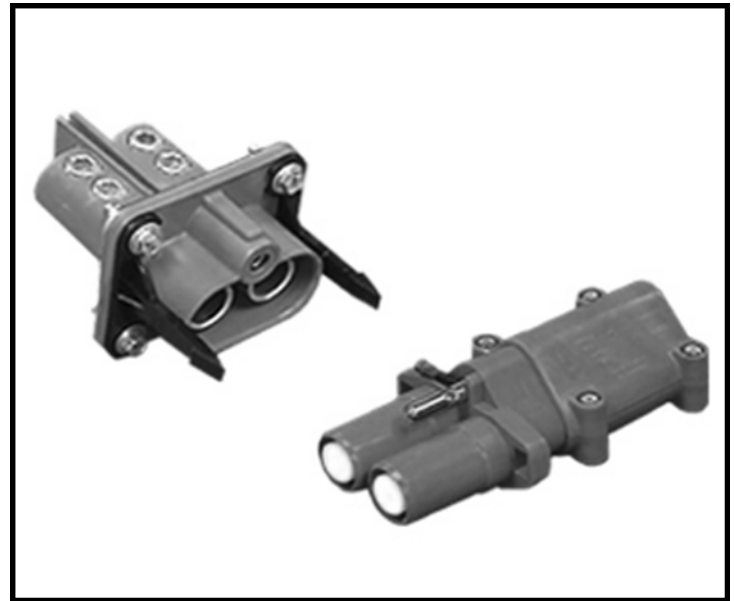
8000 Series Two Pole Plugs

(248) 356-2839

*Quick connect, field wirable connectors
for larger size cables which allow for
high current capacities*

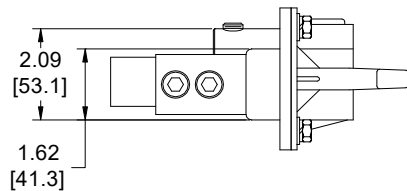
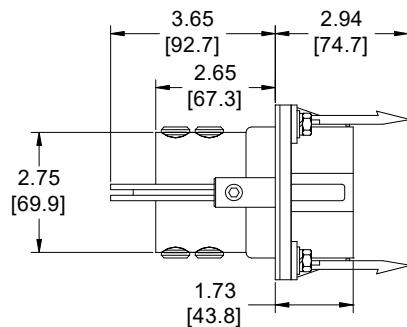
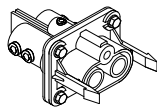
FEATURES

- Quick connection for larger size cables
- Cable range 4/O AWG– 4 AWG
- Field wirable w/ no special tools required
- ‘Finger Tipped’ insulated male contacts for the ultimate in safety (male is the line end)
- 600 Volt rated
- 460 Amp continuous current capacity
- 90 degree Celsius rated
- Visible locking mechanism
- Variety of standard colors
- ‘Value Added’ services available– power distribution assemblies, cable assemblies, etc.

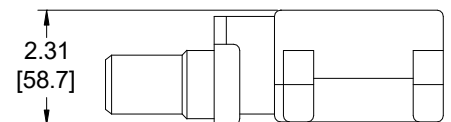
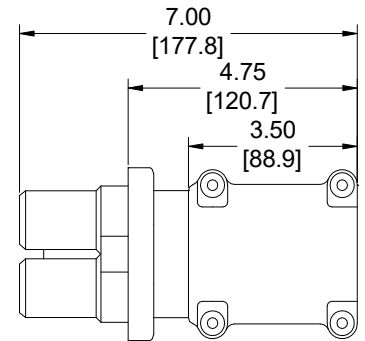
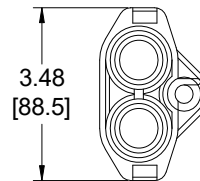
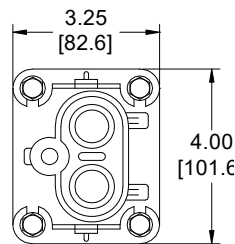
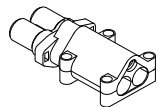


DIMENSIONS

Female Contact (load side)



Male Contact (line side)



Units of Measure: inches [mm]

Notice: The information contained herein is, to the best of our knowledge, true, accurate and reliable. Since procedures and conditions under which these products may be used are beyond our control, no warranty, expressed or implied, is made to their performance.



Syndevco Inc.

Sheet: 230818

24205 Telegraph Rd - Southfield MI 48033

Toll Free: (800) 356-2839 Local: (248) 356-2839 Fax: (248) 356-0928

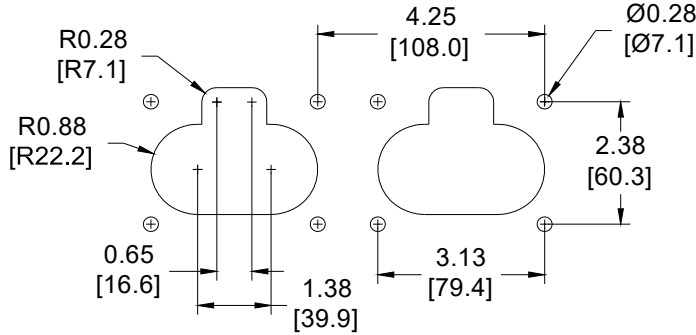
visit us at: www.syndevco.com

DQS Inc.
Syndevco Inc.
Registered to ISO 9001:2015
10002227 QM15



8000 Series Two Pole Plugs

MOUNTING DIMENSIONS—FEMALE RECEPTACLE

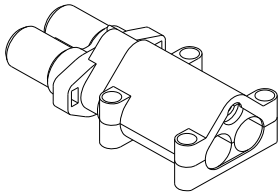


Units of measure: inches [mm]

PART NUMBERING

**Male Contact
(line side)**

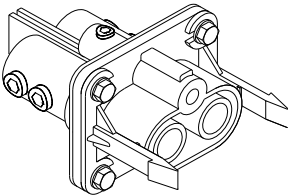
GENERIC PART NUMBER: 83WXX-Y-Z
SAMPLE PART NUMBER: 8322G-O



W		XX		Y		Z
CONDUCTOR RANGE		STRAIN RELIEF		COLOR		ADDITIONAL OPTIONS
2	4/0 AWG- 1/0 AWG	0G	2/0 AWG Flat Oval Cable	O	Orange	Leave blank for none or see a Syndevco Representative for further options
3	1/0 AWG- 4 AWG	1G	4/0 AWG Flat Oval Cable	Y	Yellow	
See a Syndevco Representative for further options		2G	2 individual 7/8 in diameter	R	Red	
		3G	2 individual 3/4 in diameter	W	White	
		4G	2 individual 5/8 in diameter	B	Black	
		5G	2 individual 1/2 in diameter	See a Syndevco Representative for further options		
		See a Syndevco Representative for further options				

**Female Contact
(load side)**

GENERIC PART NUMBER: 84XX-Y-Z
SAMPLE PART NUMBER: 8420-O



84	XX		Y		Z
	CONDUCTOR TYPE		COLOR		ADDITIONAL OPTIONS
	QTY	WIRE RANGE			
20	1	4/0 AWG- 1/0 AWG	O	Orange	Leave blank for none or see a Syndevco Representative for further options
30	1	1/0 AWG- 4 AWG	Y	Yellow	
40	4	2 AWG- 14 AWG	R	Red	
60	6	2 AWG- 14 AWG	W	White	
80	2	4/0 AWG-1/0 AWG	B	Black	
See a Syndevco Representative for further options			See a Syndevco Representative for further options		

Notice: The information contained herein is, to the best of our knowledge, true, accurate and reliable. Since procedures and conditions under which these products may be used are beyond our control, no warranty, expressed or implied, is made to their performance.



Syndevco Inc.

24205 Telegraph Rd - Southfield MI 48033
Toll Free: (800) 356-2839 Local: (248) 356-2839 Fax: (248) 356-0928
visit us at: www.syndevco.com



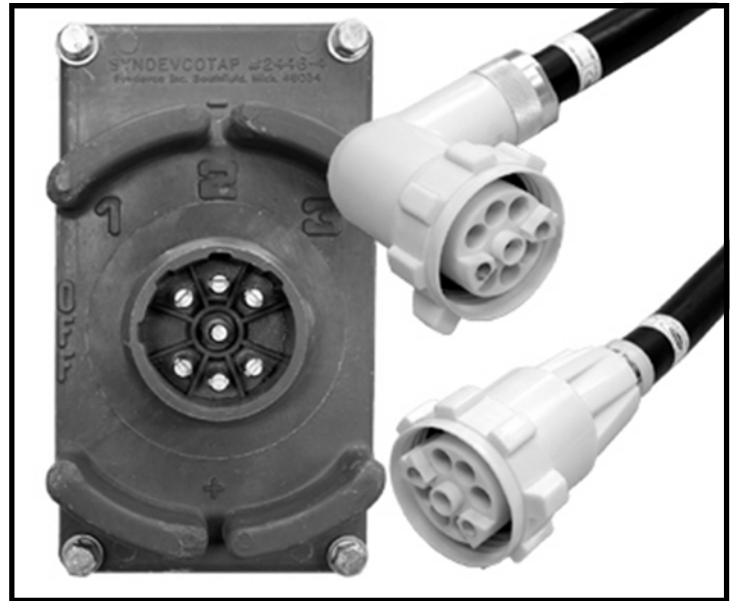
2446 Series Tap Switch and Cable

(248) 356-2839

Constructed from nonconductive material, has no moving parts and is waterproof for safety

FEATURES

- No moving parts– no wiper– just reposition the plug to get up to 3 different settings
- Contacts are silver-plated copper
- Connector constructed of nonconductive material
- 600 Volt rated
- 90 degree Celsius rated
- 150 Amps @ 30 degree Celsius continuous current capacity
- Straight and 90 degree plug heads available
- Waterproof transformer receptacle
- Custom lengths of cables readily available
- 2 AWG type W cable used as a standard
- Custom type and brand of cable available
- ‘Value Added’ services available



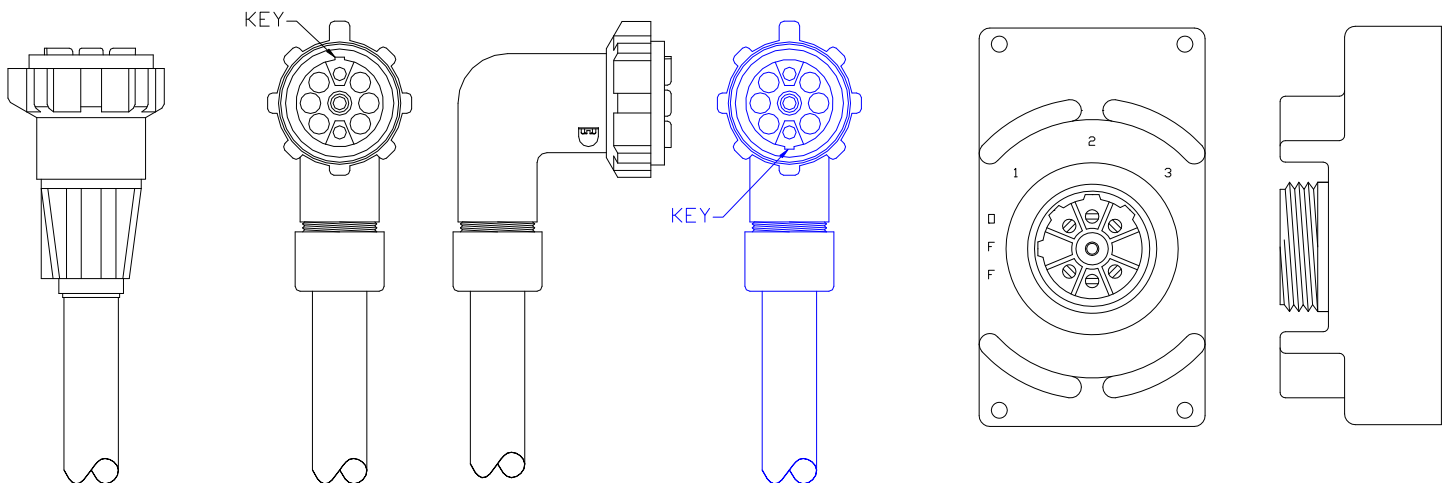
PART NUMBERING

STANDARD STRAIGHT
2446-W-XX

STANDARD 90 DEGREE
2446-H90-XX

OPTIONAL 90 DEGREE (OPPOSITE KEYWAY)
2446-H90B-XX

2446-4



XX in part number denotes length in feet
For special options see a Syndevco representative

Notice: The information contained herein is, to the best of our knowledge, true, accurate and reliable. Since procedures and conditions under which these products may be used are beyond our control, no warranty, expressed or implied, is made to their performance.



Syndevco Inc.

Sheet: 230818

24205 Telegraph Rd - Southfield MI 48033

Toll Free: (800) 356-2839 Local: (248) 356-2839 Fax: (248) 356-0928

visit us at: www.syndevco.com

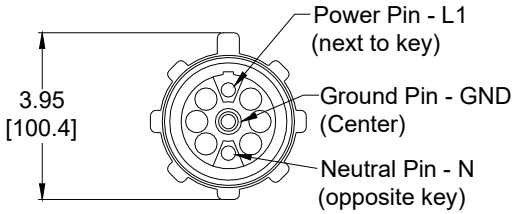


2446 Series Tap Switch and Cable

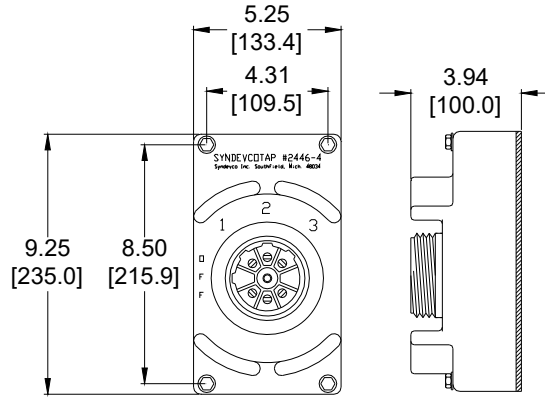
DIMENSIONS

Units of Measure inches
 [mm]

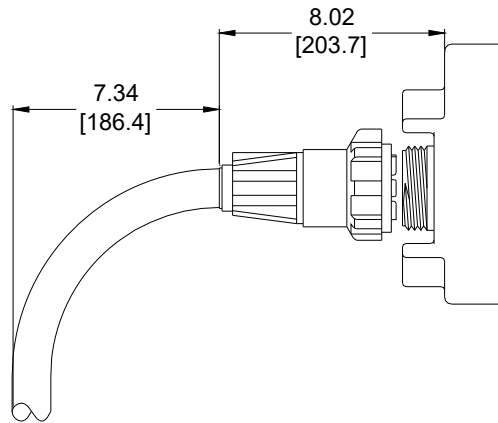
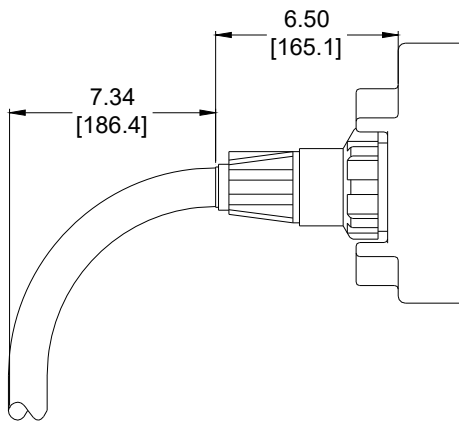
Cable Plug (Face View)
[do not scale]



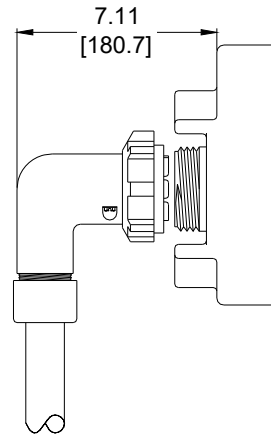
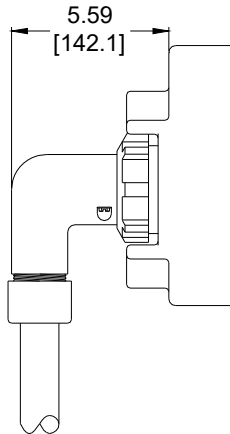
2446-4 Tap Switch



2446-W Cable Assembly



2446-H90 Cable Assembly



Notice: The information contained herein is, to the best of our knowledge, true, accurate and reliable. Since procedures and conditions under which these products may be used are beyond our control, no warranty, expressed or implied, is made to their performance.



Syndevco Inc.

24205 Telegraph Rd - Southfield MI 48033
Toll Free: (800) 356-2839 Local: (248) 356-2839 Fax: (248) 356-0928
visit us at: www.syndevco.com



3000 Series Cable Strain Aid

(248) 356-2839

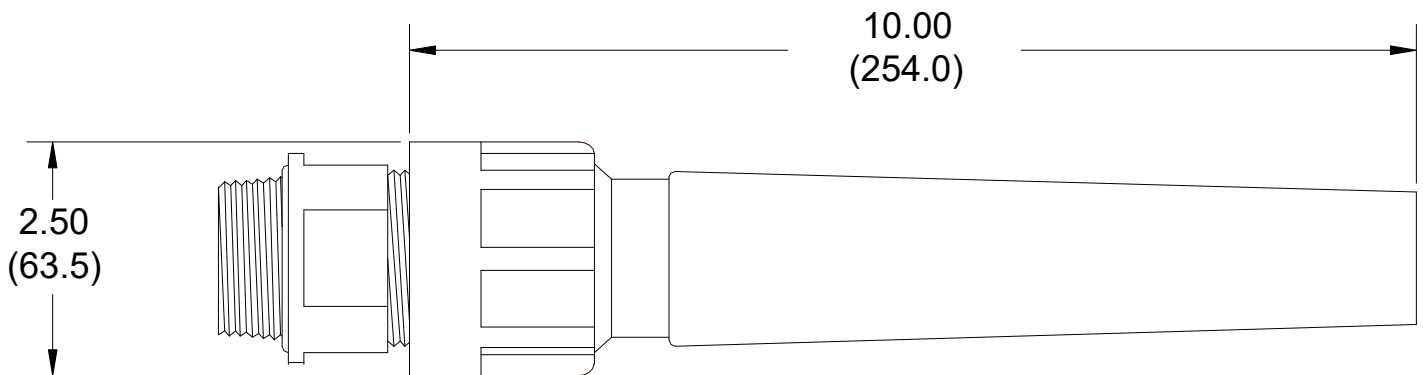
The 3000 Series Cable Strain Aid provides optimal strain relief for maximum life

FEATURES

- Superior design to control bend radius of *TRANSGUN* primary cable
- Eliminates frequent downtime and maintenance
- Securely supports and removes strain from cable
- Straight and 90 degree styles available
- Provides liquid tight strain relief
- Constructed of non-conductive high grade urethane
- Molded with silicone-free release agents
- Tear and abrasion resistant
- Component parts available separately
- Available with Transgun Cable assemblies



DIMENSIONS



Units of Measure: inches
(mm)

Dimensions are approximations

Notice: The information contained herein is, to the best of our knowledge, true, accurate and reliable. Since procedures and conditions under which these products may be used are beyond our control, no warranty, expressed or implied, is made to their performance.



Syndevco Inc.

Sheet: 230818

24205 Telegraph Rd - Southfield MI 48033

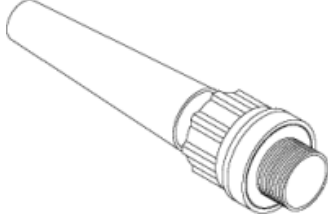
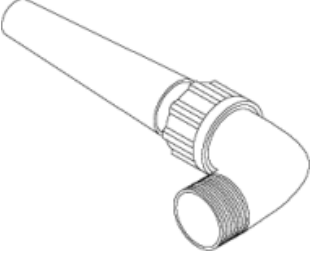
Toll Free: (800) 356-2839 Local: (248) 356-2839 Fax: (248) 356-0928

visit us at: www.syndevco.com



3000 series Cable Strain Aid

PART NUMBERING SYSTEM

Conduit Hub Size NPT	Cable Range inches	Part Number	
		Straight	90 degree
1-1/4	1.000 - 1.125		
	1.125 - 1.250	3024-00	3024-90
	1.250 - 1.375	3025-00	3025-90
1-1/2	1.000 - 1.125	3026-00	3026-90
	1.125 - 1.250	3034-00	3034-90
	1.250 - 1.375	3035-00	3035-90
		3036-00	3036-90

Please see our other strain relief products for further design solutions



**7000 Series
Cage Bushings**



**RF Series
Transgun Cables**



**C2 Series
Transgun Cables**

Notice: The information contained herein is, to the best of our knowledge, true, accurate and reliable. Since procedures and conditions under which these products may be used are beyond our control, no warranty, expressed or implied, is made to their performance.



Syndevco Inc.

24205 Telegraph Rd - Southfield MI 48033

Toll Free: (800) 356-2839 Local: (248) 356-2839 Fax: (248) 356-0928

visit us at: www.syndevco.com



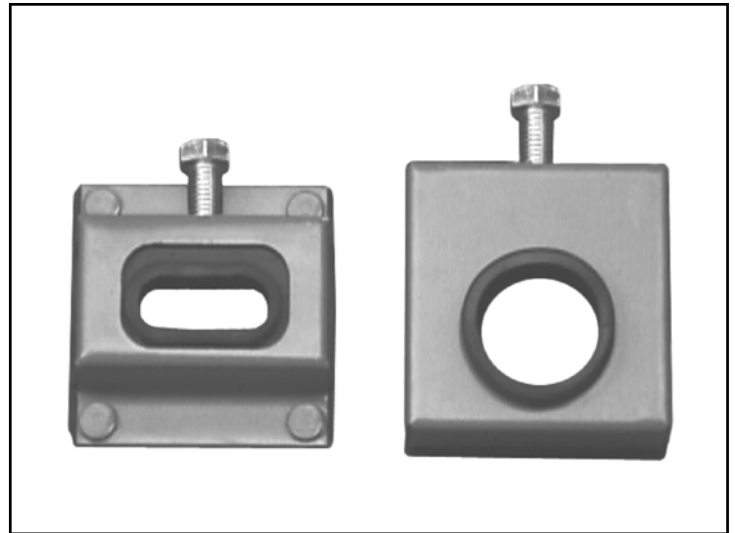
7000 Series Cage Bushings

(248) 356-2839

Provides a cost effective low profile means for power cable entry into an enclosure

FEATURES

- Cost effective
- Low profile
- Good sealing properties
- Excellent pull-out resistance
- Simple clamping mechanism
- Common mount patterns
- Cover plate available
- For oval or round cable

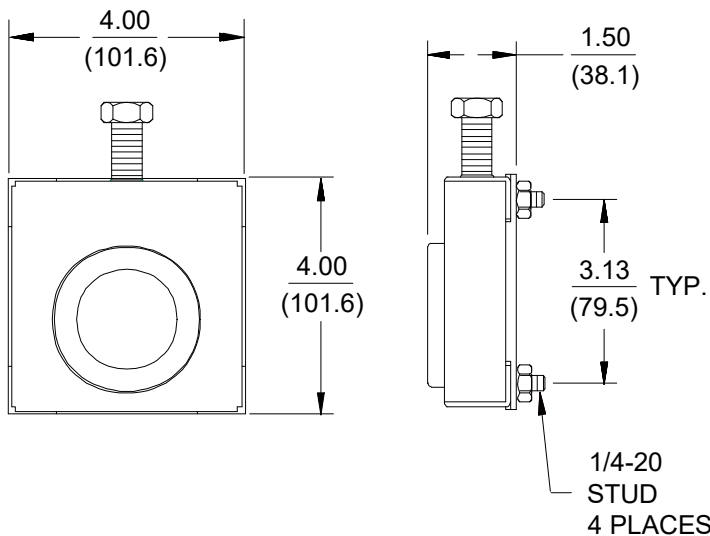


DIMENSIONS ROUND

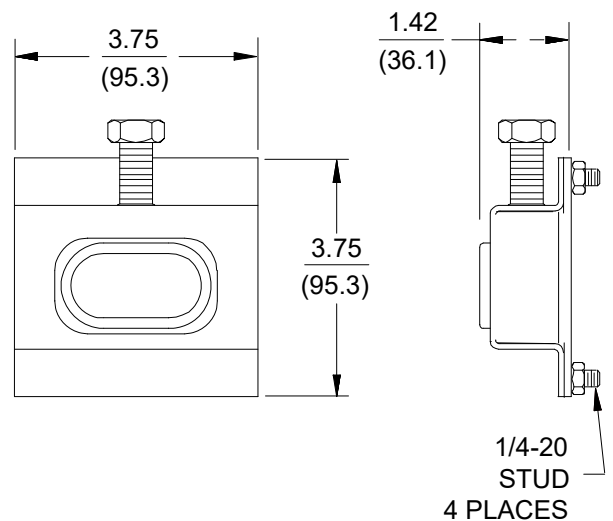
DIMENSIONS OVAL

Units of measure:

inches
[mm]



PART NUMBER SHOWN- 7090



PART NUMBER SHOWN- 7080

Notice: The information contained herein is, to the best of our knowledge, true, accurate and reliable. Since procedures and conditions under which these products may be used are beyond our control, no warranty, expressed or implied, is made to their performance.



Syndevco Inc.

Sheet: 230818

24205 Telegraph Rd - Southfield MI 48033

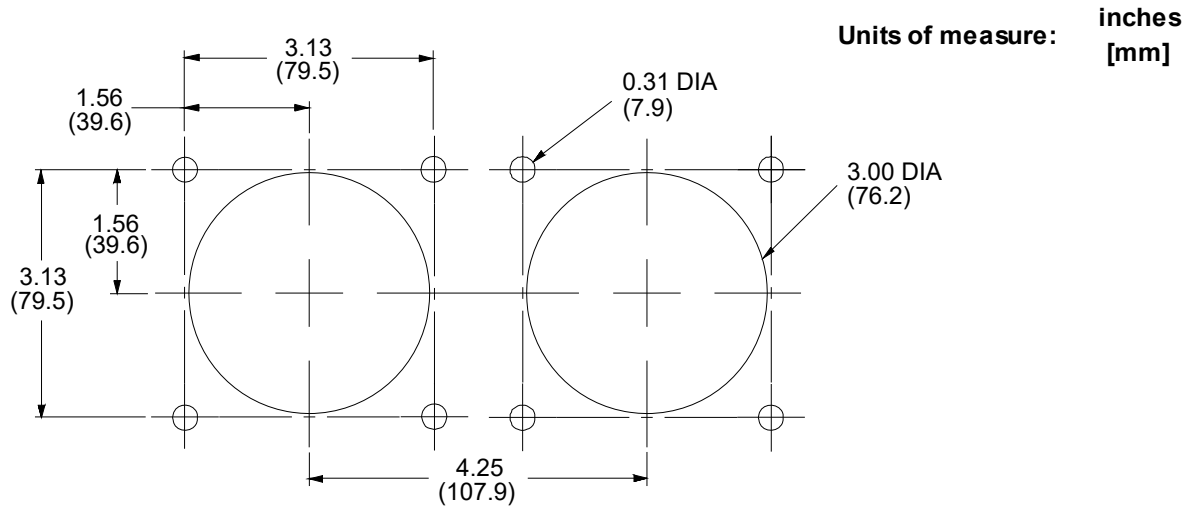
Toll Free: (800) 356-2839 Local: (248) 356-2839 Fax: (248) 356-0928

visit us at: www.syndevco.com



7000 Series Cage Bushings

MOUNTING HOLE DIMENSIONS



PART NUMBERING

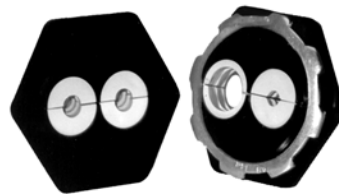
GENERIC PART NUMBER: 70XY-Z
 SAMPLE PART NUMBER: 7080

70	X		Y		Z
	Type of Cable		Size of Cable		Additional Options
8	Oval	0	2- 4/O AWG w/ 1/O AWG Gnd		Leave blank for none or see a Syndevco Representative for further options
		4	2- 4 AWG w/ 7 AWG Gnd		
9	Round	0	2- 4/O AWG w/ 1/O AWG Gnd		

Please see our other Strain Relief products for further design solutions



**3000 Series
Strain Relief**



**2490 Series
Split Bushings**

Notice: The information contained herein is, to the best of our knowledge, true, accurate and reliable. Since procedures and conditions under which these products may be used are beyond our control, no warranty, expressed or implied, is made to their performance.



Syndevco Inc.

24205 Telegraph Rd - Southfield MI 48033

Toll Free: (800) 356-2839 Local: (248) 356-2839 Fax: (248) 356-0928

visit us at: www.syndevco.com



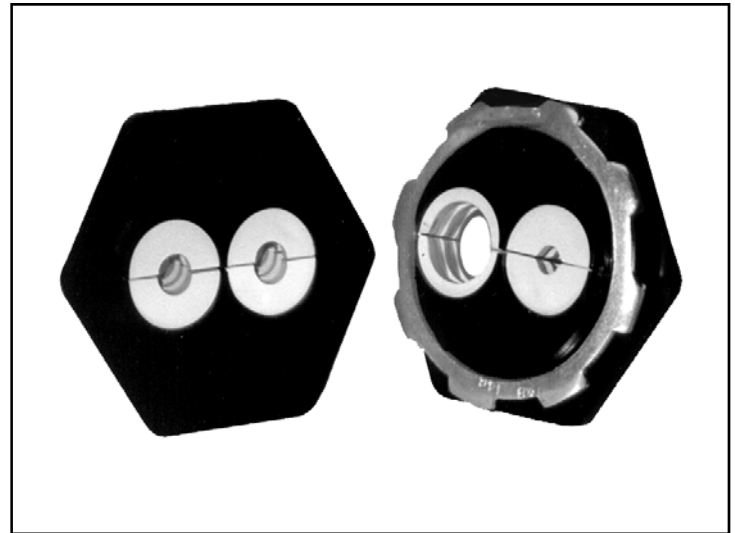
2490 Series Split Bushing

(248) 356-2839

The 2490 series Split Bushing maintains a firm grasp of all cables in a pass through water resistant device

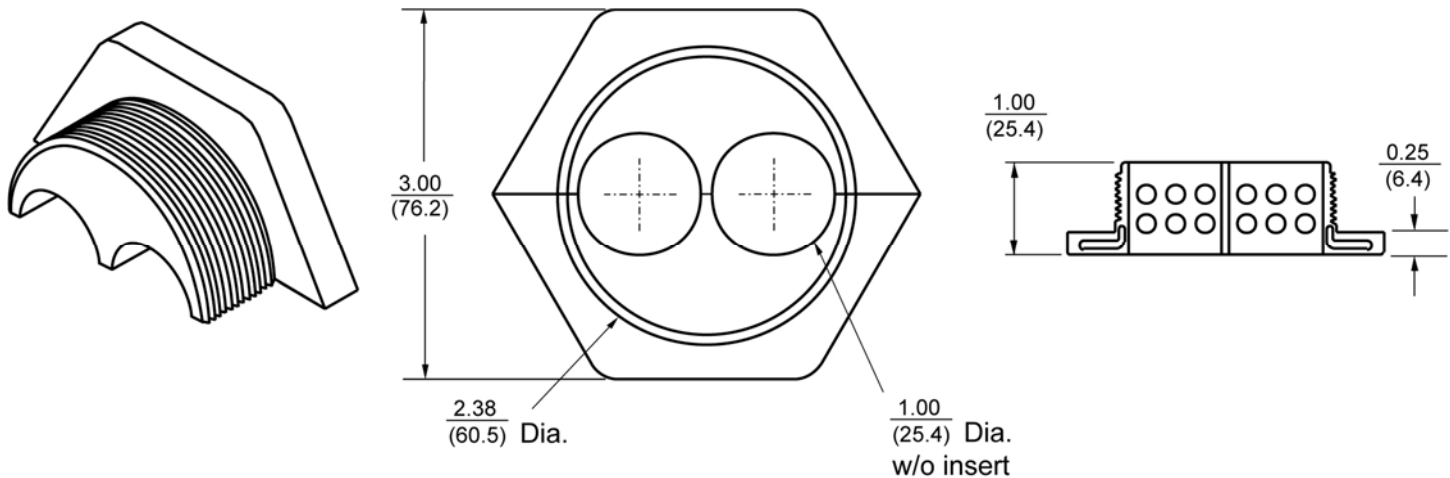
FEATURES

- "Split" type design
- Molded of 94VO flame retardant rated material
- Non conductive
- Inserts made of flexible Estane
- Keyed inserts securely lock to the body
- Accommodates two cables from 1/8" - 1"
- Accommodates four cables from 1/8" - 3/8"
- Mounts in a 2" conduit hole
- Lock nut provided, securely holds bushing to enclosure
- Customized inserts readily available



DIMENSIONS

UNIT OF MEASUREMENT $\frac{\text{in}}{\text{(mm)}}$



Notice: The information contained herein is, to the best of our knowledge, true, accurate and reliable. Since procedures and conditions under which these products may be used are beyond our control, no warranty, expressed or implied, is made to their performance.



DQS Inc.
Syndevco Inc.
Registered to ISO 9001:2015
10002227 QM15

Syndevco Inc.

Sheet: 230818

24205 Telegraph Rd - Southfield MI 48033

Toll Free: (800) 356-2839 Local: (248) 356-2839 Fax: (248) 356-0928

visit us at: www.syndevco.com



2490 Series Split Bushing

PART NUMBERING

GENERIC PART NUMBER : 2490 - YYY - Z

SAMPLE PART NUMBER : 2490 - 500

2490 -		YYY	Z
		HOLE SIZE (in)	ADDITIONAL OPTIONS
000	PLUG		I: INDICATES THE SECOND INSERT IS DIFFERENT FROM THE FIRST INSERT D: TWO HOLES IN INSERT (AVAILABLE IN 125, 250, AND 375 ONLY) R: WITHOUT LOCK NUT LEAVE BLANK FOR NONE OR SEE A SYNDEVCO REPRESENTATIVE
125	1/8		
250	1/4		
375	3/8		
500	1/2		
625	5/8		
750	3/4		
875	7/8		
999	1		

ORDER SAMPLES

BUSHING REQUIRED	REPRESENTATION	ORDERED COMPONENTS
BOTH INSERTS SINGLE 1/2 in HOLE		2490-500
INSERT 1- SINGLE 1/4 in HOLE INSERT 2- DUAL 1/4 in HOLE		2490-250/250D
INSERT 1- SINGLE 1/2 in HOLE INSERT 2- PLUG		2490-500/000
INSERT 1- DUAL 3/8 in HOLE INSERT 2- NONE NO LOCK NUT REQUIRED		2490-375D/999R

Notice: The information contained herein is, to the best of our knowledge, true, accurate and reliable. Since procedures and conditions under which these products may be used are beyond our control, no warranty, expressed or implied, is made to their performance.



Syndevco Inc.

24205 Telegraph Rd - Southfield MI 48033
 Toll Free: (800) 356-2839 Local: (248) 356-2839 Fax: (248) 356-0928
 visit us at: www.syndevco.com



SUPPORT ASSEMBLIES & MANIFOLDS

SUPPORT ASSEMBLIES

Dense Packs

- Gun Mount
- Arm Mount
- Hip Mount
- Base Mount



Utility Assemblies

- Air/ Water
- Air Only

MANIFOLDS

Wye Manifolds

- Single Stack
- Double Stack



Hex Manifolds

- NPT
- BSPT
- BSPP (G-Port)

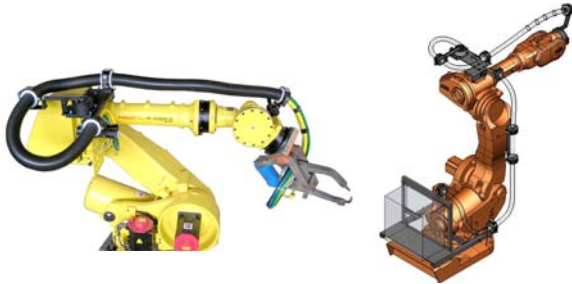
24205 Telegraph Rd. Southfield, MI 48033

Toll Free: 800-356-2839 Local: 248-356-2839 Fax: 248-356-0928

visit us at: www.syndevco.com



Robot Dressings/ Cable Management & Power Distribution



Engineered Solutions & Services



Support Assemblies & Manifolds



Clamps & Inserts



Cables & Grips



Brackets & Cable Management



Enclosure Assemblies

- Stability– over 50 years in business
- Experienced representation
- Timely response to customer requests/ requirements
- Deliveries– many stocked components to 15 day lead times
- Focused efforts– manufacturing

Syndevco



Terminal Blocks

24205 Telegraph Rd. Southfield, MI 48033
Toll Free: 800-356-2839 Local: 248-356-2839 Fax: 248-356-0928
visit us at: www.syndevco.com



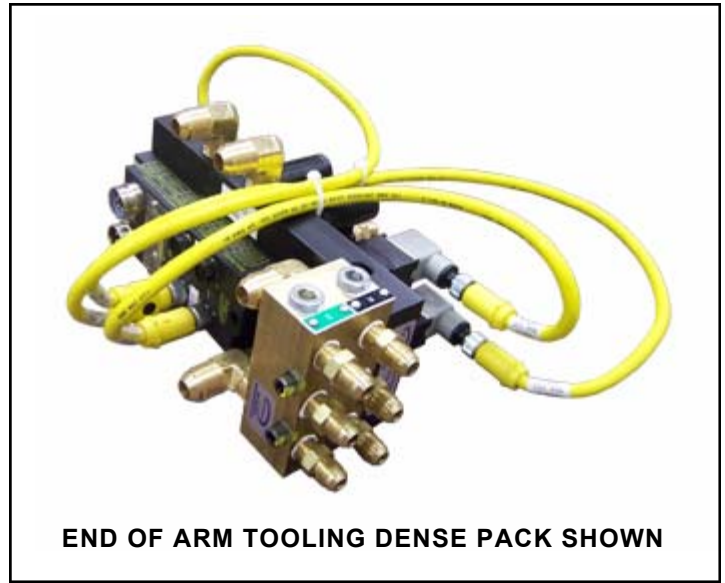
Densification Packages (Dense Packs)

(248) 356-2839

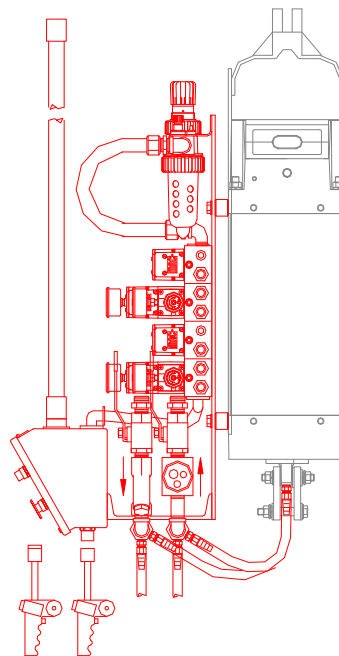
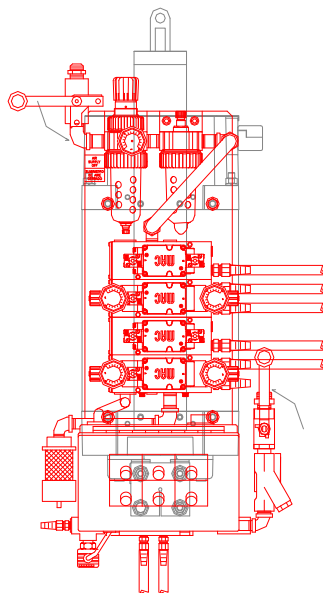
Compact packages with air, water, and controls– or any combinations of– to assist in controlling weld guns and/or EOAT (end of arm tooling)

FEATURES

- Compact, space efficient designs
- Standard or custom designs available
- Mounting for
 - Manual Guns
 - Robot Arm Mount
 - Robot Hip Mount
 - Robot EOAT (end of arm tooling) Mount
- Many Configurations (limited examples listed)
 - Transgun
 - Cable gun (portable)
 - Pedestal gun
 - Material handler
 - Combo units
- Controls [VAC, VDC, discrete and serial I/O]
- Pneumatic [shut offs, air prep, valves (weld, retract, MH, vacuum, tool changing, etc), exhaust]
- Water [shut offs, water control valves, manifolds, sensors, indicators, etc.]
- ‘Value Added’ services available
- Dressout assistance readily available



MANUAL GUN DENSE PACK (EXAMPLE)



Notice: The information contained herein is, to the best of our knowledge, true, accurate and reliable. Since procedures and conditions under which these products may be used are beyond our control, no warranty, expressed or implied, is made to their performance.



DQS Inc.
Syndevco Inc.
Registered to ISO 9001:2015
10002227 QM15

Syndevco Inc.

Sheet: 230818

24205 Telegraph Rd - Southfield MI 48033

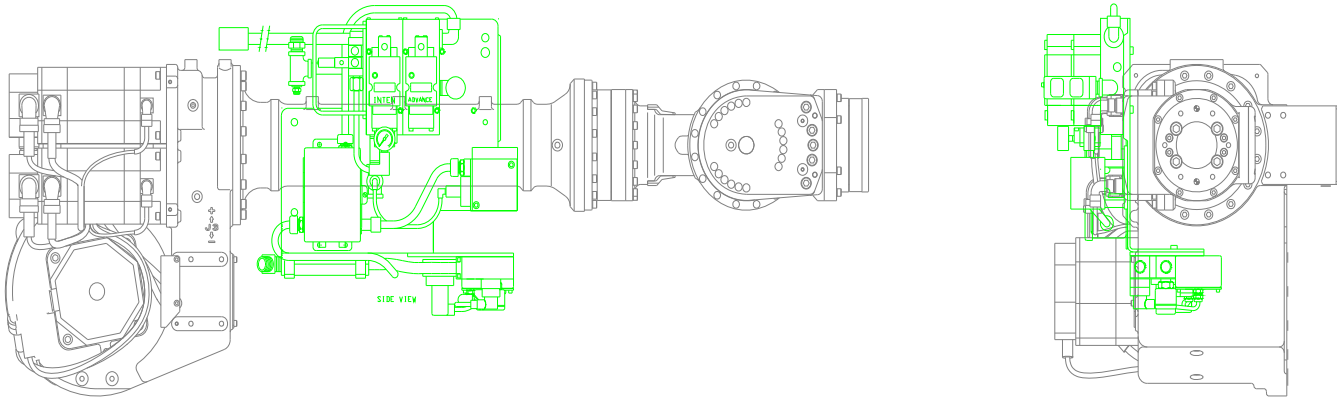
Toll Free: (800) 356-2839 Local: (248) 356-2839 Fax: (248) 356-0928

visit us at: www.syndevco.com

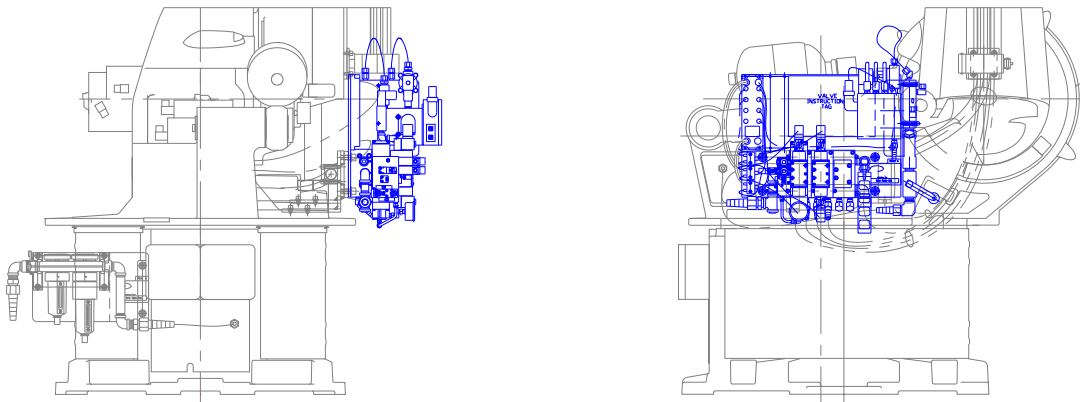


Densification Packages (Dense Packs)

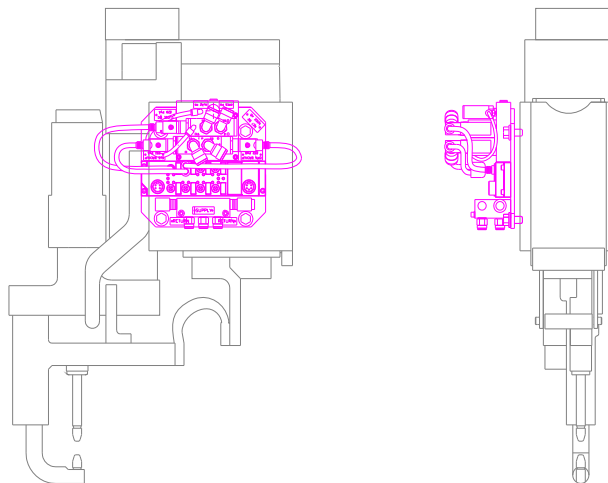
ROBOT ARM MOUNT DENSE PACK (EXAMPLE)



ROBOT HIP MOUNT DENSE PACK (EXAMPLE)



ROBOT END OF ARM TOOLING DENSE PACK (EXAMPLE)



Notice: The information contained herein is, to the best of our knowledge, true, accurate and reliable. Since procedures and conditions under which these products may be used are beyond our control, no warranty, expressed or implied, is made to their performance.



Syndevco Inc.

24205 Telegraph Rd - Southfield MI 48033

Toll Free: (800) 356-2839 Local: (248) 356-2839 Fax: (248) 356-0928

visit us at: www.syndevco.com



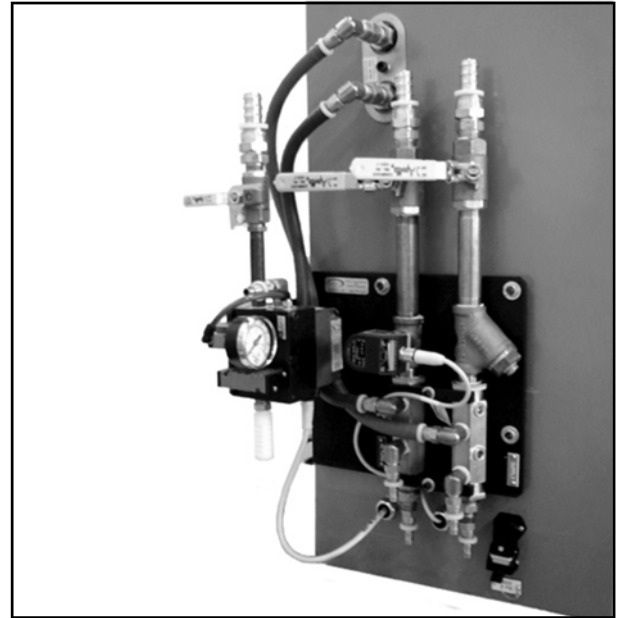
Utility Assemblies (Air / Water/ Electric)

(248) 356-2839

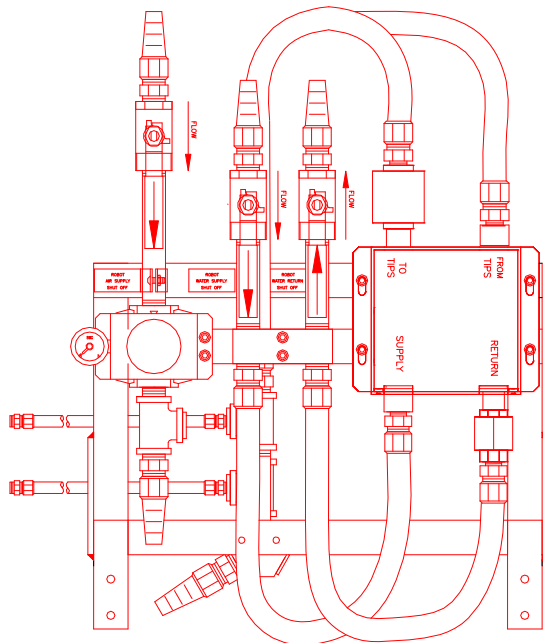
Keep shut-offs and controls in one area for ease of operation and organization. Air prep, water distribution, electric.

FEATURES

- Keep shut- offs in same area
- *Air prep*– regulators, shut-offs, filters, lubricators, gauges, etc.
- *Water distribution*– water savers, shut-offs, filters, indicators, manifolds, etc.
- *Electric*– controls, wiring, etc.
- Use in conjunction with controller stands for further organization
- Many configurations readily available
- New designs easily adapted
- Robot Dress assistance readily available
- ‘Value added’ services available



EXAMPLE (Air / Water) - not limited to



Air

- Shut-off w/ exhaust
- Regulator w/ gauge
- Distribution

Water

- Shut-offs
- Water saver
- Manifold

Electric

- Device Net connections

Notice: The information contained herein is, to the best of our knowledge, true, accurate and reliable. Since procedures and conditions under which these products may be used are beyond our control, no warranty, expressed or implied, is made to their performance.



DQS Inc
Syndevco Inc.
*Registered to ISO 9001:2015
10002227 QM15

Syndevco Inc.

Sheet: 230818

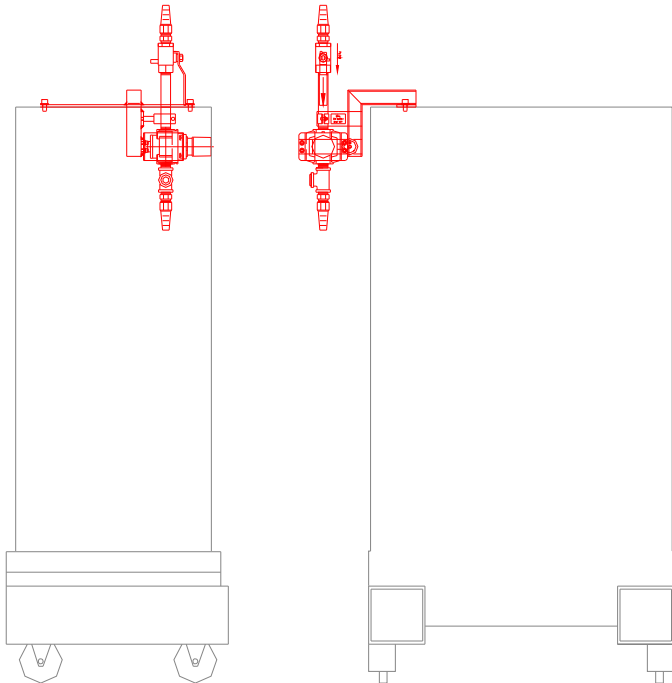
24205 Telegraph Rd - Southfield MI 48033
Toll Free: (800) 356-2839 Local: (248) 356-2839 Fax: (248) 356-0928

visit us at: www.syndevco.com



Utility Assemblies (Air / Water / Electric)

EXAMPLE (Air) - not limited to

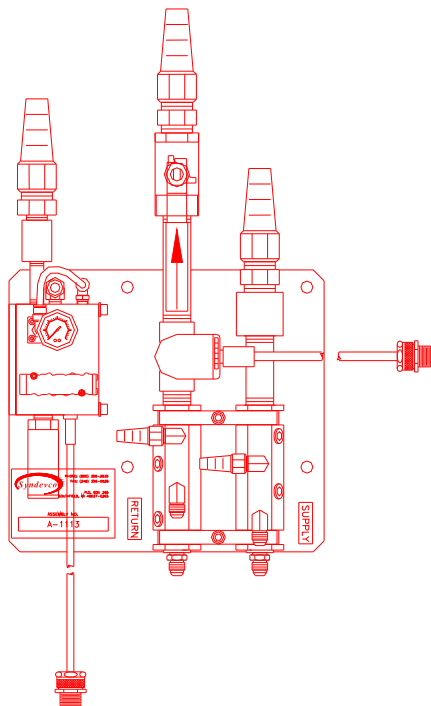


Shown with: Controller

Air

- Shut-off w/ exhaust
- Regulator w/ gauge
- Distribution

EXAMPLE (2) - not limited to



Air

- Proportional Regulator w/ gauge
- Distribution

Water

- Shut-off
- Flow Switch
- Check Valve
- Manifold

Electric

- Hardwire connections

Notice: The information contained herein is, to the best of our knowledge, true, accurate and reliable. Since procedures and conditions under which these products may be used are beyond our control, no warranty, expressed or implied, is made to their performance.



Syndevco Inc.

24205 Telegraph Rd - Southfield MI 48033
Toll Free: (800) 356-2839 Local: (248) 356-2839 Fax: (248) 356-0928
visit us at: www.syndevco.com



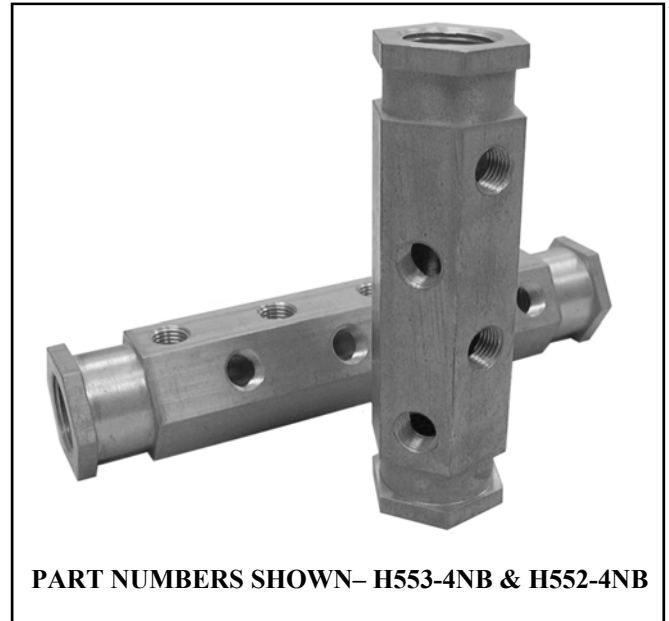
H Series Manifolds

(248) 356-2839

Compact manifolds with a variety of ports, port sizes, thread types, material and mounting options

FEATURES

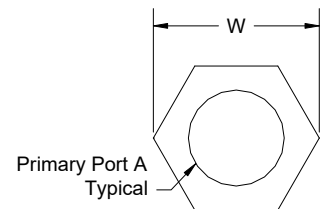
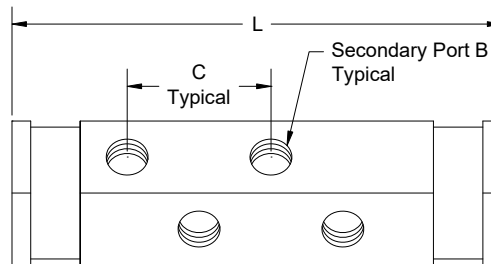
- Compact size
- Brass or Aluminum construction
- Primary port range from 3/8 inch to 2 inch
- Secondary port range from 1/8 inch to 3/4 inch
- Bottom mount U-bolt clamps available
- Top mount Wing clamps available
- Thread types available
 - NPT—Standard
 - BSPT
 - BSPP (G port)
- Inquire about other thread types
- Value added services available



PART NUMBERS SHOWN— H553-4NB & H552-4NB

DIMENSIONS

Primary Port A	W-Width	
	in	mm
3/8	1.15	29.2
1/2	1.44	36.6
3/4	1.73	43.9
1	2.31	58.7
1-1/4	2.31	58.7
1-1/2	2.60	66.0
2	3.18	80.8



Secondary Port B Size	L-Length											C Distance Between
	Number of Secondary Port B											
	2	3	4	5	6	7	8	9	10	11	12	
in	in	in	in	in	in	in	in	in	in	in	in	in
mm	mm	mm	mm	mm	mm	mm	mm	mm	mm	mm	mm	mm
1/8	2.50	3.00	3.50	4.00	4.50	5.00	5.50	6.00	6.50	7.00	7.50	1.00
	63.5	76.2	88.9	101.6	114.3	127.0	139.7	152.4	165.1	177.8	190.5	25.4
1/4	2.85	3.60	4.35	5.10	5.85	6.60	7.35	8.10	8.85	9.60	10.35	1.05
	72.4	91.4	110.5	129.5	148.6	167.6	186.7	205.7	224.8	243.8	262.9	26.7
3/8	3.24	4.24	5.24	6.24	7.24	8.24	9.24	10.24	11.24	12.24	13.24	1.12
	82.3	107.7	133.1	158.5	183.9	209.3	234.7	260.1	285.5	310.9	336.3	28.4
1/2	3.51	4.63	5.76	6.88	8.01	9.13	10.26	11.38	12.51	13.63	14.76	1.19
	89.0	117.6	146.2	174.8	203.3	231.9	260.5	289.1	317.6	346.2	374.8	30.2
3/4	3.98	5.35	6.73	8.10	9.48	10.85	12.23	13.60	14.98	16.35	17.73	1.30
	101.0	135.9	170.8	205.7	240.7	275.6	310.5	345.4	380.4	415.3	450.2	33.0

Notice: The information contained herein is, to the best of our knowledge, true, accurate and reliable. Since procedures and conditions under which these products may be used are beyond our control, no warranty, expressed or implied, is made to their performance.



Syndevco Inc.

Sheet: 230818

24205 Telegraph Rd - Southfield MI 48033

Toll Free: (800) 356-2839 Local: (248) 356-2839 Fax: (248) 356-0928

visit us at: www.syndevco.com



H Series Manifolds

PART NUMBER SYSTEM

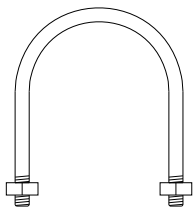
GENERIC PART NUMBER: **HAAA-BCD-E**
 SAMPLE PART NUMBER: **H553-4NB**

H	AAA Manifold Number	B Quantity of Secondary Ports	C Thread Type	D Type of Material	E ADDITIONAL OPTIONS	
Insert Manifold Number from Chart to the Right	2	two	N	NPT	B	Brass
	3	three				
	4	four	B	BSPT	A	Aluminum
	5	five				
	6	six	P	BSPP (G port)	See a Syndevco Representative for further options	
	7	seven				
	8	eight				
	9	nine				
	10	ten				
	11	eleven				
	12	twelve	See a Syndevco Representative for further options			

Manifold Number	Port A	Port B
331	3/8	1/8
332	3/8	1/4
441	1/2	1/8
442	1/2	1/4
551	3/4	1/8
552	3/4	1/4
553	3/4	3/8
661	1	1/8
662	1	1/4
663	1	3/8
664	1	1/2
771	1-1/4	1/8
772	1-1/4	1/4
773	1-1/4	3/8
774	1-1/4	1/2
881	1-1/2	1/8
882	1-1/2	1/4
883	1-1/2	3/8
884	1-1/2	1/2
991	2	1/8
992	2	1/4
993	2	3/8
994	2	1/2
995	2	3/4

MOUNTING ACCESSORIES

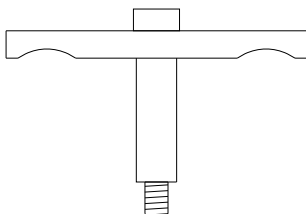
U-Bolt (Bottom Mount)



2 pcs required per manifold

Primary Port Size	Part Number
3/8	U101
1/2	U102
3/4	U143
1	U145
1-1/4	U146
1-1/2	U387
2	U388

Wing Clamp (Top Mount) [for mounting pairs]



2 pcs required per pair of manifolds

Primary Port Size	Part Number
3/8	W101
1/2	W102
3/4	W143
1	W145

English bolt standard
Use a -M to specify Metric

Notice: The information contained herein is, to the best of our knowledge, true, accurate and reliable. Since procedures and conditions under which these products may be used are beyond our control, no warranty, expressed or implied, is made to their performance.



Syndevco Inc.

24205 Telegraph Rd - Southfield MI 48033
 Toll Free: (800) 356-2839 Local: (248) 356-2839 Fax: (248) 356-0928
 visit us at: www.syndevco.com



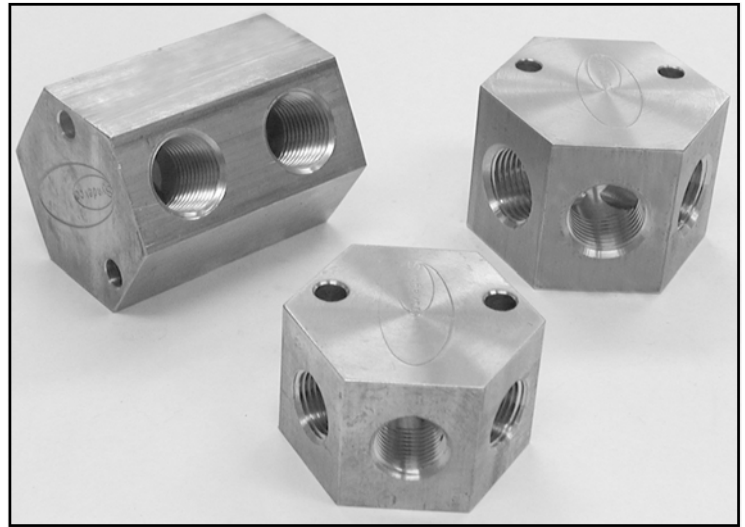
Wye Series Manifolds

(248) 356-2839

Brass compact wye manifolds with two or three secondary ports

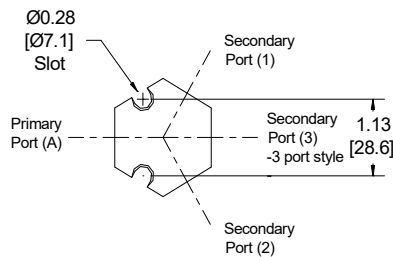
FEATURES

- Compact size
- Easily mounts with 1/4 or M6 bolts
- Brass construction
- Thread types available
 - NPT—Standard
 - BSPT
 - BSPP (G port)
- Excellent to supply weld tips in parallel
- 1/8 to 1 inch port sizes available
- Two or three secondary ports available
- Dressout assistance readily available

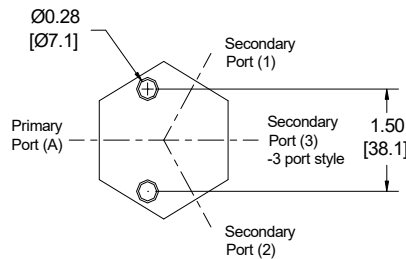


DIMENSIONS

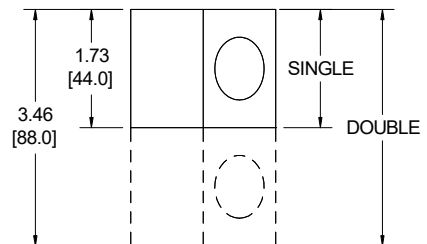
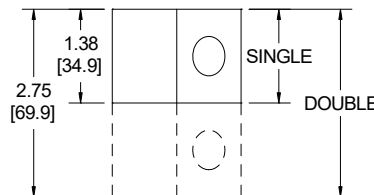
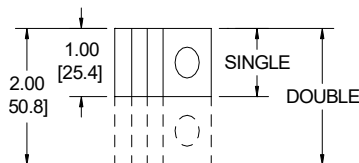
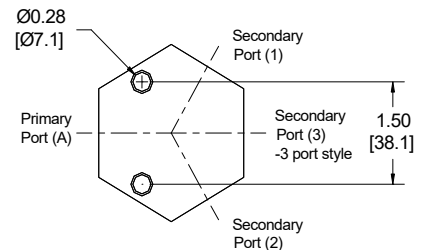
Size A



Size B



Size C



Units of Measure: inches [mm]

Notice: The information contained herein is, to the best of our knowledge, true, accurate and reliable. Since procedures and conditions under which these products may be used are beyond our control, no warranty, expressed or implied, is made to their performance.



Syndevco Inc.

Sheet: 230818

24205 Telegraph Rd - Southfield MI 48033

Toll Free: (800) 356-2839 Local: (248) 356-2839 Fax: (248) 356-0928

visit us at: www.syndevco.com



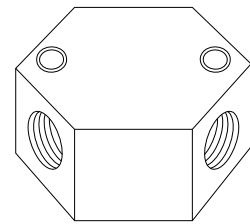
Wye Series Manifolds

PART NUMBER SYSTEM - 2 PORT

GENERIC PART NUMBER: AABBB/C-D
 SAMPLE PART NUMBER: 38382/2

Size	AA Primary Port Size		BBB Secondary Port Size		C Single or Double Stack		D Additional Options	
	A	12	1/8 NPT	122	1/8 NPT	None	Single	1
A	25	1/4 NPT	122 252	1/8 NPT 1/4 NPT				
A	38	3/8 NPT	122	1/8 NPT	2	Double		
			252	1/4 NPT				
			382	3/8 NPT				
B	50	1/2 NPT	122	1/8 NPT				
			252	1/4 NPT				
			382	3/8 NPT				
			502	1/2 NPT				
B	75	3/4 NPT	122	1/8 NPT				
			252	1/4 NPT				
			382	3/8 NPT				
			502	1/2 NPT				
C	75	3/4 NPT	752	3/4 NPT				

2 PORT
(View of secondary ports)

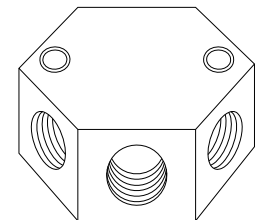


PART NUMBER SYSTEM - 3 PORT

GENERIC PART NUMBER: AABBB/C-D
 SAMPLE PART NUMBER: 38383/2

Size	AA Primary Port Size		BBB Secondary Port Size		C Single or Double Stack		D Additional Options	
	A	12	1/8 NPT	123	1/8 NPT	None	Single	1
A	25	1/4 NPT	123 253	1/8 NPT 1/4 NPT				
A	38	3/8 NPT	123	1/8 NPT	2	Double		Leave blank for none or call a Syndevco Representative
			253	1/4 NPT				
B	38	3/8 NPT	383	3/8 NPT				
B	50	1/2 NPT	123	1/8 NPT				
			253	1/4 NPT				
			383	3/8 NPT				
C	50	1/2 NPT	503	1/2 NPT				
B	75	3/4 NPT	123	1/8 NPT				
			253	1/4 NPT				
			383	3/8 NPT				
C	75	3/4 NPT	503	1/2 NPT				

3 PORT
(View of secondary ports)



Notice: The information contained herein is, to the best of our knowledge, true, accurate and reliable. Since procedures and conditions under which these products may be used are beyond our control, no warranty, expressed or implied, is made to their performance.



Syndevco Inc.

24205 Telegraph Rd - Southfield MI 48033
 Toll Free: (800) 356-2839 Local: (248) 356-2839 Fax: (248) 356-0928
 visit us at: www.syndevco.com

Syndevco Inc.
 Registered to ISO 9001:2015
 10002227 QM15



ENCLOSURE ASSEMBLIES POWER & CONTROL

POWER DISTRIBUTION ASSEMBLIES



Standard P Series

- P2H– Standard Capacity
- P3H– High Capacity



NEC Compliant Assemblies



Compact Assemblies

- GTP Series



G2D

- General Motors
style

CONTROL ASSEMBLIES

Control Panels



Junction Assemblies

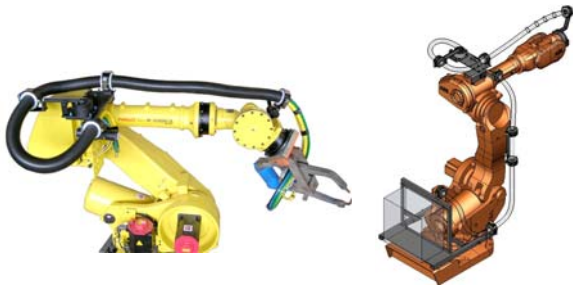
24205 Telegraph Rd. Southfield, MI 48033

Toll Free: 800-356-2839 Local: 248-356-2839 Fax: 248-356-0928

visit us at: www.syndevco.com



Robot Dressings/ Cable Management & Power Distribution



Engineered Solutions & Services



Support Assemblies & Manifolds



Clamps & Inserts



Cables & Grips



Brackets & Cable Management



Enclosure Assemblies

- Stability— over 50 years in business
- Experienced representation
- Timely response to customer requests/ requirements
- Deliveries— many stocked components to 15 day lead times
- Focused efforts— manufacturing

Syndevco



Terminal Blocks

24205 Telegraph Rd. Southfield, MI 48033
Toll Free: 800-356-2839 Local: 248-356-2839 Fax: 248-356-0928
visit us at: www.syndevco.com



Power Distribution Assemblies

(248) 356-2839

Power Distribution Assemblies designed to distribute line or welding power in industrial applications

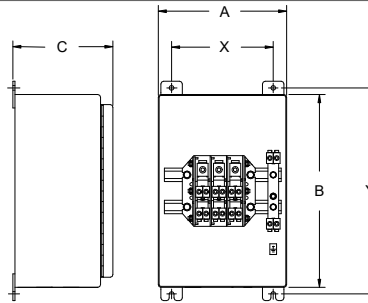
FEATURES

- Utilizes the MB-2 and MB-3 terminal blocks
- For use with single or 3 phase applications
- For use with multi-circuit applications
- Terminals orientated horizontally - standard
- Terminals orientated vertically - available - *Please ask a Syndevco representative*
- ANSI 61 Gray finish - standard
- Other color finishes - available - *Please ask a Syndevco representative*
- NEMA Type 12
- Conductor size range 500MCM - 6 AWG
- Ground bonding complies with current accepted NEC code
- 'DANGER 480/575 VOLTS' Labeling
- Compact enclosures
- Custom requirements welcome
- 'Value Added' services available - creating holes, inserting cord grips or strain relief, etc.
- Assemblies meeting current accepted NEC code available (sizes are typically larger than industry standard)
- Assemblies with UL-508A listing available (sizes may differ)



P2H Assemblies

- Uses MB2 series Terminal Blocks
- Sized to industry standards— see chart to the right
- Part Numbering— see reverse side

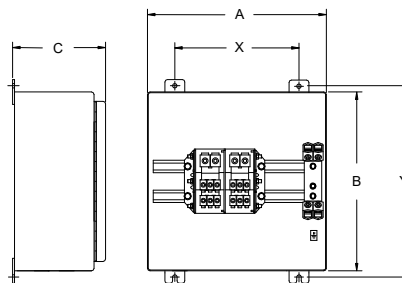


Number of Poles + Ground Bars	Overall			Mounting	
	Width	Height	Depth	Width	Height
	A	B	C	X	Y
2 - 5	12 [304.8]	18	9.35 [237.5]	9.5 [241.3]	19.25 [489.0]
6 - 9	18 [457.2]			12 [304.8]	
10 - 13	24 [609.6]	20		18 [457.2]	21.25 [539.8]
14 - 17	30 [762.0]			24 [609.6]	
Additional Poles	See a Syndevco representative for further options				



P3H Assemblies

- Uses MB3 series Terminal Blocks
- Sized to industry standards— see chart to the right
- Part Numbering— see reverse side



Number of Poles + Ground Bars	Overall			Mounting	
	Width	Height	Depth	Width	Height
	A	B	C	X	Y
2	12 [304.8]	18	9.35 [237.5]	9.5 [241.3]	19.25 [489.0]
3 - 4	18 [457.2]			12 [304.8]	
5 - 6	24 [609.6]	20		18 [457.2]	21.25 [539.8]
7 - 8	30 [762.0]			24 [609.6]	
Additional Poles	See a Syndevco representative for further options				



NEC Assemblies

- Uses MB2 or MB3 series Terminal Blocks
- Sized to current NEC Code— see a Syndevco representative for further information
- Part Numbering— see a Syndevco representative for further information

Notice: The information contained herein is, to the best of our knowledge, true, accurate and reliable. Since procedures and conditions under which these products may be used are beyond our control, no warranty, expressed or implied, is made to their performance.



Syndevco Inc.

Sheet: 230818

24205 Telegraph Rd - Southfield MI 48033

Toll Free: (800) 356-2839 Local: (248) 356-2839 Fax: (248) 356-0928

visit us at: www.syndevco.com



Power Distribution Assemblies

PART NUMBERING

GENERIC PART NUMBER: P2H-BBB-CC-DEF-G

SAMPLE PART NUMBER: P2H-220-04-B1B

P2H-	BBB	CC	D				E	F	G			
	Conductor Type	Number of Poles	Ground Type				Number of Grounds	Enclosure Color Exterior/ Interior/ Interior door	Additional Options			
			LINE		LOAD							
			QTY	WIRE RANGE	QTY	WIRE RANGE						
	Choose a Copper Number (XXX) from Chart on MB-2 SERIES POWER BLOCKS Catalog Sheet	Choose 01 - 30	0	No Grounds Required				0	No Grounds Required	B	ANSI61 Gray/ White/ White	Leave blank for none or see a Syndevco representative for further options
			A	2	1/OAWG-6 AWG	2	1/O AWG-6 AWG	Choose 1 - 9	See a Syndevco representative for further options		See a Syndevco representative for further options	
	See a Syndevco representative for further options	See a Syndevco representative for further options	B	2	1/OAWG-6 AWG	4	1/O AWG-6 AWG	See a Syndevco representative for further options				
			E	1	350MCM-1/O AWG	2	1/O AWG-6 AWG					
			F	1	350MCM-1/O AWG	4	1/O AWG-6 AWG					
			J	1	350MCM-1/O AWG	1	350MCM-1/O AWG					
			K	1	350MCM-1/O AWG	2	350MCM-1/O AWG					
			See a Syndevco representative for further options									

GENERIC PART NUMBER: P3H-BBB-CC-DEF-G

SAMPLE PART NUMBER: P3H-340-03-C1B

P3H-	BBB	CC	D				E	F	G			
	Conductor Type	Number of Poles	Ground Type				Number of Grounds	Enclosure Color Exterior/ Interior/ Interior door	Additional Options			
			LINE		LOAD							
			QTY	WIRE RANGE	QTY	WIRE RANGE						
	Choose a Copper Number (XXX) from Chart on MB-3 SERIES POWER BLOCKS Catalog Sheet	Choose 01 - 08	0	No Grounds Required				0	No Grounds Required	B	ANSI61 Gray/ White/ White	Leave blank for none or see a Syndevco representative for further options
			C	3	1/OAWG-6 AWG	3	1/O AWG-6 AWG	Choose 1 - 9	See a Syndevco representative for further options		See a Syndevco representative for further options	
	See a Syndevco representative for further options	See a Syndevco representative for further options	D	3	1/OAWG-6 AWG	6	1/O AWG-6 AWG	See a Syndevco representative for further options				
			G	2	350MCM-1/O AWG	3	1/O AWG-6 AWG					
			H	2	350MCM-1/O AWG	6	1/O AWG-6 AWG					
			L	2	350MCM-1/O AWG	2	350MCM-1/O AWG					
			M	2	350MCM-1/O AWG	4	350MCM-1/O AWG					
			See a Syndevco representative for further options									

Notice: The information contained herein is, to the best of our knowledge, true, accurate and reliable. Since procedures and conditions under which these products may be used are beyond our control, no warranty, expressed or implied, is made to their performance.



Syndevco Inc.

24205 Telegraph Rd - Southfield MI 48033

Toll Free: (800) 356-2839 Local: (248) 356-2839 Fax: (248) 356-0928

visit us at: www.syndevco.com

DQS Inc.
Syndevco Inc.
Registered to ISO 9001:2015
11002227 QM15



G2D Series (General Motors) Power Distribution Boxes

(248) 356-2839

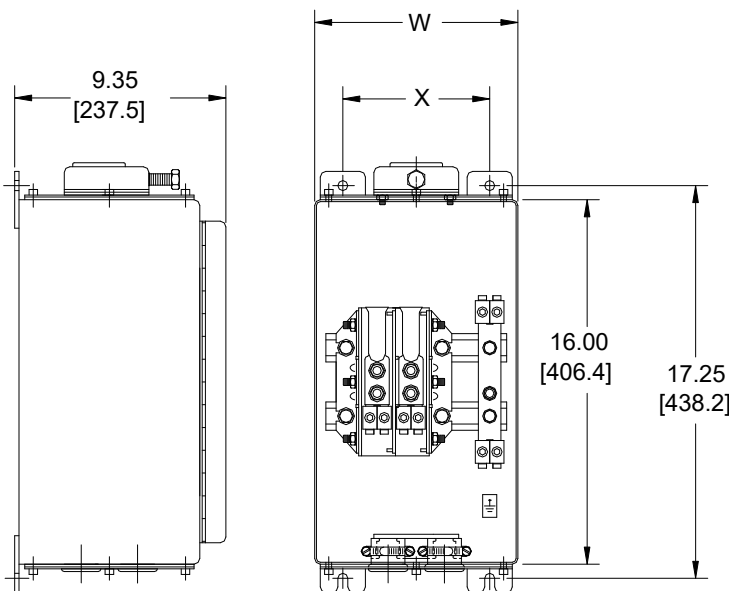
Built to GM standards – grounding for all line and load connections—uses MB-2 series power blocks

FEATURES

- Utilizes the MB-2 series power blocks
- ANSI 61 Gray standard color
- Unused entrance/exit holes sealed
- Grounding available for all line and load connections
- Choice of crimp or collar lugs on the line side
- Conductor size range 300MCM– 6 AWG
- ‘DANGER 480/575 VOLTS’ labeling
- Choice of strain relief for round or oval cable of various sizes
- One (1) to four (4) circuit enclosure standard
- Up to 4 transformers per circuit capacity



DIMENSIONS



1 Circuit (2 pole) Enclosure Shown

Number of Circuits (Number of Poles)	Width - inches [mm]	
	Overall	Mounting
	W	X
1 Circuit (2 pole)	9.00 [228.6]	6.50 [165.1]
2 Circuit (4 pole)	12.00 [304.8]	9.50 [241.3]
3 Circuit (6 pole)	17.00 [431.8]	11.00 [279.4]
4 Circuit (8 pole)	22.00 [558.8]	16.00 [406.4]

Units of measure: inches [mm]

Notice: The information contained herein is, to the best of our knowledge, true, accurate and reliable. Since procedures and conditions under which these products may be used are beyond our control, no warranty, expressed or implied, is made to their performance.



Syndevco Inc. Sheet: 230818
24205 Telegraph Rd - Southfield MI 48033
Toll Free: (800) 356-2839 Local: (248) 356-2839 Fax: (248) 356-0928
visit us at: www.syndevco.com



G2D Series (General Motors) Power Distribution Boxes

PART NUMBERING

GENERIC PART NUMBER: G2D-AAA-BB-CD-E
 SAMPLE PART NUMBERS: G2D-270-02-21

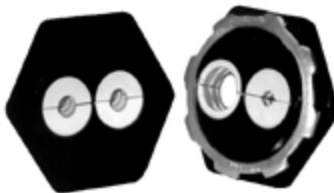
G2D-

AAA				BB		C		D		E		
CONDUCTOR TYPE				Number of Poles (number of circuits)		Type of Entrance Cable		# of Entrance Fittings		Additional Options		
QTY	LINE		LOAD						Not to exceed # of circuits			
	QTY	WIRE RANGE	QTY	WIRE RANGE					Unused hole will be sealed			
270	1	4/0 AWG Crimp Lug	2	1/0 AWG-6 AWG	02	2 Poles (1 circuit)	0	Not Specified (Solid Plate)	A	N/A use when option 0, 3, or 4 is chosen in previous column C	1	Indicates Solid Plate on Bottom of Enclosure
271	1	4/0 AWG Crimp Lug	4	1/0AWG-6 AWG	04	4 Poles (2 circuit)	1	BOC-19 Flat Oval (7080)				
280	1	4/0 AWG Crimp Lug	1	300 MCM-1/0 AWG	06	6 Poles (3 circuit)	2	BOC-31 Round (7090)	1	one		Leave blank for none or see a Syndevco Representative
284	1	4/0 AWG Crimp Lug	2	300 MCM-1/0 AWG	08	8 Poles (4 circuit)	3	2 AWG 3 cond. (Hat Grommets)	2	two		
210	2	1/0 AWG-6 AWG	2	1/0 AWG-6 AWG	See a Syndevco Representative for Further Options		4	Hole Pattern for Cage Bushing	3	three		
See a Syndevco Representative for Further Options						See a Syndevco Representative for Further Options		4	four			
								See a Syndevco Representative for Further Options				

Please see our Strain Relief products for further design solutions



3000 Series Strain Aids



2490 Series Split Bushings



7000 Series Cage Bushings

Notice: The information contained herein is, to the best of our knowledge, true, accurate and reliable. Since procedures and conditions under which these products may be used are beyond our control, no warranty, expressed or implied, is made to their performance.



Syndevco Inc.

24205 Telegraph Rd - Southfield MI 48033
 Toll Free: (800) 356-2839 Local: (248) 356-2839 Fax: (248) 356-0928
 visit us at: www.syndevco.com



GTP Series Power Distribution Boxes

(248) 356-2839

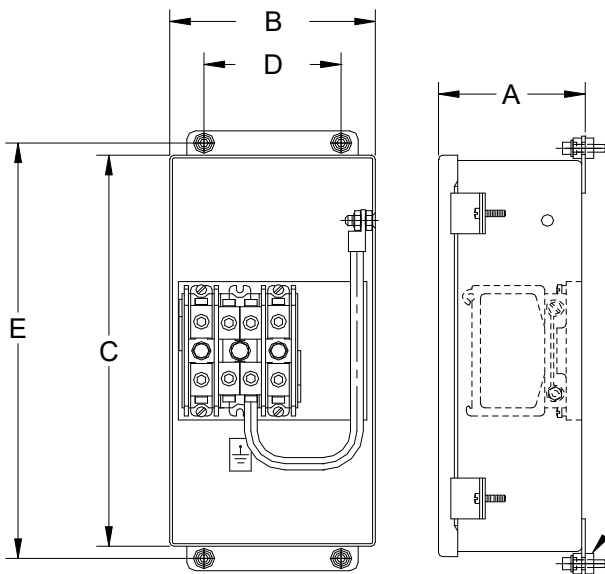
*Compact grounded power distribution
with removable insulated mounting feet
for transgun applications*

FEATURES

- Utilizes Compact Series Power Distribution Blocks
- ANSI 61 Gray standard color
- Ground terminal is bonded to the enclosure for safety
- Removable insulating feet to isolate robot from ground currents
- Conductor size range 300 MCM– 6 AWG
- Choice of conductor and ground terminals
- ‘DANGER 480/575 VOLTS’ labeling
- ‘Value Added’ services available– cord grips/ strain reliefs added, transgun cables, robotic dressout assistance, etc.



DIMENSIONS



Enclosure Type		Dimensions - in [mm]				
		Overall			Mounting	
		A	B	C	D	E
1	12 x 6 x 4	4.28 [108.7]	6.00 [152.4]	12.00 [304.8]	4.00 [101.6]	12.75 [323.9]
2	12 x 6 x 6	6.28 [159.5]	6.00 [152.4]	12.00 [304.8]	4.00 [101.6]	12.75 [323.9]
3	10 x 10 x 4	4.28 [108.7]	10.00 [254.0]	10.00 [254.0]	8.00 [203.2]	10.75 [273.1]

Removable insulating feet.

PART NUMBER SHOWN - GTP-SN12-ST3-1B

Notice: The information contained herein is, to the best of our knowledge, true, accurate and reliable. Since procedures and conditions under which these products may be used are beyond our control, no warranty, expressed or implied, is made to their performance.



Syndevco Inc.

Sheet: 230818

24205 Telegraph Rd - Southfield MI 48033

Toll Free: (800) 356-2839 Local: (248) 356-2839 Fax: (248) 356-0928

visit us at: www.syndevco.com



GTP Series Power Distribution Boxes

PART NUMBERING

GENERIC PART NUMBER: GTP-AAAB-CCC-DE-F

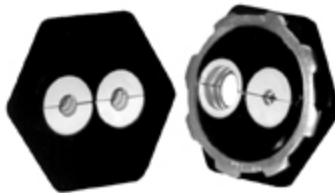
SAMPLE PART NUMBER: GTP-SN12-ST3-1B

GTP-	AAA				B		CCC				D		E		F	
	CONDUCTOR TYPE				NUMBER OF CONDUCTOR		GROUND TYPE				ENCLOSURE SIZE		ENCLOSURE COLOR		ADDITIONAL OPTIONS	
		LINE		LOAD		POLES			LINE		LOAD					
		QTY	WIRE RANGE	QTY	WIRE RANGE				QTY	WIRE RANGE	QTY	WIRE RANGE				
AM3	1	300MCM-1/O AWG	1	300MCM-1/O AWG	1	ONE	SM3	1	300MCM-1/O AWG	2	1/OAWG-6 AWG	1	12x6x4 Mounting Feet Opposite of hinge	B	ANSI61 Gray/GR/GR	Leave blank for none or see a Syndevco Representative
SM3	1	300MCM-1/O AWG	2	1/OAWG-6 AWG	2	TWO	ST3	2	1/OAWG-6 AWG	2	1/OAWG-6 AWG	2	12x6x6 Mounting Feet Opposite of hinge	See a Syndevco Representative for further options		
ST3	2	1/OAWG-6 AWG	2	1/OAWG-6 AWG	3	THREE	See a Syndevco Representative for further options				3	10x10x4 Mounting Feet Opposite of hinge				
SN1	1	1/O AWG-6 AWG	1	1/O AWG-6 AWG	See a Syndevco Rep for further options						See a Syndevco Representative for further options				See a Syndevco Representative for further options	
See a Syndevco Representative for further options																

Please see our Strain Relief products for further design solutions



3000 Series
Strain Aids



2490 Series
Split Bushings



7000 Series
Cage Bushings

Notice: The information contained herein is, to the best of our knowledge, true, accurate and reliable. Since procedures and conditions under which these products may be used are beyond our control, no warranty, expressed or implied, is made to their performance.



Syndevco Inc.

24205 Telegraph Rd - Southfield MI 48033

Toll Free: (800) 356-2839 Local: (248) 356-2839 Fax: (248) 356-0928

visit us at: www.syndevco.com

Syndevco Inc.
Registered to ISO 9001:2015
10002227 QM15



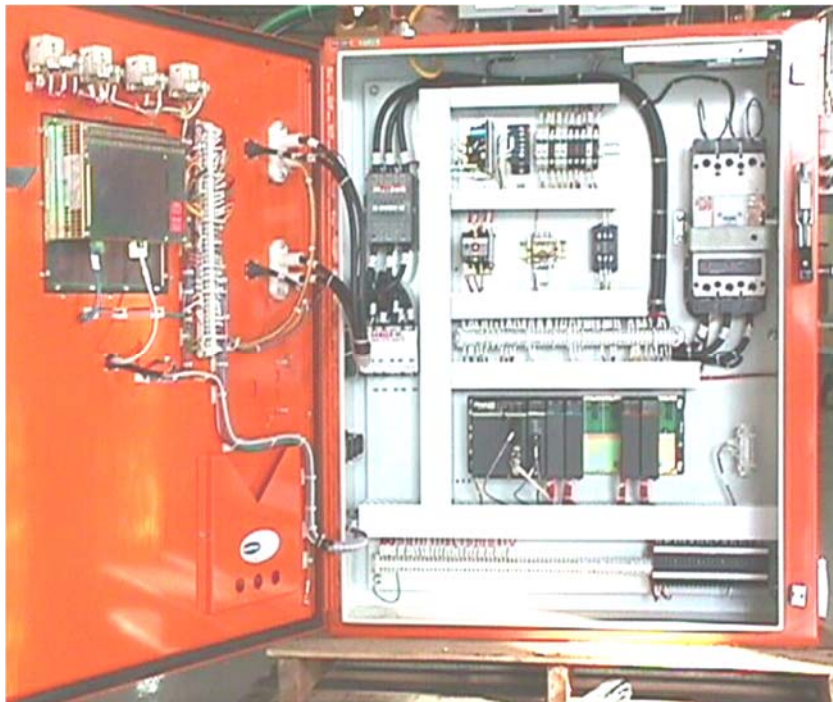
Control Panels & Junction Assemblies

(248) 356-2839

U/L and CU/L approved for Control Panels. Value-added junction assemblies

FEATURES

- U/L and CU/L approved for panel build
- Only panels required to have U/L and CU/L approvals will receive sticker
- Over 50 years of manufacturing experience
- Strict quality standards that ensure accurate build
- Hybrid panel build with electrical, pneumatic, hydraulic, paint, etc.
- Customization/ rework of existing panels available
- Most end user specifications known
- Field integration available



Notice: The information contained herein is, to the best of our knowledge, true, accurate and reliable. Since procedures and conditions under which these products may be used are beyond our control, no warranty, expressed or implied, is made to their performance.



DQS Inc.
Syndevco Inc.
Registered to ISO 9001:2015
10002227 QM15

Syndevco Inc.

Sheet: 230818

24205 Telegraph Rd - Southfield MI 48033

Toll Free: (800) 356-2839 Local: (248) 356-2839 Fax: (248) 356-0928

visit us at: www.syndevco.com



Intentionally
left
blank



TERMINAL BLOCKS

GROUNDS



SGA SERIES



HCG SERIES

COMPACT POWER BLOCKS



STAIR STEP SERIES



STAMPED SERIES



MACHINED SERIES

POWER BLOCKS



MB-2 SERIES



MB-3 SERIES

SPECIAL TERMINALS



T-TAP



CUSTOMIZED CONNECTORS

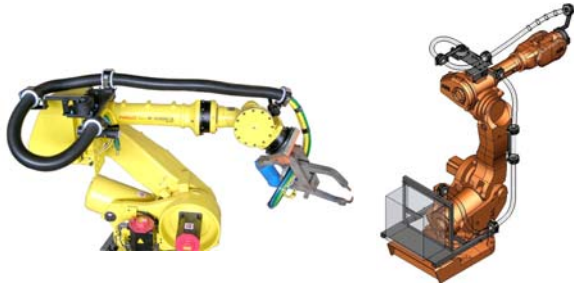
24205 Telegraph Rd. Southfield, MI 48033

Toll Free: 800-356-2839 Local: 248-356-2839 Fax: 248-356-0928

visit us at: www.syndevco.com



Robot Dressings/ Cable Management & Power Distribution



Engineered Solutions & Services



Support Assemblies & Manifolds



Clamps & Inserts



Cables & Grips



Brackets & Cable Management



Enclosure Assemblies

- Stability– over 50 years in business
- Experienced representation
- Timely response to customer requests/ requirements
- Deliveries– many stocked components to 15 day lead times
- Focused efforts– manufacturing

Syndevco



Terminal Blocks

24205 Telegraph Rd. Southfield, MI 48033
Toll Free: 800-356-2839 Local: 248-356-2839 Fax: 248-356-0928
visit us at: www.syndevco.com



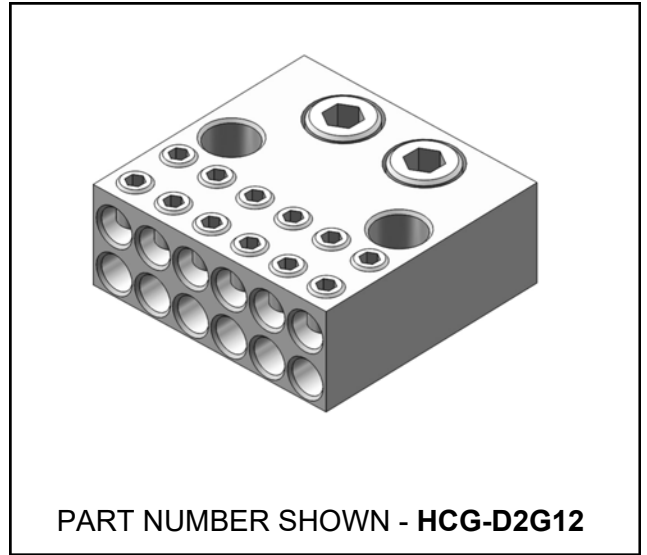
HCG Series High Capacity Grounds

(248) 356-2839

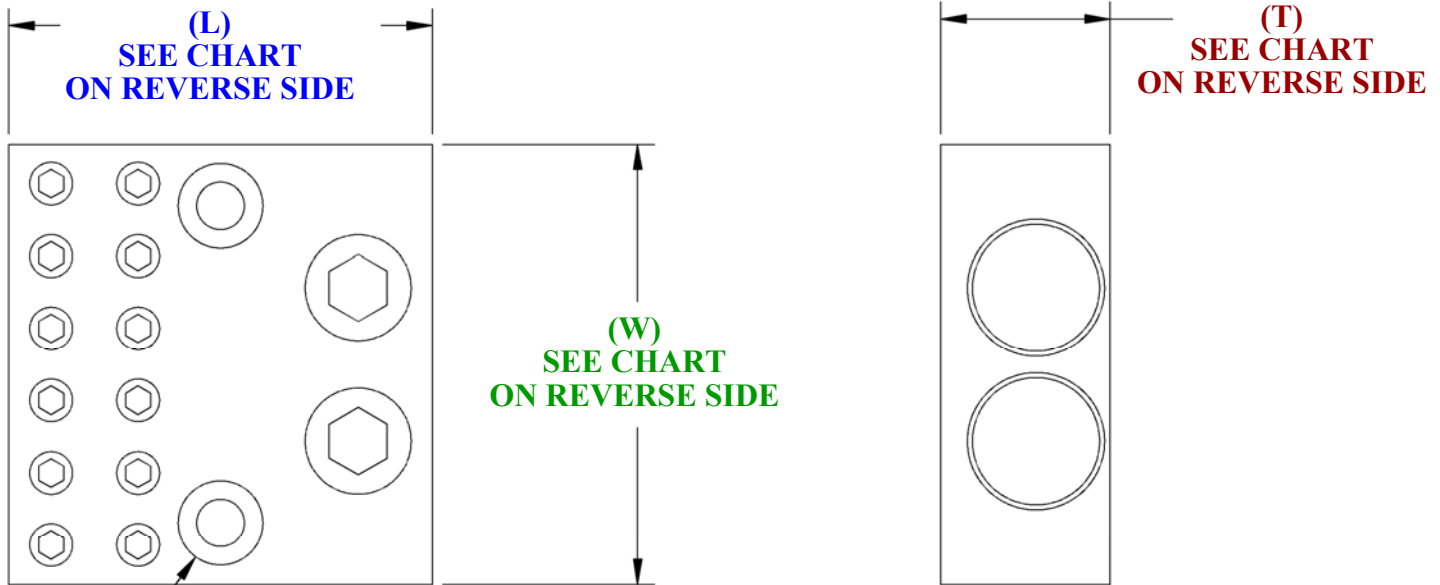
*High capacity copper ground bars,
perfect for single point grounding
where space is a premium*

FEATURES

- Copper construction
- Compact size
- Plated for corrosion resistance
- Single or dual line connections
- Up to 21 load connections
- Wire range from 500 MCM to 14 AWG
- Rated to 105 degrees Celsius
- “Value added” services are available



DIMENSIONS



FOR 1/4 OR M6
SOCKET HEAD BOLTS

PART NUMBER SHOWN - HCG-D2G12

Notice: The information contained herein is, to the best of our knowledge, true, accurate and reliable. Since procedures and conditions under which these products may be used are beyond our control, no warranty, expressed or implied, is made to their performance.



DQS Inc.
Syndevco Inc.
Registered to ISO 9001:2015
10002227 QM15

Syndevco Inc.

Sheet: 230818

24205 Telegraph Rd - Southfield MI 48033

Toll Free: (800) 356-2839 Local: (248) 356-2839 Fax: (248) 356-0928

visit us at: www.syndevco.com



HCG Series High Capacity Grounds

PART NUMBER SYSTEM

GENERIC PART NUMBER : HCG - **XXXXX** - Z

SAMPLE PART NUMBER : HCG - D1G08

HCG -	XXXXX	Z
	COPPER NUMBER	ADDITIONAL OPTIONS
	SEE CHART BELOW	LEAVE BLANK FOR NONE OR SEE A SYNDEVCO REPRESENTATIVE

LINE		LOAD		COPPER NUMBER XXXXX	WIDTH (W) inches (mm)	LENGTH (L) inches (mm)	THICKNESS (T) inches (mm)
#	WIRE RANGE	#	WIRE RANGE				
2	500 MCM - 4 AWG	2	500 MCM - 4 AWG	C2C02	2.10 (53.3)	3.00 (76.2)	1.25 (31.75)
		6	2/0 AWG - 14 AWG	C2E06	3.19 (81.0)		
		12	4 AWG - 14 AWG	C2H12	2.10 (53.3)		
		16	4 AWG - 14 AWG	C2H16	2.64 (67.1)		
1	500 MCM - 4 AWG	1	500 MCM - 4 AWG	C1C01	1.25 (31.8)	3.00 (76.2)	1.25 (31.75)
		2	350 MCM - 6 AWG	C1D02	1.80 (45.7)		
		4	2/0 AWG - 14 AWG	C1E04	2.14 (54.4)		
		6	2/0 AWG - 14 AWG	C1E06	3.19 (81.0)		
		6	2 AWG - 14 AWG	C1G06	1.32 (33.5)		
		8	2 AWG - 14 AWG	C1G08	1.75 (44.5)		
		12	4 AWG - 14 AWG	C1H12	2.00 (50.8)		
		10	6 AWG - 14 AWG	C1J10	1.50 (38.1)		
2	350 MCM - 6 AWG	2	350 MCM - 6 AWG	D2D02	1.80 (45.7)	2.50 (63.5)	1.00 (25.4)
		6	2/0 AWG - 14 AWG	D2E06	3.19 (81.0)		
		12	2 AWG - 14 AWG	D2G12	2.61 (66.3)		
		12	4 AWG - 14 AWG	D2H12	2.00 (50.8)		
		16	4 AWG - 14 AWG	D2H16	2.64 (67.1)		
		18	6 AWG - 14 AWG	D2J18	2.67 (67.8)		
1	350 MCM - 6 AWG	1	350 MCM - 6 AWG	D1D01	1.00 (25.4)	2.50 (63.5)	1.00 (25.4)
		2	2/0 AWG - 14 AWG	D1E02	1.10 (27.9)		
		4	2/0 AWG - 14 AWG	D1E04	2.14 (54.4)		
		6	2/0 AWG - 14 AWG	D1E06	3.19 (81.0)		
		4	2 AWG - 14 AWG	D1G04	1.00 (25.4)		
		6	2 AWG - 14 AWG	D1G06	1.32 (33.5)		
		8	2 AWG - 14 AWG	D1G08	1.75 (44.5)		
		6	4 AWG - 14 AWG	D1H06	1.03 (25.2)		
		8	4 AWG - 14 AWG	D1H08	1.36 (34.5)		
		12	4 AWG - 14 AWG	D1H12	2.00 (50.8)		
		10	6 AWG - 14 AWG	D1J10	1.50 (38.1)		
		15	8 AWG - 14 AWG	D1K15	1.24 (31.4)		
2	2/0 AWG - 14 AWG	2	2/0 AWG - 14 AWG	E2E02	1.20 (30.5)	2.50 (63.5)	1.00 (25.4)
		6	2 AWG - 14 AWG	E2G06	1.32 (33.5)		
		8	2 AWG - 14 AWG	E2G08	1.75 (44.5)		
		12	4 AWG - 14 AWG	E2H12	2.00 (50.8)		
		10	6 AWG - 14 AWG	E2J10	1.50 (38.1)		
		15	8 AWG - 14 AWG	E2K15	1.24 (31.5)		
		21	8 AWG - 14 AWG	E2K21	1.71 (43.4)		
1	2/0 AWG - 14 AWG	1	2/0 AWG - 14 AWG	E1E01	0.72 (18.3)	2.50 (63.5)	1.00 (25.4)
		4	2 AWG - 14 AWG	E1G04	0.90 (22.3)		
		6	2 AWG - 14 AWG	E1G06	1.32 (33.5)		
		8	2 AWG - 14 AWG	E1G08	1.75 (44.5)		
		4	4 AWG - 14 AWG	E1H04	0.72 (18.3)		
		10	6 AWG - 14 AWG	E1J10	1.50 (38.1)		
12	8 AWG - 14 AWG	E1K12	1.00 (25.4)				

Notice: The information contained herein is, to the best of our knowledge, true, accurate and reliable. Since procedures and conditions under which these products may be used are beyond our control, no warranty, expressed or implied, is made to their performance.



Syndevco Inc.

24205 Telegraph Rd - Southfield MI 48033

Toll Free: (800) 356-2839 Local: (248) 356-2839 Fax: (248) 356-0928

visit us at: www.syndevco.com

DQS Inc.
Syndevco Inc.
Registered to ISO 9001:2015
10002227 QM15



SGA Series Ground Bar

(248) 356-2839

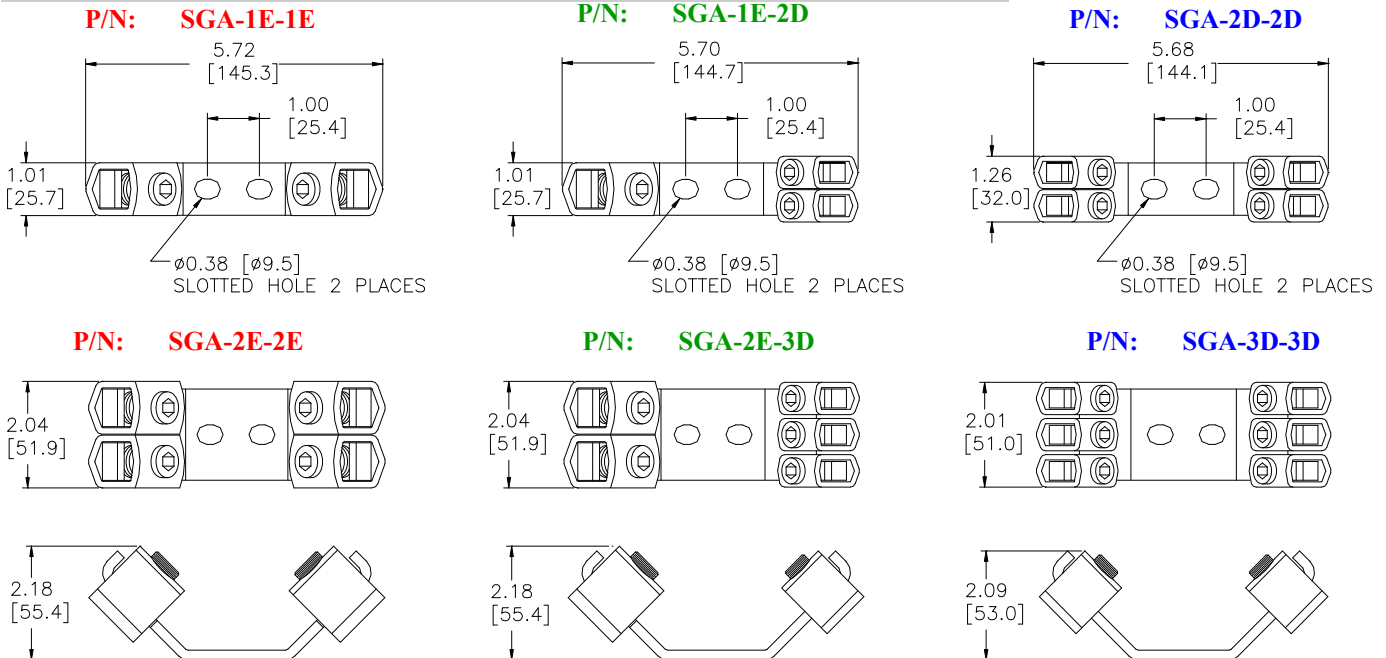
Multi-point ground bars to keep the integrity of the ground bond. Excellent next to disconnects for main feeds

FEATURES

- Copper construction
- 2 to 6 connections
- 300MCM to 6 AWG wire range
- Excellent to use next to primary disconnects as a bond point
- Keep all composite wires the same length
- High Capacity ground also available
- Power distribution assemblies available



PART NUMBERING & DIMENSIONS



Units of Measure: inches [mm]

Notice: The information contained herein is, to the best of our knowledge, true, accurate and reliable. Since procedures and conditions under which these products may be used are beyond our control, no warranty, expressed or implied, is made to their performance.



Syndevco Inc. Sheet: 230818
 24205 Telegraph Rd - Southfield MI 48033
 Toll Free: (800) 356-2839 Local: (248) 356-2839 Fax: (248) 356-0928
 visit us at: www.syndevco.com



SGA Series Ground Bar

CONNECTION SPECIFICATIONS

PART NUMBER	LINE		LOAD	
	QTY	WIRE RANGE	QTY	WIRE RANGE
SGA-1E-1E	1	300MCM - 1/O AWG	1	300MCM - 1/O AWG
SGA-2E-2E	2	300MCM - 1/O AWG	2	300MCM - 1/O AWG
SGA-1E-2D	1	300MCM - 1/O AWG	2	1/O AWG - 6 AWG
SGA-2E-3D	2	300MCM - 1/O AWG	3	1/O AWG - 6 AWG
SGA-2D-2D	2	1/O AWG - 6 AWG	2	1/O AWG - 6 AWG
SGA-3D-3D	3	1/O AWG - 6 AWG	3	1/O AWG - 6 AWG

Please see some of our other products for further design solutions

For clarity, picture shown w/o cover

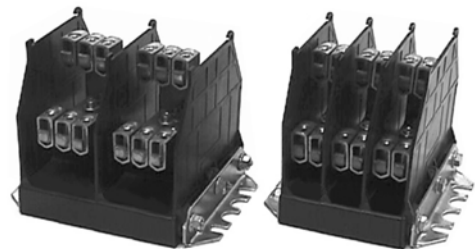


**HCG Series
High Capacity
Grounds**



**Stair Step Series
Compact Power
Blocks**

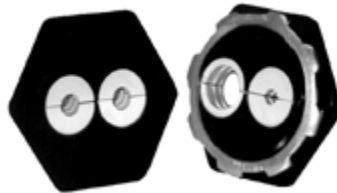
For clarity, picture shown w/o cover



**MB2 and MB3
Series Power
Blocks**



**3000 Series
Strain Aids**



**2490 Series
Split Bushings**



**7000 Series
Cage Bushings**

Notice: The information contained herein is, to the best of our knowledge, true, accurate and reliable. Since procedures and conditions under which these products may be used are beyond our control, no warranty, expressed or implied, is made to their performance.



Syndevco Inc.

24205 Telegraph Rd - Southfield MI 48033

Toll Free: (800) 356-2839 Local: (248) 356-2839 Fax: (248) 356-0928

visit us at: www.syndevco.com

DQS Inc.
Syndevco Inc.
Registered to ISO 9001:2015
10002227-QM15



Machined Series Compact Power Blocks

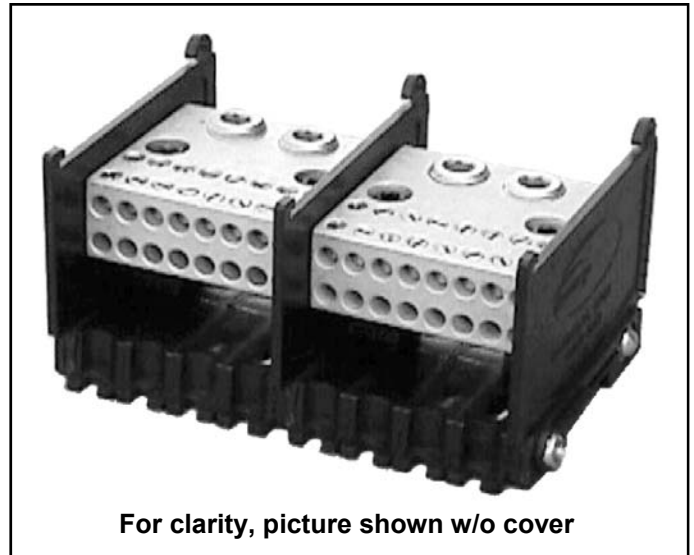
(248) 356-2839



Copper construction to accommodate 500 MCM thru 14 AWG in various configurations

FEATURES

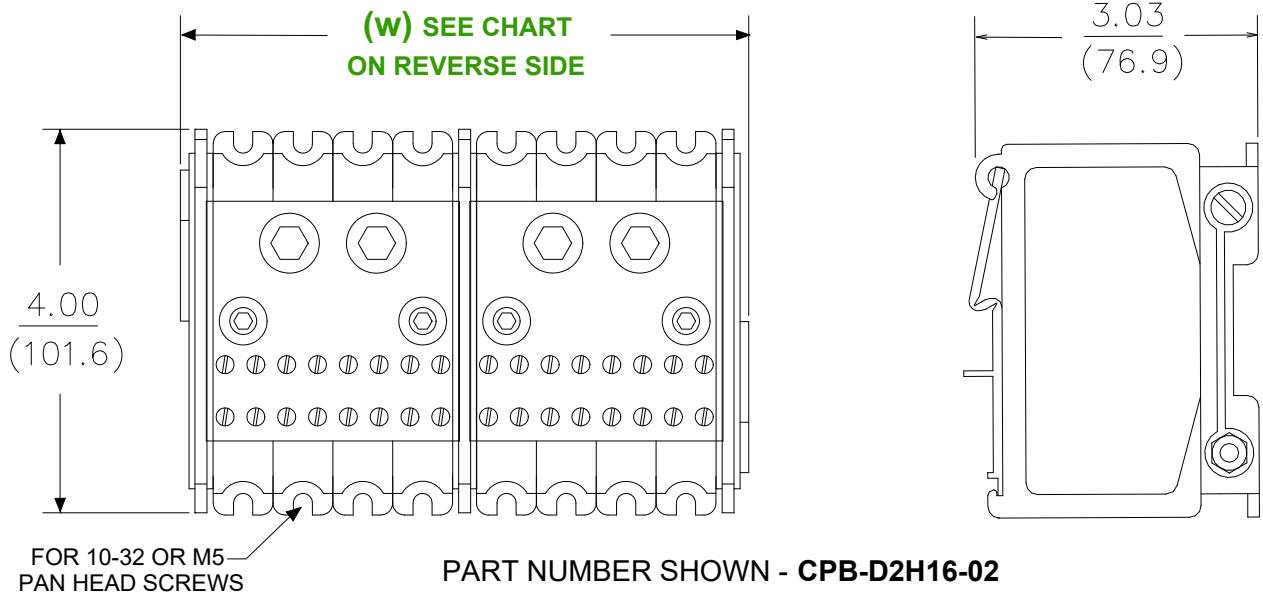
- UL recognized components, Guide XCFR2, File E68623
- C-UL recognized components, Guide XCFR8, File E68623
- Copper construction
- Compact size
- Units are completely assembled
- Units are supplied with hinged “dead front” cover
- Units are labeled with “DANGER 480/575 VOLTS”
- 600 VOLT rated
- Up to 760 AMP rating - continuous
- Rated to 105° Celsius
- 94VO rating (flammability - self extinguishing)
- “Value added services available”



For clarity, picture shown w/o cover

DIMENSIONS

UNIT OF MEASUREMENT $\frac{\text{in}}{(\text{mm})}$



Notice: The information contained herein is, to the best of our knowledge, true, accurate and reliable. Since procedures and conditions under which these products may be used are beyond our control, no warranty, expressed or implied, is made to their performance.



Syndevco Inc.

Sheet: 230818

24205 Telegraph Rd - Southfield MI 48033

Toll Free: (800) 356-2839 Local: (248) 356-2839 Fax: (248) 356-0928

visit us at: www.syndevco.com

DQS Inc.
Syndevco Inc.
Registered to ISO 9001:2015
10002227 QM15



Machined Series Compact Power Blocks

PART NUMBER SYSTEM

GENERIC PART NUMBER : CPB - **XXX** - YY - Z

SAMPLE PART NUMBER : CPB - D1G08 - 02



CPB -	XXXXX	YY	Z
	COPPER NUMBER	NUMBER OF POLES	ADDITIONAL OPTIONS
	SEE CHART BELOW	CHOOSE 01 - 99	LEAVE BLANK FOR NONE OR SEE A SYNDEVCO REPRESENTATIVE

LINE		LOAD		COPPER NUMBER XXXXX	WIDTH DIMENSION (W) INCHES (MM)				AMPS PER POLE (CONTINUOUS)
#	WIRE RANGE	#	WIRE RANGE		1 POLE	2 POLE	3 POLE	ADDITIONAL POLES	
2	500 MCM - 4 AWG	2	500 MCM - 4 AWG	C2C02	2.70 (68.6)	4.95 (125.7)	7.20 (182.9)	2.25 (57.2)	760
		6	2/0 AWG - 14 AWG	C2E06	3.80 (96.5)	7.26 (184.4)	10.74 (272.8)	3.47 (88.1)	
		12	4 AWG - 14 AWG	C2H12	2.70 (68.6)	4.95 (125.7)	7.20 (182.9)	2.25 (57.2)	
		16	4 AWG - 14 AWG	C2H16	3.33 (84.6)	6.20 (157.5)	9.08 (230.6)	2.88 (73.2)	
1	500 MCM - 4 AWG	1	500 MCM - 4 AWG	C1C01	1.83 (46.5)	3.20 (81.3)	4.58 (116.3)	1.38 (35.1)	380
		2	350 MCM - 6 AWG	C1D02	2.45 (62.2)	4.45 (113.0)	6.45 (163.8)	2.00 (50.8)	
		4	2/0 AWG - 14 AWG	C1E04	3.06 (77.7)	5.78 (146.8)	8.50 (215.9)	2.72 (69.1)	
		6	2/0 AWG - 14 AWG	C1E06	3.80 (96.5)	7.26 (184.4)	10.74 (272.8)	3.47 (88.1)	
		6	2 AWG - 14 AWG	C1G06	1.95 (49.5)	3.45 (87.6)	4.95 (125.7)	1.50 (38.1)	
		8	2 AWG - 14 AWG	C1G08	2.45 (62.2)	4.45 (113.0)	6.45 (163.8)	2.00 (50.8)	
		12	4 AWG - 14 AWG	C1H12	2.58 (65.5)	4.70 (119.4)	6.83 (173.5)	2.13 (54.0)	
		10	6 AWG - 14 AWG	C1J10	2.20 (55.9)	3.95 (100.3)	5.70 (144.8)	1.75 (44.5)	
2	350 MCM - 6 AWG	2	350 MCM - 6 AWG	D2D02	2.45 (62.2)	4.45 (113.0)	6.45 (163.8)	2.00 (50.8)	620
		6	2/0 AWG - 14 AWG	D2E06	3.80 (96.5)	7.26 (184.4)	10.74 (272.8)	3.47 (88.1)	
		12	2 AWG - 14 AWG	D2G12	3.20 (81.3)	5.95 (151.1)	8.70 (221.0)	2.75 (70.0)	
		12	4 AWG - 14 AWG	D2H12	2.58 (65.5)	4.70 (119.4)	6.83 (173.5)	2.13 (54.0)	
		16	4 AWG - 14 AWG	D2H16	3.33 (84.6)	6.20 (157.5)	9.08 (230.6)	2.88 (73.2)	
		18	6 AWG - 14 AWG	D2J18	3.18 (80.8)	6.02 (152.9)	8.86 (225.04)	2.84 (72.1)	
1	350 MCM - 6 AWG	1	350 MCM - 6 AWG	D1D01	1.83 (46.5)	3.20 (81.3)	4.58 (116.3)	1.38 (35.1)	310
		2	2/0 AWG - 14 AWG	D1E02	1.83 (46.5)	3.20 (81.3)	4.58 (116.3)	1.38 (35.1)	
		4	2/0 AWG - 14 AWG	D1E04	3.06 (77.7)	5.78 (146.8)	8.50 (215.9)	2.72 (69.1)	
		6	2/0 AWG - 14 AWG	D1E06	3.80 (96.5)	7.26 (184.4)	10.74 (272.8)	3.47 (88.1)	
		4	2 AWG - 14 AWG	D1G04	1.83 (46.5)	3.20 (81.3)	4.58 (116.3)	1.38 (35.1)	
		6	2 AWG - 14 AWG	D1G06	1.95 (49.5)	3.45 (87.6)	4.95 (125.7)	1.50 (38.1)	
		8	2 AWG - 14 AWG	D1G08	2.45 (62.2)	4.45 (113.0)	6.45 (163.8)	2.00 (50.8)	
		6	4 AWG - 14 AWG	D1H06	1.83 (46.5)	3.20 (81.3)	4.58 (116.3)	1.38 (35.1)	
		8	4 AWG - 14 AWG	D1H08	1.95 (49.5)	3.45 (87.6)	4.95 (125.7)	1.50 (38.1)	
		12	4 AWG - 14 AWG	D1H12	2.58 (65.5)	4.70 (119.4)	6.83 (173.5)	2.13 (54.0)	
		10	6 AWG - 14 AWG	D1J10	2.20 (55.9)	3.95 (100.3)	5.70 (144.8)	1.75 (44.5)	
		15	8 AWG - 14 AWG	D1K15	1.83 (46.5)	3.20 (81.3)	4.58 (116.3)	1.38 (35.1)	
2	2/0 AWG - 14 AWG	2	2/0 AWG - 14 AWG	E2E02	1.83 (46.5)	3.20 (81.3)	4.58 (116.3)	1.38 (35.1)	350
		6	2 AWG - 14 AWG	E2G06	1.95 (49.5)	3.45 (87.6)	4.95 (125.7)	1.50 (38.1)	
		8	2 AWG - 14 AWG	E2G08	2.45 (62.2)	4.45 (113.0)	6.45 (163.8)	2.00 (50.8)	
		12	4 AWG - 14 AWG	E2H12	2.58 (65.5)	4.70 (119.4)	6.83 (173.5)	2.13 (54.0)	
		10	6 AWG - 14 AWG	E2J10	2.20 (55.9)	3.95 (100.3)	5.70 (144.8)	1.75 (44.5)	
		15	8 AWG - 14 AWG	E2K15	1.83 (46.5)	3.20 (81.3)	4.58 (116.3)	1.38 (35.1)	
1	2/0 AWG - 14 AWG	1	2/0 AWG - 14 AWG	E1E01	1.33 (33.8)	2.20 (55.9)	3.08 (78.2)	1.75 (44.5)	175
		4	2 AWG - 14 AWG	E1G04	1.83 (46.5)	3.20 (81.3)	4.58 (116.3)	1.38 (35.1)	
		6	2 AWG - 14 AWG	E1G06	1.95 (49.5)	3.45 (87.6)	4.95 (125.7)	1.50 (38.1)	
		8	2 AWG - 14 AWG	E1G08	2.45 (62.2)	4.45 (113.0)	6.45 (163.8)	2.00 (50.8)	
		4	4 AWG - 14 AWG	E1H04	1.33 (33.8)	2.20 (55.9)	3.08 (78.2)	1.75 (44.5)	
		10	6 AWG - 14 AWG	E1J10	2.20 (55.9)	3.95 (100.3)	5.70 (144.8)	1.75 (44.5)	
		12	8 AWG - 14 AWG	E1K12	1.83 (46.5)	3.20 (81.3)	4.58 (116.3)	1.38 (35.1)	

Notice: The information contained herein is, to the best of our knowledge, true, accurate and reliable. Since procedures and conditions under which these products may be used are beyond our control, no warranty, expressed or implied, is made to their performance.



Syndevco Inc.

24205 Telegraph Rd - Southfield MI 48033

Toll Free: (800) 356-2839 Local: (248) 356-2839 Fax: (248) 356-0928

visit us at: www.syndevco.com



Stamped Series Compact Power Blocks

(248) 356-2839



Copper construction design for larger size wires with a collar to protect fine stranded wires.

FEATURES

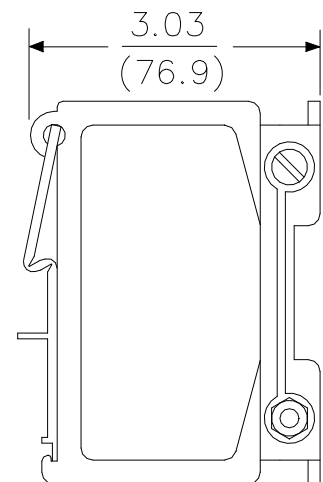
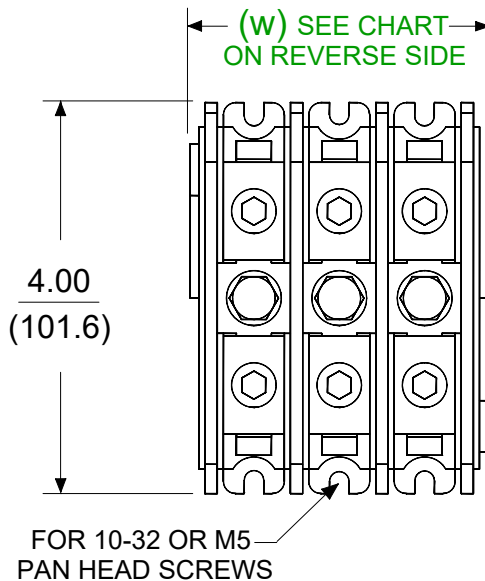
- UL recognized components, Guide XCFR2, File E68623
- C-UL recognized components, Guide XCFR8, File E68623
- Copper construction
- Compact size
- Designed with collars to protect fine stranded wires
- Units are completely assembled
- Units are supplied with hinged "dead front" cover
- Units are labeled with "DANGER 480/575 VOLTS"
- 94VO rating (flammability - self extinguishing)
- 600 VOLT rated
- Rated to 105° Celsius
- Up to 300 AMP rating - continuous
- Custom configurations readily available
- "Value added" services are available



For clarity, picture shown w/o cover or end barrier

DIMENSIONS

UNIT OF MEASUREMENT $\frac{\text{in}}{(\text{mm})}$



PART NUMBER SHOWN - CPB-SN-03

Notice: The information contained herein is, to the best of our knowledge, true, accurate and reliable. Since procedures and conditions under which these products may be used are beyond our control, no warranty, expressed or implied, is made to their performance.



Syndevco Inc.

Sheet: 230818

24205 Telegraph Rd - Southfield MI 48033

Toll Free: (800) 356-2839 Local: (248) 356-2839 Fax: (248) 356-0928

visit us at: www.syndevco.com

DQS Inc.
Syndevco Inc.
Registered to ISO 9001:2015
10002227 QM15



Stamped Series Compact Power Blocks

PART NUMBER SYSTEM



GENERIC PART NUMBER : CPB - **XXX** - YY - Z

SAMPLE PART NUMBER : CPB - ST3 - 02

CPB-	XXX	YY	Z
	COPPER NUMBER	NUMBER OF POLES	ADDITIONAL OPTIONS
	SEE CHART BELOW	CHOOSE 01 - 99	LEAVE BLANK FOR NONE OR SEE A SYNDEVCO REPRESENTATIVE

LINE		LOAD		COPPER NUMBER XXX	WIDTH DIMESION (w) inches (mm)				AMPS PER POLE (CONTINUOUS)
#	WIRE RANGE	#	WIRE RANGE		1 POLE	2 POLE	3 POLE	ADDITIONAL POLES	
1	300 MCM-1/O AWG	1	300 MCM - 1/O AWG	AM3	1.81 (45.9)	3.18 (80.8)	4.56 (115.7)	1.375 (34.9)	285
		2	1/O AWG - 6 AWG	SM3					
2	1/O AWG-4 AWG	2	1/O AWG - 6 AWG	ST3	1.81 (45.9)	3.18 (80.8)	4.56 (115.7)	1.375 (34.9)	300
1	1/O AWG-6 AWG	1	1/O AWG - 6 AWG	SN	1.31 (33.2)	2.18 (55.4)	3.06 (77.6)	0.875 (22.2)	150

Please see some of our other products for further design solutions

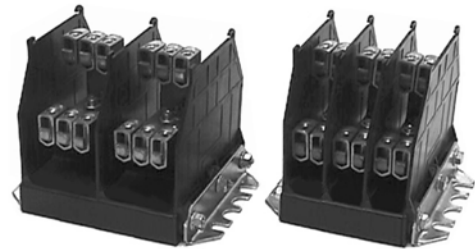
For clarity, pictures shown w/o cover



Machined Series



Stair Step Series



MB2 and MB3 Series

Notice: The information contained herein is, to the best of our knowledge, true, accurate and reliable. Since procedures and conditions under which these products may be used are beyond our control, no warranty, expressed or implied, is made to their performance.



Syndevco Inc.

24205 Telegraph Rd - Southfield MI 48033

Toll Free: (800) 356-2839 Local: (248) 356-2839 Fax: (248) 356-0928

visit us at: www.syndevco.com



Stair Step Series Compact Power Blocks

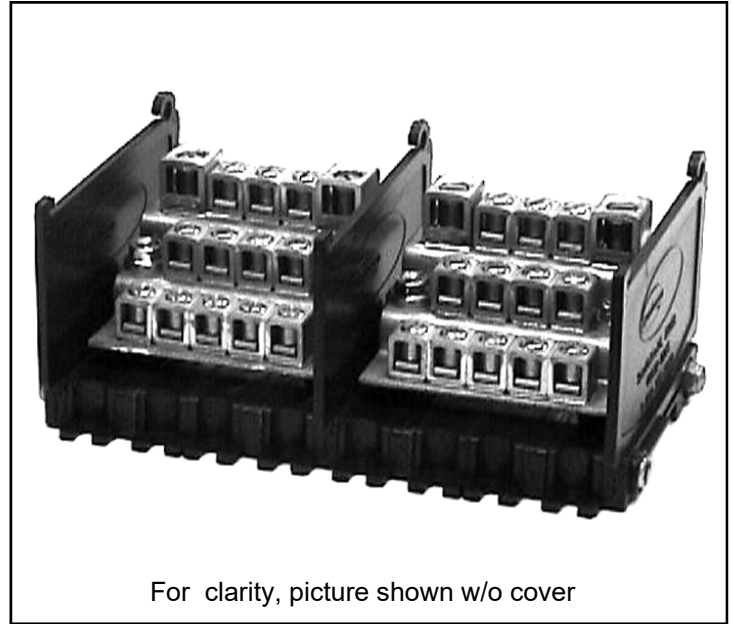
(248) 356-2839



Copper construction design with a pressure plate to protect fine stranded wires

FEATURES

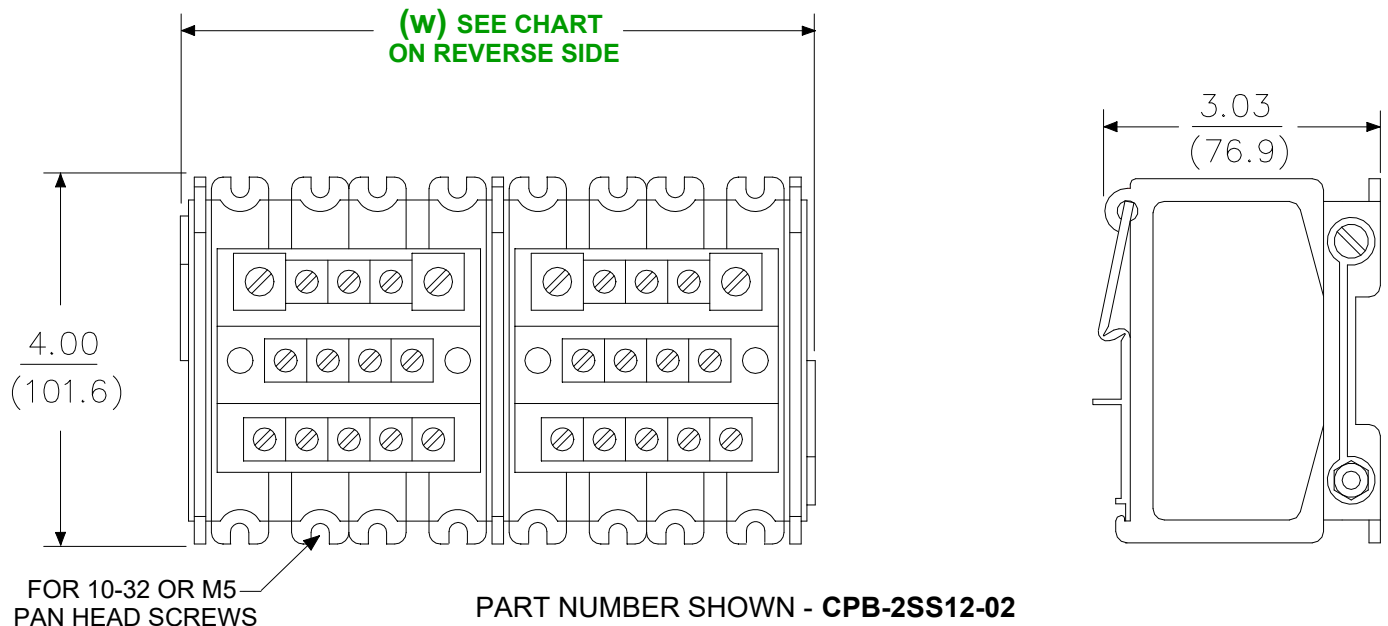
- UL recognized components, Guide XCFR2, File E68623
- C-UL recognized components, Guide XCFR8, File E68623
- Copper construction
- Compact size
- Designed with pressure plates to protect fine stranded wires
- Units are completely assembled
- Units are supplied with hinged "dead front" cover
- Units are labeled with "DANGER 480/575 VOLTS"
- 94VO rating (flammability - self extinguishing)
- 600 VOLT rated
- Rated to 105° Celsius
- Up to 460 AMP rating - continuous
- "Value added" services are available



For clarity, picture shown w/o cover

DIMENSIONS

UNIT OF MEASUREMENT $\frac{\text{in}}{(\text{mm})}$



Notice: The information contained herein is, to the best of our knowledge, true, accurate and reliable. Since procedures and conditions under which these products may be used are beyond our control, no warranty, expressed or implied, is made to their performance.



Syndevco Inc.

Sheet: 230818

24205 Telegraph Rd - Southfield MI 48033

Toll Free: (800) 356-2839 Local: (248) 356-2839 Fax: (248) 356-0928

visit us at: www.syndevco.com



Stair Step Series Compact Power Blocks

PART NUMBER SYSTEM

GENERIC PART NUMBER: CPB-XXXXX-YY-Z
 SAMPLE PART NUMBER: CPB-2SS12-02



Line		Load		Copper Number XXXXX	WIDTH DIMENSION (W) inches (mm)				Amps per Pole (continuous)
#	Wire Range	#	Wire Range		1 POLE	2 POLE	3 POLE	ADDITIONAL POLES	
2	4/0 AWG - 2 AWG	4	4 AWG - 18 AWG *	1SS04	1.81 (46.0)	3.28 (83.3)	4.75 (120.7)	1.47 (37.3)	230
		6	4 AWG - 18 AWG *	1SS06	2.57 (65.3)	4.69 (119.1)	6.81 (173.0)	2.12 (53.8)	
		12	4 AWG - 18 AWG *	1SS12	3.68 (93.5)	6.93 (176.0)	10.18 (258.6)	3.25 (82.6)	
		24	4 AWG - 18 AWG *	1SS24	5.56 (141.2)	10.68 (271.3)	15.80 (401.3)	5.12 (130.0)	
2	1/0 AWG - 4 AWG	6	4 AWG - 18 AWG *	2SS06	2.57 (65.3)	4.89 (119.1)	6.81 (173.0)	2.12 (53.8)	300
		12	4 AWG - 18 AWG *	2SS12	3.68 (93.5)	6.93 (176.0)	10.18 (258.6)	3.25 (82.6)	
		24	4 AWG - 18 AWG *	2SS24	5.56 (141.2)	10.68 (271.3)	15.80 (401.3)	5.12 (130.0)	
2	4 AWG - 18 AWG *	6	4 AWG - 18 AWG *	3SS06	2.57 (65.3)	4.69 (119.1)	6.81 (173.0)	2.12 (53.8)	170
		12	4 AWG - 18 AWG *	3SS12	3.68 (93.5)	6.93 (176.0)	10.18 (258.6)	3.25 (82.6)	
		24	4 AWG - 18 AWG *	3SS24	5.56 (141.2)	10.68 (271.3)	15.80 (401.3)	5.12 (130.0)	

* TWO (2) 14 AWG - 18 AWG WIRES CAN BE INSERTED IN EACH TERMINAL

Please see some of our other products for further design solutions



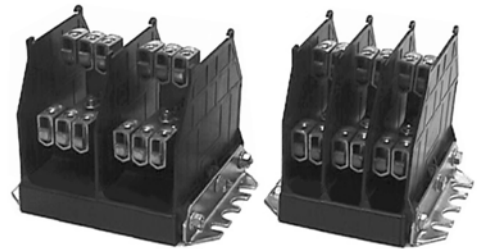
For clarity, pictures shown w/o cover

Machined Series



For clarity, pictures shown w/o end barrier and cover

Stamped Series



For clarity, pictures shown w/o cover

MB2 and MB3 Series

Notice: The information contained herein is, to the best of our knowledge, true, accurate and reliable. Since procedures and conditions under which these products may be used are beyond our control, no warranty, expressed or implied, is made to their performance.



Syndevco Inc.

24205 Telegraph Rd - Southfield MI 48033
 Toll Free: (800) 356-2839 Local: (248) 356-2839 Fax: (248) 356-0928
 visit us at: www.syndevco.com



MB-2 Series Power Blocks

(248) 356-2839



Copper construction design for larger size wires with a collar to protect fine stranded wires

FEATURES

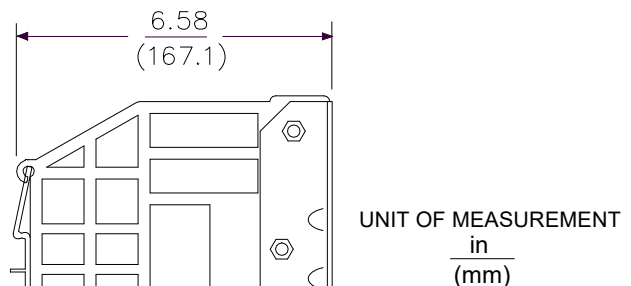
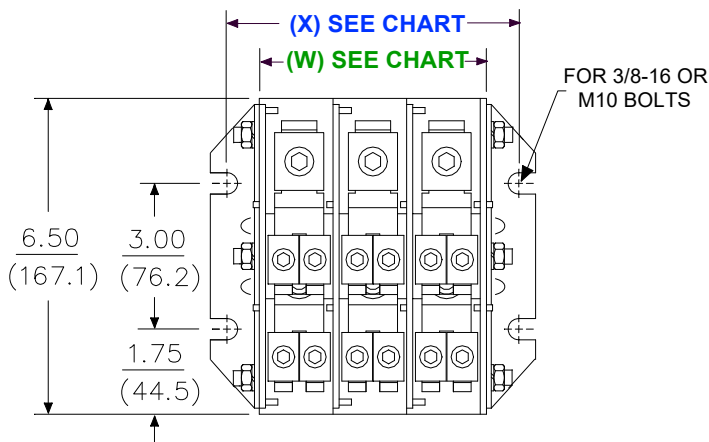
- UL recognized components, Guide XCFR2, File E68623
- C-UL recognized components, Guide XCFR8, File E68623
- Copper construction
- Designed with collars to protect fine stranded wires
- Single line connections
- Up to four (4) load connections
- Auxiliary connections are available for sensing
- Wire range from 500 MCM to 6 AWG
- Units are completely assembled
- Units are supplied with hinged “dead front” cover
- Units are labeled with “DANGER 480/575 VOLTS”
- 94VO rating (flammability—self extinguishing)
- 600 VOLT rated
- Rated to 105° Celsius
- Up to 380 AMP rating - continuous
- Custom configurations readily available
- “value added” services available



DIMENSIONS

BODY WIDTH DIMENSION (W) inches (mm)			
1 POLE	2 POLE	3 POLE	ADDITIONAL POLES
2.11 (53.6)	3.61 (91.7)	5.11 (129.8)	1.50 (38.1)

MOUNTING WIDTH DIMENSION (X) inches (mm)			
1 POLE	2 POLE	3 POLE	ADDITIONAL POLES
3.00 (76.2)	4.50 (114.3)	6.00 (152.4)	1.50 (38.1)



PART NUMBER SHOWN - MB-221-03

Notice: The information contained herein is, to the best of our knowledge, true, accurate and reliable. Since procedures and conditions under which these products may be used are beyond our control, no warranty, expressed or implied, is made to their performance.



Syndevco Inc.

Sheet: 230818

24205 Telegraph Rd - Southfield MI 48033

Toll Free: (800) 356-2839 Local: (248) 356-2839 Fax: (248) 356-0928

visit us at: www.syndevco.com



MB-2 Series Power Blocks

PART NUMBER SYSTEM



Generic Part Number: MB-~~XXX~~-YY-Z
 Sample Part Number: MB-220-03

MB-	XXX	YY	Z
	Copper Number	Number of Poles	Additional Options
	See Chart Below	01 - 99	Leave Blank for none or see a Syndevco Representative for further options

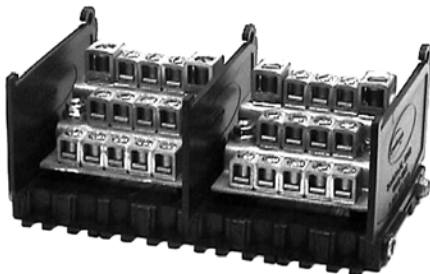
Line		Load		Copper Number	Amps per Pole (continuous)
#	Wire Range	#	Wire Range		
1	500 MCM - 2/O AWG	2	500 MCM - 2/O AWG	267 *	380
		1		260	
		2	300 MCM - 1/O AWG	254 *	
		1		250	
		4	1/O AWG - 6 AWG	231 *	
		2		230	
1	300 MCM - 1/O AWG	2	300 MCM - 1/O AWG	244 *	310
		1		240	
		4	1/O AWG - 6 AWG	221 *	
		2		220	
2	1/O AWG - 6 AWG	4	1/O AWG - 6 AWG	211 *	300
		2		210	

* Can be provided with auxillary contacts for wire ranges:

- 1/O AWG - 6 AWG
- 4 AWG - 18 AWG

See a Syndevco representative for part numbering

Please see some of our other products for further



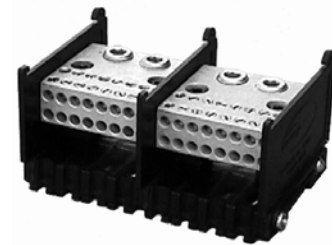
For clarity, picture shown w/o cover

Stair Step Series



For clarity, picture shown w/o cover

Stamped Series



For clarity, picture shown w/o cover

Machined Series

Notice: The information contained herein is, to the best of our knowledge, true, accurate and reliable. Since procedures and conditions under which these products may be used are beyond our control, no warranty, expressed or implied, is made to their performance.



Syndevco Inc.

24205 Telegraph Rd - Southfield MI 48033
 Toll Free: (800) 356-2839 Local: (248) 356-2839 Fax: (248) 356-0928
 visit us at: www.syndevco.com



MB-3 Series Power Blocks

(248) 356-2839



Copper construction designed for extra capacity with a collar to protect fine stranded wires

FEATURES

- UL recognized components, Guide XCFR2, File E68623
- C-UL recognized components, Guide XCFR8, File E68623
- Copper construction
- Designed with collars to protect fine stranded wires
- Single line connections
- Up to four (6) load connections
- Auxiliary connections are available for sensing
- Wire range from 500 MCM to 6 AWG
- Units are completely assembled
- Units are supplied with hinged “dead front” cover
- Units are labeled with “DANGER 480/575 VOLTS”
- 94VO rating (flammability—self extinguishing)
- 600 VOLT rated
- Rated to 105° Celsius
- Up to 400 AMP rating - continuous
- Custom configurations readily available
- “value added” services available

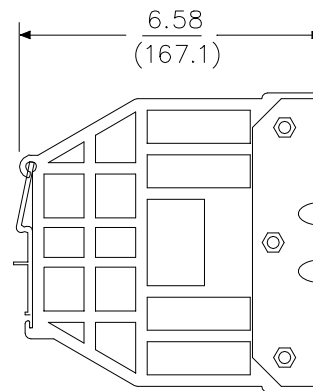
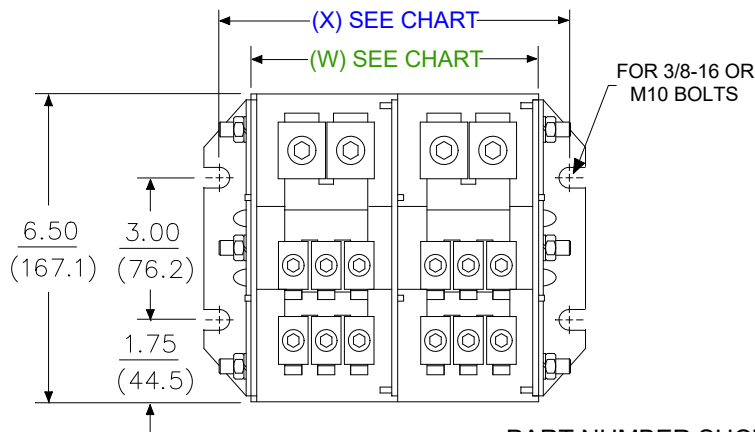


For clarity, picture shown w/o cover

DIMENSIONS

BODY WIDTH DIMENSION (W) inches (mm)			
1 POLE	2 POLE	3 POLE	ADDITIONAL POLES
3.65 (92.7)	6.65 (168.9)	9.65 (245.1)	3.00 (76.2)

MOUNTING WIDTH DIMENSION (X) inches (mm)			
1 POLE	2 POLE	3 POLE	ADDITIONAL POLES
4.50 (114.3)	7.50 (190.5)	10.50 (266.7)	3.00 (76.2)



UNIT OF MEASUREMENT
in
(mm)

PART NUMBER SHOWN - MB-311-02

Notice: The information contained herein is, to the best of our knowledge, true, accurate and reliable. Since procedures and conditions under which these products may be used are beyond our control, no warranty, expressed or implied, is made to their performance.



Syndevco Inc.

Sheet: 230818

24205 Telegraph Rd - Southfield MI 48033

Toll Free: (800) 356-2839 Local: (248) 356-2839 Fax: (248) 356-0928

visit us at: www.syndevco.com



MB-3 Series Power Blocks

PART NUMBER SYSTEM



Generic Part Number: MB-XXX-YY-Z

Sample Part Number: MB-340-03

MB -	XXX	YY	Z
	Copper Number	Number of Poles	Additional Options
	See Chart Below	01 - 99	Leave Blank for none or see a Syndevco Representative for further options

Line		Load		Copper Number	Amps per Pole (continuous)
#	Wire Range	#	Wire Range		
1	500 MCM - 2/O AWG	4	300 MCM - 1/O AWG	344 *	380
		2		340	
		6	1/O AWG - 6 AWG	331 *	
		3		330	
2	300 MCM - 1/O AWG	4	300 MCM - 1/O AWG	324 *	400
		2		320	
		6	1/O AWG - 6 AWG	311 *	
		3		310	

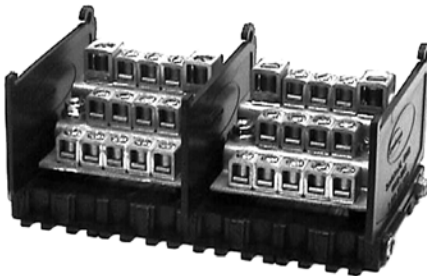
* Can be provided with auxillary contacts for wire ranges:

- 1/O AWG - 6 AWG

- 4 AWG - 18 AWG

See a Syndevco representative for part numbering

PLEASE SEE OUR OTHER POWER DISTRIBUTION BLOCKS FOR FURTHER DESIGN SOLUTIONS



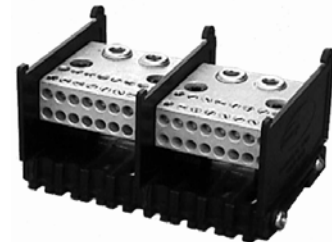
For clarity, picture shown w/o cover

Stair Step Series



For clarity, picture shown w/o cover

Stamped Series



For clarity, picture shown w/o cover

Machined Series

Notice: The information contained herein is, to the best of our knowledge, true, accurate and reliable. Since procedures and conditions under which these products may be used are beyond our control, no warranty, expressed or implied, is made to their performance.



Syndevco Inc.

24205 Telegraph Rd - Southfield MI 48033

Toll Free: (800) 356-2839 Local: (248) 356-2839 Fax: (248) 356-0928

visit us at: www.syndevco.com

Syndevco Inc.
Registered to ISO 9001:2015
10002227 QM15